



Chipsmall Limited consists of a professional team with an average of over 10 year of expertise in the distribution of electronic components. Based in Hongkong, we have already established firm and mutual-benefit business relationships with customers from,Europe,America and south Asia,supplying obsolete and hard-to-find components to meet their specific needs.

With the principle of "Quality Parts,Customers Priority,Honest Operation,and Considerate Service",our business mainly focus on the distribution of electronic components. Line cards we deal with include Microchip,ALPS,ROHM,Xilinx,Pulse,ON,Everlight and Freescale. Main products comprise IC,Modules,Potentiometer,IC Socket,Relay,Connector.Our parts cover such applications as commercial,industrial, and automotives areas.

We are looking forward to setting up business relationship with you and hope to provide you with the best service and solution. Let us make a better world for our industry!



Contact us

Tel: +86-755-8981 8866 Fax: +86-755-8427 6832

Email & Skype: info@chipsmall.com Web: www.chipsmall.com

Address: A1208, Overseas Decoration Building, #122 Zhenhua RD., Futian, Shenzhen, China

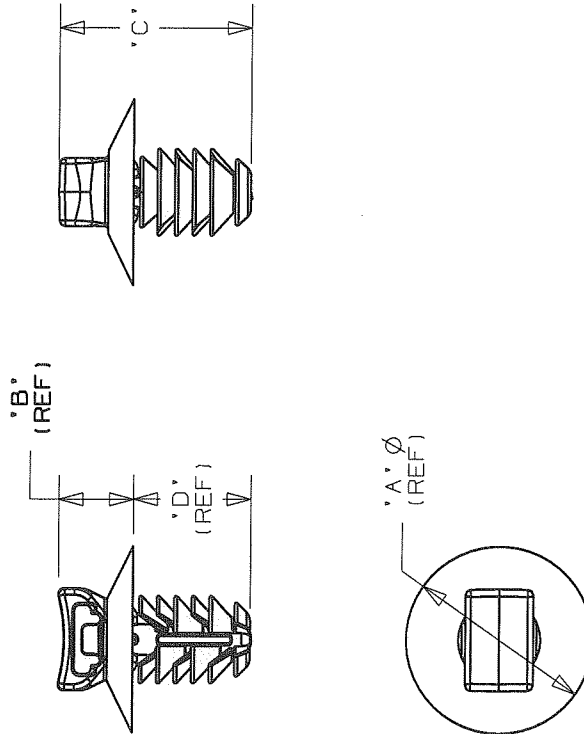


THIS COPY IS PROVIDED ON A RESTRICTED BASIS AND IS NOT TO BE USED IN ANY WAY DETRIMENTAL TO THE INTERESTS OF PANDUIT CORPORATION.

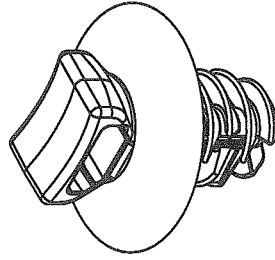
PANDUIT PART NUMBER	USED WITH CABLE TIES	DIMENSIONS			MATERIAL	WEIGHT grams/100pcs
		'A' (REF)	'B' (REF)	'C'		
PUM-071--30	M, I, S	16.5	6.6	16.9	HEAT STABILIZED NYLON 6/6 BLACK	44.35

NOTES:

- SEE CURRENT PRICE SHEET FOR PART NUMBER SUFFIX DESIGNATION FOR PACKAGE SIZE, AND COLOR.
- (*) DIMENSIONAL VARIANCE IS POSSIBLE DUE TO MOLDING PROCESS RELATED SINK MARKS.
- APPLICATION SPECIFICATION:
HOLE DIAMETER: 6.3 - 7.1 mm
PANEL THICKNESS: 0.8 - 7.0 mm



SCALE 2:1



CAD FILENAME/LAYERS

G03151BB_DC_GB0239MJ/10B

PANDUIT
CORP.

TINLEY PARK, ILLINOIS

PUM-071--30
PUSH UMBRELLA MOUNT 071

UNLESS OTHERWISE SPECIFIED, ALL DIMENSIONS ARE METRIC TOLERANCE: ±0.5MM

DRAWN BY TMSA
DATE 8-11-06
CHK'D KLN

SCALE 1:1 UNLESS NOTED
DRAWING NO. GB0239MJ
DWG A
SIZE

REV	DATE	BY	CHK	DESCRIPTION	ECN	R	R	CUST	SUP
10B	9/26/08	PSG		ADDED, REMOVED, AND RENAMED DIMENSIONS	GB0239MJ		10B	KLN	
10A	8/22/08	PSG		REMOVED RIB FROM HEAD, UPDATED FILE NAME AND CHANGED REV TO TC REV STYLE	GB0239MJ		10A		
R	8-11-06	TMSA		INITIAL RELEASE	GB0239MJ		R		