



Chipsmall Limited consists of a professional team with an average of over 10 year of expertise in the distribution of electronic components. Based in Hongkong, we have already established firm and mutual-benefit business relationships with customers from,Europe,America and south Asia,supplying obsolete and hard-to-find components to meet their specific needs.

With the principle of “Quality Parts,Customers Priority,Honest Operation,and Considerate Service”,our business mainly focus on the distribution of electronic components. Line cards we deal with include Microchip,ALPS,ROHM,Xilinx,Pulse,ON,Everlight and Freescale. Main products comprise IC,Modules,Potentiometer,IC Socket,Relay,Connector.Our parts cover such applications as commercial,industrial, and automotives areas.

We are looking forward to setting up business relationship with you and hope to provide you with the best service and solution. Let us make a better world for our industry!



Contact us

Tel: +86-755-8981 8866 Fax: +86-755-8427 6832

Email & Skype: info@chipsmall.com Web: www.chipsmall.com

Address: A1208, Overseas Decoration Building, #122 Zhenhua RD., Futian, Shenzhen, China

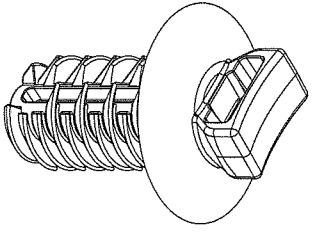
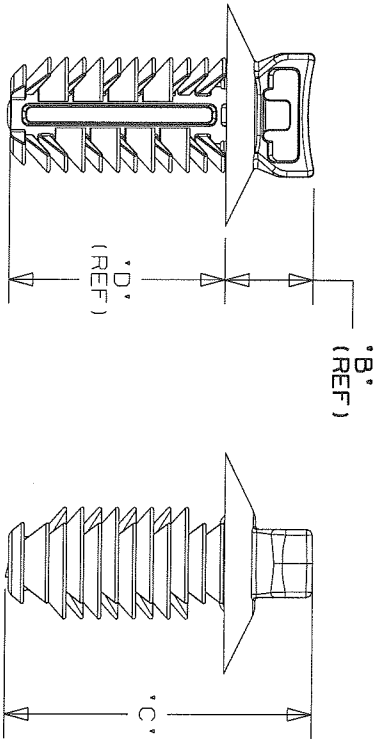
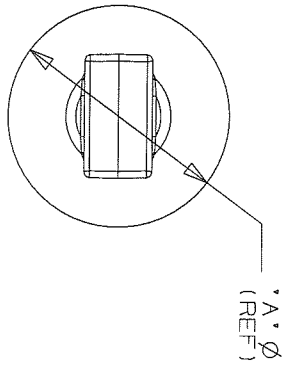


THIS COPY IS PROVIDED ON A RESTRICTED BASIS AND IS NOT TO BE USED IN ANY WAY DETRIMENTAL TO THE INTERESTS OF PANDUIT CORPORATION.

PANDUIT PART NUMBER	USED WITH CABLE TIES	DIMENSIONS					MATERIAL	WEIGHT grams/100pcs
		'A' (REF)	'B' (REF)	'C'	'D' (REF)			
PUM-925--30	M, I, S, LH, H	19.6	6.6	26.7	19.1	HEAT STABILIZED NYLON 6/6 BLACK	116.4	

NOTES:

- SEE CURRENT PRICE SHEET FOR PART NUMBER SUFFIX DESIGNATION FOR PACKAGE SIZE, AND COLOR.
- (*) DIMENSIONAL VARIANCE IS POSSIBLE DUE TO MOLDING PROCESS RELATED SINK MARKS.
- APPLICATION SPECIFICATION:
HOLE DIAMETER: 8.8 - 9.3 mm
PANEL THICKNESS: 1.0 - 16.0 mm



SCALE 1.5:1

CAD FILENAME/LAYERS
G03151BC_DC_GB0239MO/09B
PANDUIT
CORP.
TINLEY PARK, ILLINOIS

PUM-925--30
PUSH UMBRELLA MOUNT 925

UNLESS OTHERWISE SPECIFIED, ALL DIMENSIONS ARE METRIC
TOLERANCE: ±0.5MM

REV	DATE	BY	CHK	DESCRIPTION	ECN	R	CUST	SUP
09B	9-26-08	PSG		ADDED, & RENAMED DIMENSIONS	GB0239MO		09B	
09A	8-22-08	PSG		REMOVED 2 DIM, REMOVED RIB FROM HEAD, UPDATED FILE NAME AND CHANGED REV STYLE	GB0239MO		09A	
R	12-29-06	TMSA		INITIAL RELEASE	GB0239MO	R		

DRAWN BY TMSA	MAT'L:	SCALE 1.5:1 UNLESS NOTED
DATE 12-29-06	SEE TABLE	DWG GB0239MO
CHK'D KLN		DWG A SIZE