



Chipsmall Limited consists of a professional team with an average of over 10 year of expertise in the distribution of electronic components. Based in Hongkong, we have already established firm and mutual-benefit business relationships with customers from,Europe,America and south Asia,supplying obsolete and hard-to-find components to meet their specific needs.

With the principle of "Quality Parts,Customers Priority,Honest Operation,and Considerate Service",our business mainly focus on the distribution of electronic components. Line cards we deal with include Microchip,ALPS,ROHM,Xilinx,Pulse,ON,Everlight and Freescale. Main products comprise IC,Modules,Potentiometer,IC Socket,Relay,Connector.Our parts cover such applications as commercial,industrial, and automotives areas.

We are looking forward to setting up business relationship with you and hope to provide you with the best service and solution. Let us make a better world for our industry!



Contact us

Tel: +86-755-8981 8866 Fax: +86-755-8427 6832

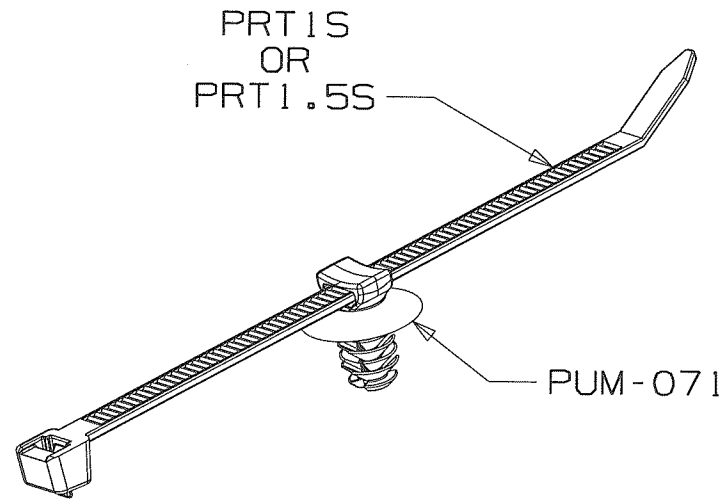
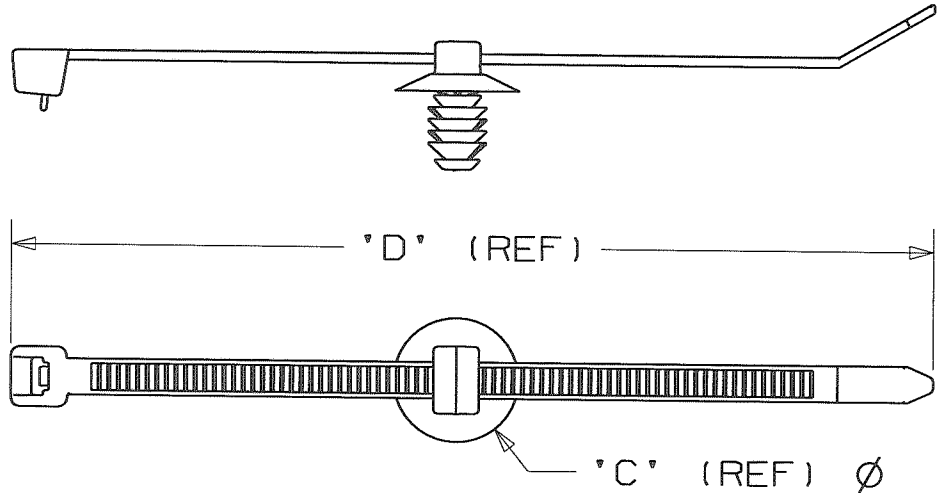
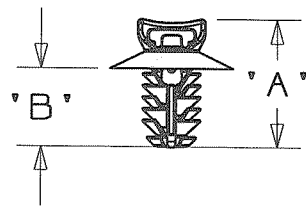
Email & Skype: info@chipsmall.com Web: www.chipsmall.com

Address: A1208, Overseas Decoration Building, #122 Zhenhua RD., Futian, Shenzhen, China



THIS COPY IS PROVIDED ON A RESTRICTED BASIS AND IS NOT TO BE USED IN ANY WAY DETRIMENTAL TO THE INTERESTS OF PANDUIT CORP.

PANDUIT PART NUMBER	CABLE TIE			PUSH MOUNT MATERIAL	DIMENSIONS				COLOR	WEIGHT grams/100pcs
	MIN TENSILE	MAX BUNDLE	MATERIAL		'A'	'B'	'C' (REF)	'D' (REF)		
PUM071-RIS-_30	50 LBS (222 N)	1.0 " (51 MM)	NYLON 6.6 WEATHER RESISTANT BLACK	NYLON 6.6 HEAT STABILIZED BLACK	16.9	10.4	16.5	122	BLACK	133
PUM071-R15S-_30	50 LBS (222 N)	1.5 " (51 MM)	NYLON 6.6 HEAT STABILIZED BLACK	NYLON 6.6 HEAT STABILIZED BLACK	16.9	10.4	16.5	160	BLACK	156



- NOTES:
- SEE CURRENT PRICE SHEET FOR PART NUMBER SUFFIX DESIGNATION FOR PACKAGE SIZE.
 - (*) DIMENSIONAL VARIANCE IS POSSIBLE DUE TO MOLDING PROCESS RELATED SINK MARKS.
 - APPLICATION SPECIFICATION:
 A. NOMINAL HOLE DIAMETER: 6.3 - 7.1 mm
 B. NOMINAL PANEL THICKNESS: 0.8 - 7.0 mm

CAD FILENAME/LAYERS: G03597AA_DC_GB3597AA/00C

PANDUIT CORP. TINLEY PARK, ILLINOIS

PUM071-RIS-_30 & PUM071-R15S-_30
PUSH MOUNT/CABLE TIE ASSEMBLY

UNLESS OTHERWISE SPECIFIED, ALL DIMENSIONS ARE GIVEN IN METRIC TOLERANCE: ±0.5MM

REV	DATE	BY	CHK	DESCRIPTION	ECN	R	CUST	SUP
OOC	11/7/08	PSG	RR	CHANGED DIMENSION 'D'	GB3597AA	OOC	KLN	
OOB	10/29/08	PSG		CHANGED PANDUIT PART NUMBERS AND MATERIALS	GB3597AA	OOB		
OOA	10/6/08	PSG		INITIAL RELEASE	GB3597AA	OOA		

DRAWN BY: PSG
DATE: 10/1/08
CHK'D: KLN

MAT'L: SEE TABLE

SCALE: 1:1
DRAWING NO.: GB3597AA
DWS: A
SIZE: A