



Chipsmall Limited consists of a professional team with an average of over 10 year of expertise in the distribution of electronic components. Based in Hongkong, we have already established firm and mutual-benefit business relationships with customers from,Europe,America and south Asia,supplying obsolete and hard-to-find components to meet their specific needs.

With the principle of "Quality Parts,Customers Priority,Honest Operation,and Considerate Service",our business mainly focus on the distribution of electronic components. Line cards we deal with include Microchip,ALPS,ROHM,Xilinx,Pulse,ON,Everlight and Freescale. Main products comprise IC,Modules,Potentiometer,IC Socket,Relay,Connector.Our parts cover such applications as commercial,industrial, and automotives areas.

We are looking forward to setting up business relationship with you and hope to provide you with the best service and solution. Let us make a better world for our industry!



## Contact us

Tel: +86-755-8981 8866 Fax: +86-755-8427 6832

Email & Skype: info@chipsmall.com Web: www.chipsmall.com

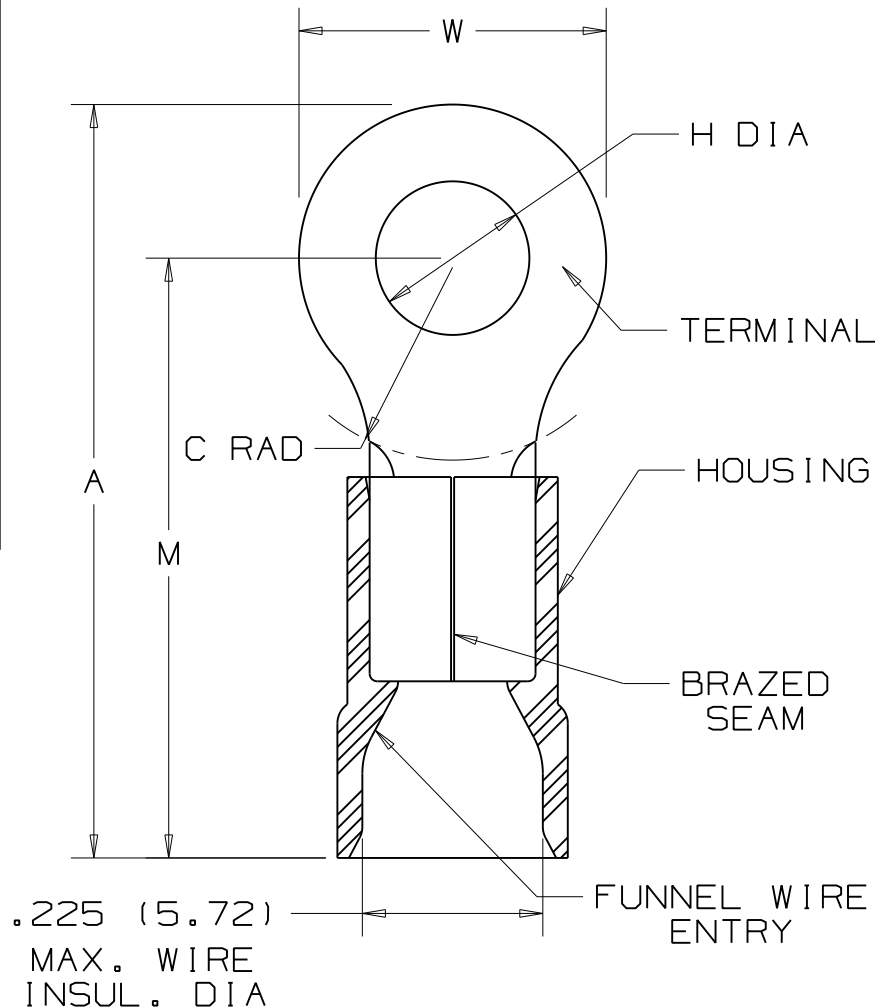
Address: A1208, Overseas Decoration Building, #122 Zhenhua RD., Futian, Shenzhen, China



PANDUIT PART NUMBER		STUD SIZE	DIMENSIONS in.				
			A ±.03	W ±.01	C ±.02	M ±.03	H ±.01
PV10-6R	-L -D	#6	1.05 (26.7)	.31 (7.9)	.31 (7.9)	.89 (22.6)	.15 (3.8)
PV10-8R	-L -D	#8	1.05 (26.7)	.31 (7.9)	.31 (7.9)	.89 (22.6)	.17 (4.3)
PV10-10R	-L -D	#10	1.05 (26.7)	.31 (7.9)	.31 (7.9)	.89 (22.6)	.20 (5.1)
PV10-14R	-L -D	1/4"	1.23 (31.2)	.52 (13.2)	.38 (9.7)	.97 (24.6)	.27 (6.9)
PV10-56R	-L -D	5/16"	1.23 (31.2)	.52 (13.2)	.38 (9.7)	.97 (24.6)	.33 (8.4)
PV10-38R	-L -D	3/8"	1.31 (33.3)	.58 (14.7)	.41 (10.4)	1.02 (25.9)	.39 (9.9)
PV10-12R	-L -Q	1/2"	1.46 (37.1)	.72 (18.3)	.53 (13.5)	1.10 (27.9)	.52 (13.2)

NOTES:

- UL LISTED AND CSA CERTIFIED FOR:
  - 600V. MAX. BLDG WIRE  
(1000 V. MAX IN SIGNS, FIXTURES & LUMINAIRES),  
AND 14-10 AWG SOLID OR STRANDED  
COPPER WIRE, & 221°F (105°C MAX) TEMP RATING  
WITH THE CT-550 INSTALLATION TOOL #12 STR OR SOL  
& #10 STR W/ CT-1550, CT-1551 INSTALLATION TOOLS.
  - 300 V. MAX BLDG WIRE,  
12-10 AWG SOLID OR STRANDED  
COPPER WIRE, & 167°F (75°C) MAX TEMP RATING  
WITH THE CT-100 INSTALLATION TOOLS.
- MATERIAL:
  - STAMPING - .04" (1.0) THK COPPER, TIN PLATED
  - HOUSING - VINYL, YELLOW
- STRIP LENGTH - 5/16 <sup>+1/32</sup> 0
- PACKAGE QTY:
  - STD PKG. -Q=25
  - STD PKG. -L=50
  - BULK PKG. -D=500
- DIMENSIONS IN BRACKETS ARE IN MILLIMETERS



CERTIFIED  
LR31212



LISTED  
587H  
E52164

06	8/09	SRB		Added -Q- packaging code to PV10-12R				<p>TINLEY PARK, ILLINOIS</p> <p>2PC. VINYL INSULATED, #12-10 BARREL, RINGS</p>
05	2/02	SAC		FOR PV10-12R DIM A WAS 1.47 & DIM M WAS 1.11				
04	5/02	SRB	SKB	CHANGED (DIMS) TO 1 PL DECIMAL	10231	LA	TRO	
03	4/02	SRB	SKB	ADDED PV10-12R	10171	LA	TRO	
REV	DATE	BY	CHK	DESCRIPTION	ECN #	CUST	PM	DRAWN BY: FES CHK'D: SCALE: NONE DRAWING NO.: A41187