



Chipsmall Limited consists of a professional team with an average of over 10 year of expertise in the distribution of electronic components. Based in Hongkong, we have already established firm and mutual-benefit business relationships with customers from,Europe,America and south Asia,supplying obsolete and hard-to-find components to meet their specific needs.

With the principle of “Quality Parts,Customers Priority,Honest Operation,and Considerate Service”,our business mainly focus on the distribution of electronic components. Line cards we deal with include Microchip,ALPS,ROHM,Xilinx,Pulse,ON,Everlight and Freescale. Main products comprise IC,Modules,Potentiometer,IC Socket,Relay,Connector.Our parts cover such applications as commercial,industrial, and automotives areas.

We are looking forward to setting up business relationship with you and hope to provide you with the best service and solution. Let us make a better world for our industry!



Contact us

Tel: +86-755-8981 8866 Fax: +86-755-8427 6832

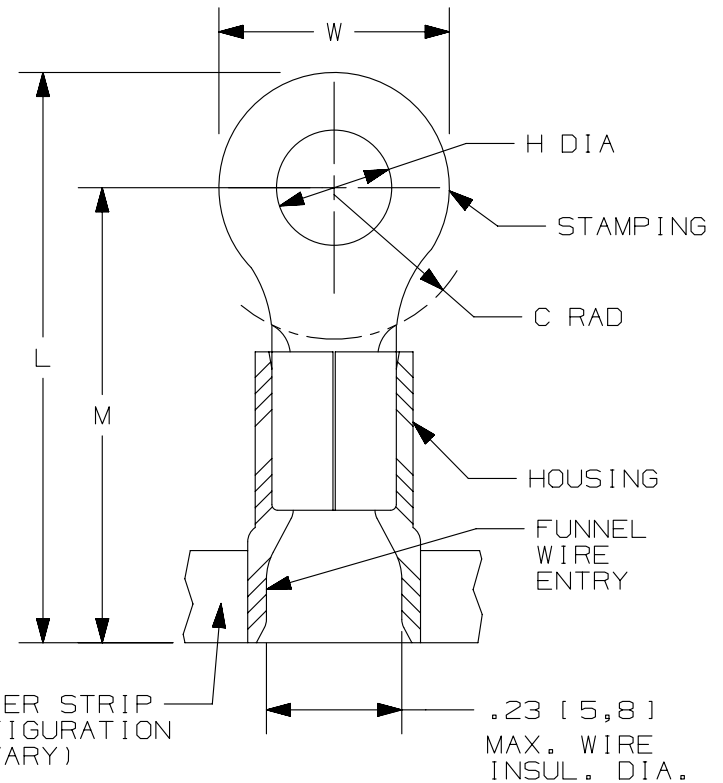
Email & Skype: info@chipsmall.com Web: www.chipsmall.com

Address: A1208, Overseas Decoration Building, #122 Zhenhua RD., Futian, Shenzhen, China



THIS COPY IS PROVIDED ON A RESTRICTED BASIS AND IS NOT TO BE USED IN ANY WAY DETRIMENTAL TO THE INTERESTS OF PANDUIT CORP.

PANDUIT PART #	STUD SIZE		DIMENSIONS in. [mm]				
	ENGLISH	METRIC	L ± .03 [0,76]	W ± .01 [0,25]	C ± .02 [0,51]	M ± .03 [0,76]	H ± .01 [0,25]
PMV6-3RB	--	M3	.98 [24,9]	.24 [6,1]	.31 [7,9]	.86 [21,8]	.13 [3,3]
PV10-6RB	#6	M3,5	1.02 [25,9]	.31 [7,9]	.31 [7,9]	.86 [21,8]	.15 [3,8]
PV10-8RB	#8	M4	1.02 [25,9]	.31 [7,9]	.31 [7,9]	.86 [21,8]	.17 [4,3]
PV10-10RB	#10	--	1.02 [25,9]	.31 [7,9]	.31 [7,9]	.86 [21,8]	.20 [5,1]
PMV6-5RB	--	M5	1.05 [26,7]	.37 [9,4]	.31 [7,9]	.86 [21,8]	.21 [5,3]
PV10-14RB	1/4"	M6	1.20 [30,5]	.52 [13,2]	.38 [9,7]	.94 [23,9]	.27 [6,9]
PV10-56RB	5/16"	M8	1.20 [30,5]	.52 [13,2]	.38 [9,7]	.94 [23,9]	.33 [8,4]
PV10-38RB	3/8"	--	1.23 [31,2]	.58 [14,7]	.38 [9,7]	.94 [23,9]	.39 [9,9]



NOTES:

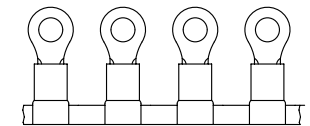
- USED FOR:
 - A. #12-10 AWG [4,0-6,0 mm²] SOLID OR STRANDED COPPER WIRE
 - B. 221°F [105°C] MAX. OPERATING TEMPERATURE
 - C. 600 V. MAX. VOLTAGE RATING
- INSTALLATION TOOLS:
 - A. PRESSES: CP-861, CP-862, CP-871
 - B. APPLICATOR: CA-800EZ, CA9
 - C. DIE INSERTS: CD-800-3, CD9-3B
- WIRE STRIP LENGTH: 11/32" ^{+1/32}/₀ [8,7^{+0,8}/₀]
- MATERIAL:
 - A. STAMPING: .03" [0,8] THK COPPER, TIN PLATED
 - B. HOUSING: VINYL, YELLOW
- SEE www.panduit.com FOR PACKAGE QUANTITIES INDICATED BY PART NUMBER SUFFIX
- DIMENSIONS IN BRACKETS ARE METRIC EQUIVALENT



LISTED
587H
E52164



CERTIFIED
LR31212



TITLE		RING TERMINALS, 2 PC. VINYL INSULATED, #12-10		
CUSTOMER DRAWING				
ITEM REVISION NAME		N41067BA/05		
DATASET FILE NAME		N41067BA_DC/05A		
UNLESS OTHERWISE SPECIFIED, DIMENSIONAL TOLERANCES ARE: IN [mm]		MATERIAL: SEE NOTES		
.x ± .1 [2.54] .xxx ± .005 [0.13]		DRAWING NUMBER: A41067		
.xx ± .01 [0.25] ANGLES ± 5°		THIRD ANGLE PROJECTION		
DRAWN BY	DATE	CHK	SCALE	SIZE
CLK	-	-	N.T.S.	SHT 1 OF 1 A

REV	DATE	BY	CHK	APR	DESCRIPTION	ECN
04	09.14.12	JBN	LCA	VMB	ADDED METRIC EQUIVALENT. REVISED NOTES. UPDATED TO CURRENT STANDARDS.	A41067

D101000DA/15