



Chipsmall Limited consists of a professional team with an average of over 10 year of expertise in the distribution of electronic components. Based in Hongkong, we have already established firm and mutual-benefit business relationships with customers from,Europe,America and south Asia,supplying obsolete and hard-to-find components to meet their specific needs.

With the principle of "Quality Parts,Customers Priority,Honest Operation,and Considerate Service",our business mainly focus on the distribution of electronic components. Line cards we deal with include Microchip,ALPS,ROHM,Xilinx,Pulse,ON,Everlight and Freescale. Main products comprise IC,Modules,Potentiometer,IC Socket,Relay,Connector.Our parts cover such applications as commercial,industrial, and automotives areas.

We are looking forward to setting up business relationship with you and hope to provide you with the best service and solution. Let us make a better world for our industry!



Contact us

Tel: +86-755-8981 8866 Fax: +86-755-8427 6832

Email & Skype: info@chipsmall.com Web: www.chipsmall.com

Address: A1208, Overseas Decoration Building, #122 Zhenhua RD., Futian, Shenzhen, China



PANDUIT PART NUMBER	STUD SIZE	DIMENSIONS in.				
		A	W	C	M	H
PV10-6RX	#6	1.10 (27.94)	.31 (7.87)	.30 (7.62)	.93 (23.62)	.15 (3.81)
PV10-8RX	#8	1.10 (27.94)	.31 (7.87)	.30 (7.62)	.93 (23.62)	.17 (4.32)
PV10-10RX	#10	1.10 (27.94)	.31 (7.87)	.30 (7.62)	.93 (23.62)	.20 (5.08)
PV10-14RX	1/4"	1.29 (32.77)	.52 (13.21)	.39 (9.91)	1.00 (25.40)	.27 (6.86)
PV10-56RX	5/16"	1.29 (32.77)	.52 (13.21)	.42 (10.67)	1.00 (25.40)	.33 (8.38)
PV10-38RX	3/8"	1.35 (34.29)	.58 (14.73)	.46 (11.68)	1.08 (27.43)	.39 (9.91)

NOTES:

1. UL LISTED AND CSA CERTIFIED FOR:

- A. 600 V. MAX BLDG WIRE (1000 V. MAX IN SIGNS, FIXTURES & LUMINAIRES), AND 14-10 AWG SOLID OR STRANDED COPPER WIRE, & 221°F (105°C MAX) TEMP RATING WITH THE CT-550 INSTALLATION TOOL.
- B. 300 V. MAX BLDG WIRE, 12-10 AWG SOLID OR STRANDED COPPER WIRE, & 167°F (75°C) MAX TEMP RATING WITH THE CT-100 & CT-250 INSTALLATION TOOLS.

2. MATERIAL:

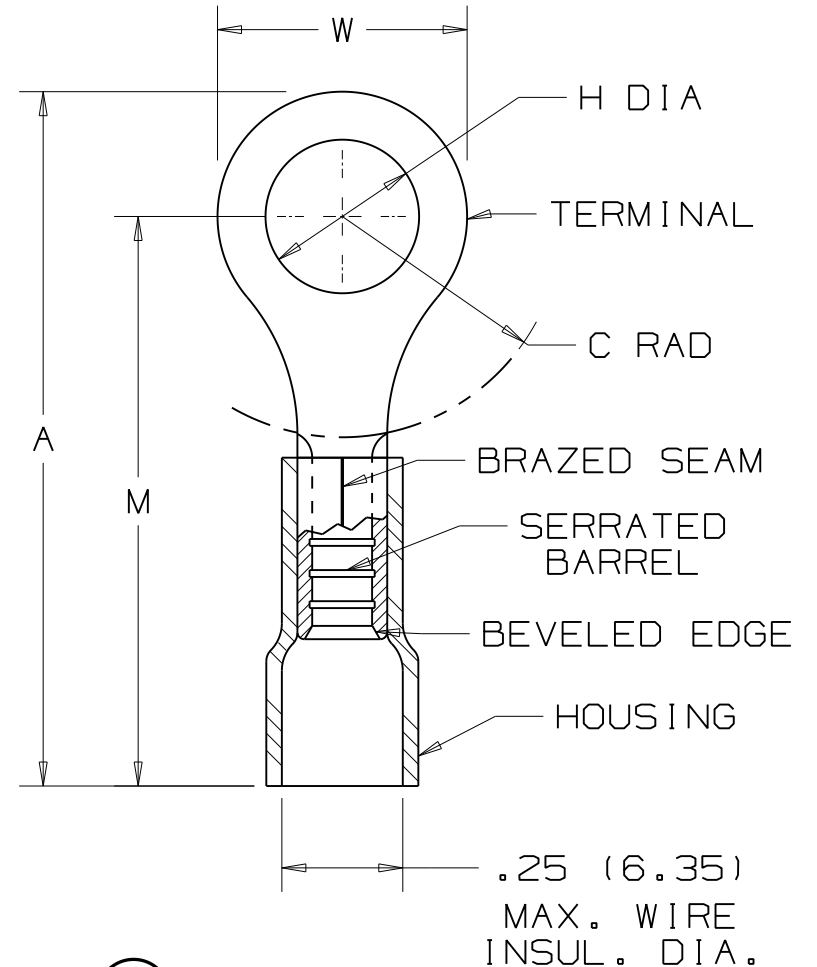
- A. STAMPING - .04" (1.02) THK COPPER, TIN PLATED
- B. HOUSING - VINYL, YELLOW

3. STRIP LENGTH - 5/16 ^{+1/32} -0

4. PACKAGE QTY:

- L=50
- D=500

5. DIMENSIONS IN BRACKETS ARE IN MILLIMETERS



LISTED
587H
E52164



CERTIFIED
LR31212

			PANDUIT CORP. TINLEY PARK, ILLINOIS	
05	8/10	SRB	Revised dimension 1.35 was 1.39 Removed tolerances	#12-10 BARREL VINYL INSULATED RING TONGUE, .250 (6.35) MAX. WIRE INSULATION DIAMETER
REV	DATE	BY	DESCRIPTION	DRAWN BY: DAW CHK'D: RLS SCALE: NONE DRAWING NO.: A41271