



Chipsmall Limited consists of a professional team with an average of over 10 year of expertise in the distribution of electronic components. Based in Hongkong, we have already established firm and mutual-benefit business relationships with customers from,Europe,America and south Asia,supplying obsolete and hard-to-find components to meet their specific needs.

With the principle of “Quality Parts,Customers Priority,Honest Operation,and Considerate Service”,our business mainly focus on the distribution of electronic components. Line cards we deal with include Microchip,ALPS,ROHM,Xilinx,Pulse,ON,Everlight and Freescale. Main products comprise IC,Modules,Potentiometer,IC Socket,Relay,Connector.Our parts cover such applications as commercial,industrial, and automotives areas.

We are looking forward to setting up business relationship with you and hope to provide you with the best service and solution. Let us make a better world for our industry!



## Contact us

Tel: +86-755-8981 8866 Fax: +86-755-8427 6832

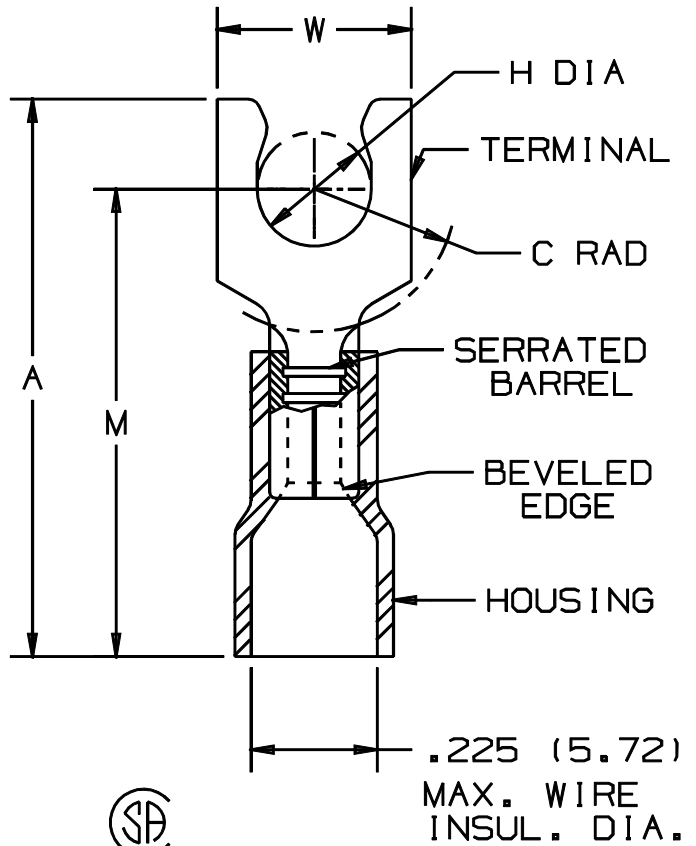
Email & Skype: info@chipsmall.com Web: www.chipsmall.com

Address: A1208, Overseas Decoration Building, #122 Zhenhua RD., Futian, Shenzhen, China



THIS COPY IS PROVIDED ON A RESTRICTED BASIS AND IS NOT TO BE USED IN ANY WAY DETRIMENTAL TO THE INTERESTS OF PANDUIT CORP.

PANDUIT PART NUMBER	STUD SIZE	DIMENSIONS in.				
		A $\pm .03$	W $\pm .01$	C $\pm .02$	M $\pm .03$	H $\pm .01$
PV10-5SLF	#5	.86 (21.84)	.25 (6.35)	.22 (5.59)	.77 (19.56)	.12 (3.05)
PV10-6SLF	#6	.87 (22.10)	.25 (6.35)	.22 (5.59)	.77 (19.56)	.14 (3.56)
PV10-8SLF	#8	.92 (23.37)	.29 (7.37)	.26 (6.60)	.81 (20.57)	.16 (4.06)
PV10-10SLF	#10	.92 (23.37)	.33 (8.38)	.26 (6.60)	.81 (20.57)	.19 (4.83)
PV10-14SLF	1/4"	1.02 (25.91)	.45 (11.43)	.33 (8.38)	.86 (21.84)	.25 (6.35)



NOTES:

- RECOMMENDED FOR:
  - 600V. MAX. VOLTAGE RATING (1000V. MAX IN SIGNS, FIXTURES AND LUMINARIES)
  - #12-10 AWG STRANDED COPPER WIRE ONLY
  - 221° F (105° C) MAX. TEMP. RATING
- MATERIAL:
  - STAMPING - .04 (1.02) THK COPPER, TIN PLATED
  - HOUSING - VINYL, YELLOW
- PACKAGE QTY: STD. PKG. -L=50  
BULK PKG. -D=500
- DIMENSIONS IN BRACKETS ARE IN MILLIMETERS
- INSTALLATION TOOLS: CT-550, CT-1550, CT-1551
- WIRE STRIP LENGTH : 5/16  $\pm 1/32$  (7.9  $\pm 0.8$ )



LISTED  
587H  
E52164



CERTIFIED  
LR-31212

A41247\_05

5	1/01	RM		FILESPEC WAS N41247AA_PCD_04					<b>PANDUIT</b> CORP. TINLEY PARK, ILLINOIS			
4	1/97	JAMB		UPDATE NOTES, MAX. WIRE INSUL DIA. WAS .230 (5.84)	05448							
3	7-96	JB RLS		ORIGINAL FILE SPEC WAS A41247A GEN'L. REVISIONS TO TABLE & NOTES	04884	LA	DBH	#12-10 BARREL FUNNELED VINYL INSULATED SHORT LOCKING FORK, .225 (5.72) MAX. WIRE INSULATION DIAMETER				
2	7-88	DW		REDRAWN WITH REVISIONS		LA	JRB					
REV	DATE	BY	CHK	DESCRIPTION	ECN	QA	CUST	PM	DRAWN BY DAW	CHK'D	SCALE NONE	DRAWING NO. A41247