



Chipsmall Limited consists of a professional team with an average of over 10 year of expertise in the distribution of electronic components. Based in Hongkong, we have already established firm and mutual-benefit business relationships with customers from,Europe,America and south Asia,supplying obsolete and hard-to-find components to meet their specific needs.

With the principle of "Quality Parts,Customers Priority,Honest Operation,and Considerate Service",our business mainly focus on the distribution of electronic components. Line cards we deal with include Microchip,ALPS,ROHM,Xilinx,Pulse,ON,Everlight and Freescale. Main products comprise IC,Modules,Potentiometer,IC Socket,Relay,Connector.Our parts cover such applications as commercial,industrial, and automotives areas.

We are looking forward to setting up business relationship with you and hope to provide you with the best service and solution. Let us make a better world for our industry!



Contact us

Tel: +86-755-8981 8866 Fax: +86-755-8427 6832

Email & Skype: info@chipsmall.com Web: www.chipsmall.com

Address: A1208, Overseas Decoration Building, #122 Zhenhua RD., Futian, Shenzhen, China

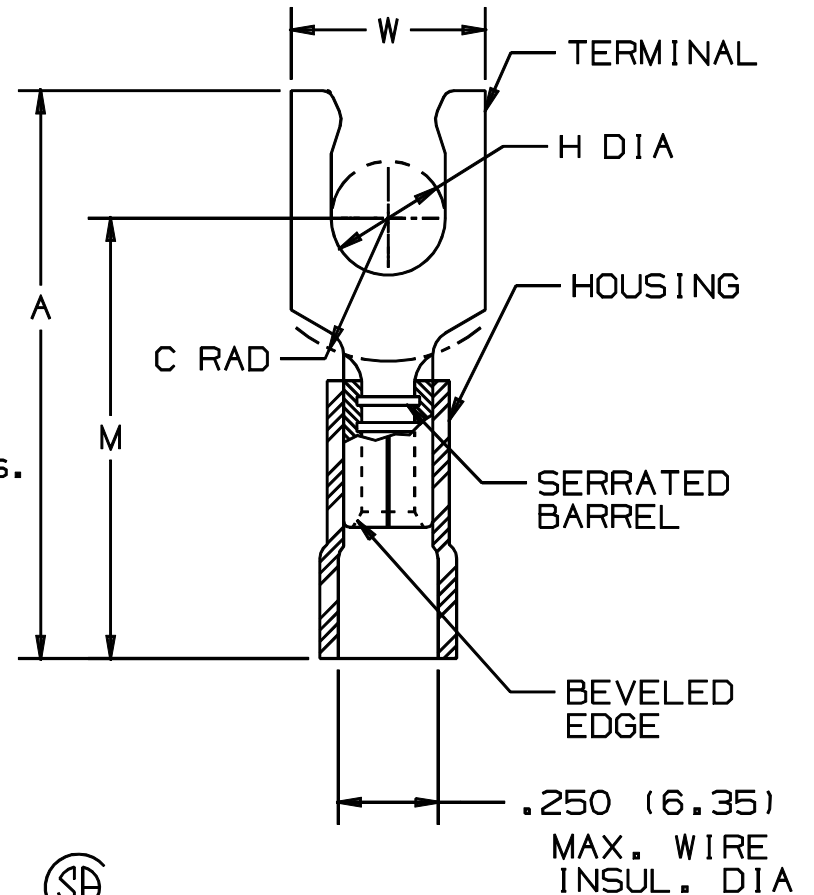


THIS COPY IS PROVIDED ON A RESTRICTED BASIS AND IS NOT TO BE USED IN ANY WAY DETRIMENTAL TO THE INTERESTS OF PANDUIT CORP.

PANDUIT PART NUMBER	STUD SIZE	DIMENSIONS in.				
		A $\pm .03$	W $\pm .01$	C MIN	M $\pm .03$	H $\pm .01$
PV10-6LFX	#6	1.09 (27.69)	.30 (7.62)	.23 (5.84)	.85 (21.59)	.14 (3.56)
PV10-8LFX	#8	1.12 (28.45)	.30 (7.62)	.23 (5.84)	.86 (21.84)	.16 (4.06)
PV10-10LFX	#10	1.12 (28.45)	.34 (8.64)	.23 (5.84)	.86 (21.84)	.19 (4.83)
PV10-14LFX	1/4"	1.25 (31.75)	.46 (11.68)	.32 (8.13)	.97 (24.64)	.25 (6.35)

NOTES:

- UL LISTED AND CSA CERTIFIED FOR:
 - A. 600V. MAX. BLDG WIRE (1000 V. MAX IN SIGNS, FIXTURES & LUMINAIRES), AND 12-10 AWG STRANDED COPPER WIRE ONLY & 221°F (105°C MAX) TEMP RATING WITH THE CT-550, CT1550 & CT1551 INSTALLATION TOOLS.
- MATERIAL:
 - A. STAMPING - .04" (1.02) THK COPPER, TIN PLATED
 - B. HOUSING - VINYL, YELLOW
- STRIP LENGTH - 5/16 $\pm \frac{1}{32}$
- PACKAGE QTY:
 - L=50
 - D=500
- DIMENSIONS IN BRACKETS ARE IN MILLIMETERS



LISTED
587H
E52164



CERTIFIED
LR31212

A41224_06

06	1/01	KMD		CAD FILE SPEC. WAS N41224AA_PCD_05					<p>TINLEY PARK, ILLINOIS</p> <p>#12-10 BARREL VINYL INSULATED LOCKING FORK, .250 (6.35) MAX. INSULATION DIAMETER</p>			
05	1/97	JAMB		UPDATE NOTES	05449							
04	9/94	MS	RLS	REVISED NOTES AND DIMENSIONS	02481	TJP	JM					
03	7-88	DW		REDRAWN WITH REVISIONS								
REV	DATE	BY	CHK	DESCRIPTION	ECN	QA	CUST	PM	DRAWN BY DAW	Ck'D 	SCALE NONE	DRAWING NO. A41224