



Chipsmall Limited consists of a professional team with an average of over 10 year of expertise in the distribution of electronic components. Based in Hongkong, we have already established firm and mutual-benefit business relationships with customers from,Europe,America and south Asia,supplying obsolete and hard-to-find components to meet their specific needs.

With the principle of "Quality Parts,Customers Priority,Honest Operation,and Considerate Service",our business mainly focus on the distribution of electronic components. Line cards we deal with include Microchip,ALPS,ROHM,Xilinx,Pulse,ON,Everlight and Freescale. Main products comprise IC,Modules,Potentiometer,IC Socket,Relay,Connector.Our parts cover such applications as commercial,industrial, and automotives areas.

We are looking forward to setting up business relationship with you and hope to provide you with the best service and solution. Let us make a better world for our industry!



Contact us

Tel: +86-755-8981 8866 Fax: +86-755-8427 6832

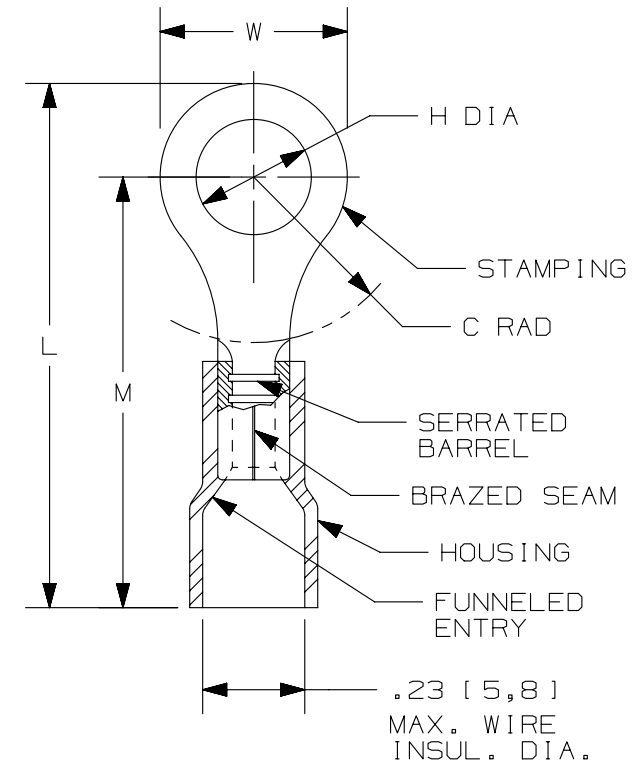
Email & Skype: info@chipsmall.com Web: www.chipsmall.com

Address: A1208, Overseas Decoration Building, #122 Zhenhua RD., Futian, Shenzhen, China



THIS COPY IS PROVIDED ON A RESTRICTED BASIS AND IS NOT TO BE USED IN ANY WAY DETRIMENTAL TO THE INTERESTS OF PANDUIT CORP.

PANDUIT PART #	STUD SIZE	DIMENSIONS in. [mm]				
		L ± .02 [0,5]	W ± .01 [0,3]	C ± .015 [0,4]	M ± .02 [0,5]	H ± .01 [0,3]
PV12-6HDR	#6	1.05 [26,7]	.31 [7,9]	.35 [8,9]	.89 [22,6]	.15 [3,8]
PV12-8HDR	#8	1.05 [26,7]	.31 [7,9]	.35 [8,9]	.89 [22,6]	.17 [4,3]
PV12-10HDR	#10	1.08 [27,4]	.37 [9,4]	.33 [8,4]	.89 [22,6]	.20 [5,1]
PV12-14HDR	1/4"	1.23 [31,2]	.52 [13,2]	.42 [10,7]	.97 [24,6]	.27 [6,9]
PV12-56HDR	5/16"	1.23 [31,2]	.52 [13,2]	.42 [10,7]	.97 [24,6]	.34 [8,6]
PV12-38HDR	3/8"	1.31 [33,3]	.58 [14,7]	.46 [11,7]	1.02 [25,9]	.40 [10,2]



NOTES:

- USED FOR:
 - A. #16-12 AWG [2,0-6,0 mm²] STRANDED COPPER WIRE
 - B. 221°F [105°C] MAX. OPERATING TEMPERATURE
 - C. 600 V. MAX. VOLTAGE RATING
- INSTALLATION TOOLS:
 - A. UL APPROVED: CT-600A (CT-550CH), CT-1550, CT-1551, CT-2500 (CT-2550CH)
 - B. PANDUIT APPROVED: CT-460
- WIRE STRIP LENGTH: 9/32" ^{+1/32}/₀ [7,1^{+0,8}]
- MATERIAL:
 - A. STAMPING: .05" [1,3] THK COPPER, TIN PLATED
 - B. HOUSING: VINYL, YELLOW
- SEE www.panduit.com FOR PACKAGE QUANTITIES INDICATED BY PART NUMBER SUFFIX
- DIMENSIONS IN BRACKETS ARE METRIC EQUIVALENT



LISTED
587H
E52164



CERTIFIED
LR31212

REV	DATE	BY	CHK	APR	DESCRIPTION	ECN
04	10.16.12	JBN	LCA	VMB	REVISED NOTES. UPDATED DRAWING TO CURRENT STANDARDS.	A41281

TITLE RING TERMINALS, VINYL INSULATED, HEAVY DUTY #16-12		CUSTOMER DRAWING	
ITEM REVISION NAME N41281BA/04		PANDUIT	
DATASET FILE NAME N41281BA_DC/04A			
UNLESS OTHERWISE SPECIFIED, DIMENSIONAL TOLERANCES ARE: IN [mm]		MATERIAL: SEE NOTES	
.x ± .1 [2.54] .xxx ± .005 [.13] .xx ± .01 [.25] ANGLES ± 5°		DRAWING NUMBER: A41281	
THIRD ANGLE PROJECTION		SHT 1 OF 1	
DRAWN BY DAW	DATE -	CHK -	SCALE N.T.S.
		SIZE A	

D10100DA/15