



Chipsmall Limited consists of a professional team with an average of over 10 year of expertise in the distribution of electronic components. Based in Hongkong, we have already established firm and mutual-benefit business relationships with customers from,Europe,America and south Asia,supplying obsolete and hard-to-find components to meet their specific needs.

With the principle of “Quality Parts,Customers Priority,Honest Operation,and Considerate Service”,our business mainly focus on the distribution of electronic components. Line cards we deal with include Microchip,ALPS,ROHM,Xilinx,Pulse,ON,Everlight and Freescale. Main products comprise IC,Modules,Potentiometer,IC Socket,Relay,Connector.Our parts cover such applications as commercial,industrial, and automotives areas.

We are looking forward to setting up business relationship with you and hope to provide you with the best service and solution. Let us make a better world for our industry!



## Contact us

Tel: +86-755-8981 8866 Fax: +86-755-8427 6832

Email & Skype: info@chipsmall.com Web: www.chipsmall.com

Address: A1208, Overseas Decoration Building, #122 Zhenhua RD., Futian, Shenzhen, China

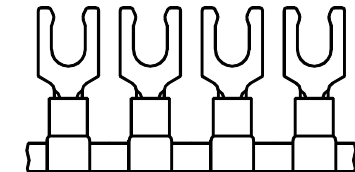
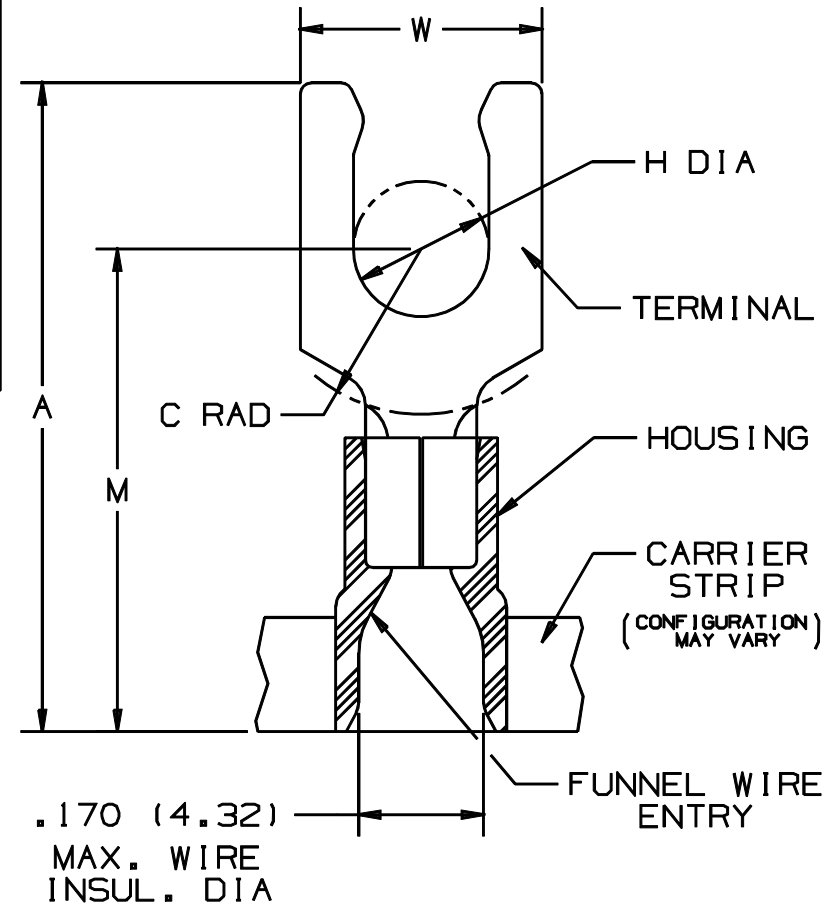


THIS COPY IS PROVIDED ON A RESTRICTED BASIS AND IS NOT TO BE USED IN ANY WAY DETRIMENTAL TO THE INTERESTS OF PANDUIT CORP.

PANDUIT PART NUMBER	STUD SIZE	DIMENSIONS in.				
		A $\pm .03$	W $\pm .01$	C $\pm .02$	M $\pm .03$	H $\pm .01$
PV14-6LFB-3K	#6	.85 (21.59)	.25 (6.35)	.18 (4.57)	.63 (16.00)	.14 (3.56)
PV14-6LFWB-3K	#6	.85 (21.59)	.29 (7.37)	.18 (4.57)	.63 (16.00)	.14 (3.56)
PV14-8LFB-3K	#8	.92 (23.37)	.29 (7.37)	.23 (5.84)	.68 (17.27)	.16 (4.06)
PV14-10LFB-3K	#10	.92 (23.37)	.33 (8.38)	.23 (5.84)	.68 (17.27)	.19 (4.83)
PV14-10LFNB-3K*	#10	.92 (23.37)	.28 (7.11)	.23 (5.84)	.68 (17.27)	.19 (4.83)

NOTES :

- UL LISTED AND CSA CERTIFIED FOR :
  - 600 V MAX. VOLTAGE RATING
  - 221°F (105°C) MAX. TEMP. RATING
  - #16-14 AWG (1.5-2.5 mm<sup>2</sup>) SOLID OR STRANDED, COPPER WIRE
- PACKAGE QTY. : - 3K = 3000 PCS.  
CONTINUOUS MOLDED CARRIER STRIP
- MATERIAL :
  - STAMPING - .03" THK COPPER, TIN PLATED
  - HOUSING - BLUE VINYL
- DIMENSIONS IN BRACKETS ARE IN MILLIMETERS
- INSTALLATION TOOLS :
  - PRESSES - CP-851, CP-860, CP-861
  - APPLICATOR - CA-800
  - DIE INSERTS - CD-800-2
- WIRE STRIP LENGTH:  $1/4" \pm 1/32" (6.4 \pm 0.8)$



A41071\_03

\* PV14-10LFNB-3K IS NOT UL LISTED OR CSA CERTIFIED



LISTED  
587H  
E52164



CERTIFIED  
LR31212

03	12/00	ED		FILESPEC WAS: N41071AA_PCD_02	08925				TINLEY PARK, ILLINOIS		
02	1/96	ED		REV.S TO NOTES AND DIM.S FILESPEC WAS: A41071A.PRT	03925				TERMO 2PC. CONTINUOUSLY MOLDED VINYL INSULATED, #16-14 BARREL, LOCKING FORKS		
01	3/88	DSM		REDRAWN ON CAD		KS	LA				
REV	DATE	BY	CHK	DESCRIPTION	ECN #	PM	SUP	DRAWN BY DSM	CHK'D FS	SCALE NONE	DRAWING NO. A41071