



Chipsmall Limited consists of a professional team with an average of over 10 year of expertise in the distribution of electronic components. Based in Hongkong, we have already established firm and mutual-benefit business relationships with customers from,Europe,America and south Asia,supplying obsolete and hard-to-find components to meet their specific needs.

With the principle of “Quality Parts,Customers Priority,Honest Operation,and Considerate Service”,our business mainly focus on the distribution of electronic components. Line cards we deal with include Microchip,ALPS,ROHM,Xilinx,Pulse,ON,Everlight and Freescale. Main products comprise IC,Modules,Potentiometer,IC Socket,Relay,Connector.Our parts cover such applications as commercial,industrial, and automotives areas.

We are looking forward to setting up business relationship with you and hope to provide you with the best service and solution. Let us make a better world for our industry!



Contact us

Tel: +86-755-8981 8866 Fax: +86-755-8427 6832

Email & Skype: info@chipsmall.com Web: www.chipsmall.com

Address: A1208, Overseas Decoration Building, #122 Zhenhua RD., Futian, Shenzhen, China



| PANDUIT PART NUMBER | | STUD SIZE | DIMENSIONS in. | | | | |
|---------------------|----------|-----------|----------------|---------------|---------------|----------------|---------------|
| | | | A ±.03 | W ±.01 | C ±.02 | M ±.03 | H ±.01 |
| PV14-4R | -C -M | #4 | .84 (21.3) | .25 (6.4) | .19 (4.8) | .71 (18.0) | .12 (3.1) |
| PV14-6RN | -C -M | #6 | .84 (21.3) | .25 (6.4) | .19 (4.8) | .71 (18.0) | .15 (3.8) |
| PV14-6R | -C -M | #6 | .92 (23.4) | .31 (7.9) | .25 (6.4) | .76 (19.3) | .15 (3.8) |
| PV14-8R | -C -M | #8 | .92 (23.4) | .31 (7.9) | .25 (6.4) | .76 (19.3) | .17 (4.3) |
| PV14-10R | -C -M | #10 | .92 (23.4) | .31 (7.9) | .25 (6.4) | .76 (19.3) | .20 (5.1) |
| PV14-14R | -C -M | 1/4" | 1.12 (28.5) | .46 (11.7) | .38 (9.7) | .89 (22.6) | .27 (6.9) |
| PV14-56R | -C -M | 5/16" | 1.12 (28.5) | .46 (11.7) | .38 (9.7) | .89 (22.6) | .34 (8.6) |
| PV14-38R | -L -M | 3/8" | 1.21 (30.7) | .53 (13.5) | .43 (10.9) | .94 (23.9) | .40 (10.2) |
| PV14-12R | -L | 1/2" | 1.42 (36.1) | .72 (18.3) | .53 (13.5) | 1.06 (26.9) | .52 (13.2) |

NOTES:

- UL LISTED & CSA CERTIFIED FOR
 - 600 V. MAX. VOLTAGE RATING (1000 V. MAX. IN SIGNS, FIXTURES AND LUMINAIRES.)
 - 18-14 AWG SOLID OR STRANDED COPPER WIRE & 221°F (105°C) MAX TEMP RATING, WITH THE CT-500 & CT-550, CT-1551, CT-1550 INSTALLATION TOOLS.
 - 16-14 AWG SOLID OR STRANDED COPPER WIRE & 167°F (75°C) MAX TEMP RATING WITH THE CT-100 INSTALLATION TOOLS.

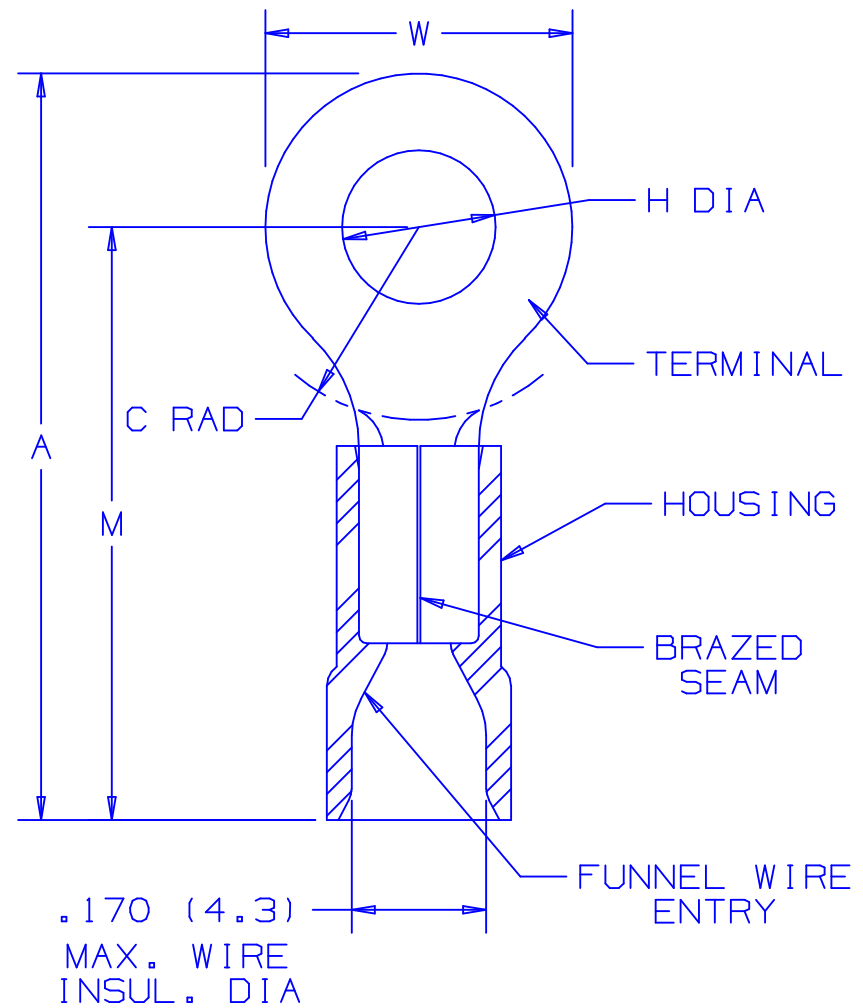
2. MATERIAL:

- STAMPING - .032 (.8) THK COPPER, TIN PLATED
- HOUSING - VINYL, BLUE

3. STRIP LENGTH 5/16 +1/32_0

4. PACKAGE QTY.: -L=50
 STD PKG-C=100
 BULK PKG-M=1000

5. DIMENSIONS IN BRACKETS ARE IN MILLIMETERS



CERTIFIED
LR31212



LISTED
587H
E52164

A41184_05

| REV | DATE | BY | CHK | DESCRIPTION | ECN # | CUST | PM |
|-----|-------|-----|-----|--|-------|------|-----|
| 05 | 12/02 | SAC | | FOR PV14-12R DIM A WAS 1.41 & DIM M WAS 1.05 | | | |
| 04 | 5/02 | SRB | SKB | CHANGED (DIMS.) TO 1 PLACE DECIMAL | 10231 | LA | TRO |
| 03 | 4/02 | SRB | SKB | ADDED PV14-12R | 10171 | LA | TRO |

PANDUIT CORP.

TINLEY PARK, ILLINOIS

2PC. VINYL INSULATED,
#16-14 BARREL, RINGS

| | | | |
|-----------------|-------|---------------|-----------------------|
| DRAWN BY FES | CHK'D | SCALE NONE | DRAWING NO. A41184 |
|-----------------|-------|---------------|-----------------------|