



Chipsmall Limited consists of a professional team with an average of over 10 year of expertise in the distribution of electronic components. Based in Hongkong, we have already established firm and mutual-benefit business relationships with customers from,Europe,America and south Asia,supplying obsolete and hard-to-find components to meet their specific needs.

With the principle of “Quality Parts,Customers Priority,Honest Operation,and Considerate Service”,our business mainly focus on the distribution of electronic components. Line cards we deal with include Microchip,ALPS,ROHM,Xilinx,Pulse,ON,Everlight and Freescale. Main products comprise IC,Modules,Potentiometer,IC Socket,Relay,Connector.Our parts cover such applications as commercial,industrial, and automotives areas.

We are looking forward to setting up business relationship with you and hope to provide you with the best service and solution. Let us make a better world for our industry!



Contact us

Tel: +86-755-8981 8866 Fax: +86-755-8427 6832

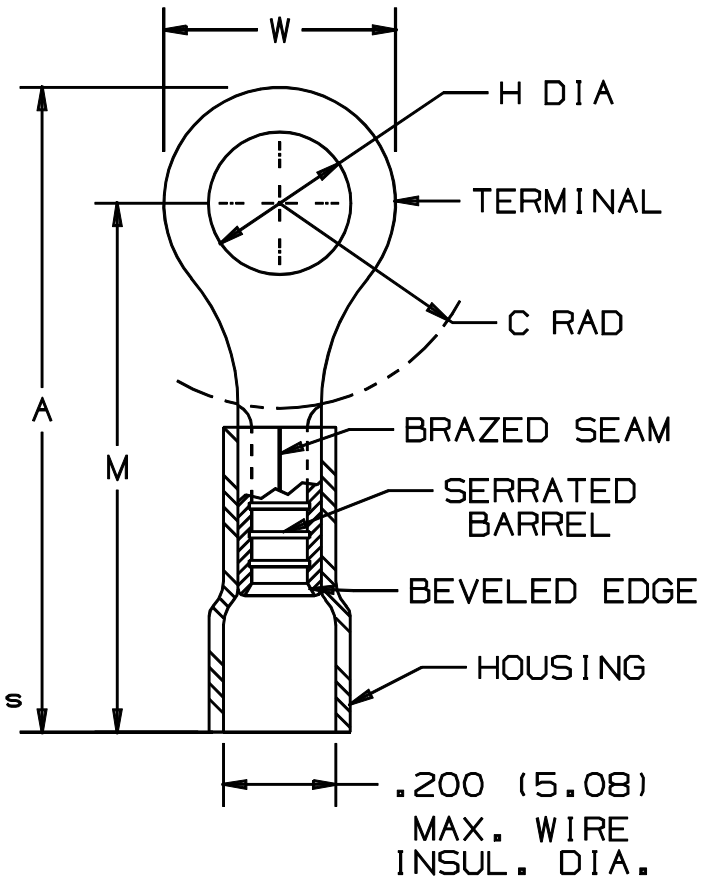
Email & Skype: info@chipsmall.com Web: www.chipsmall.com

Address: A1208, Overseas Decoration Building, #122 Zhenhua RD., Futian, Shenzhen, China



THIS COPY IS PROVIDED ON A RESTRICTED BASIS AND IS NOT TO BE USED IN ANY WAY DETRIMENTAL TO THE INTERESTS OF PANDUIT CORP.

PANDUIT PART NUMBER	PK	STUD SIZE	DIMENSIONS in.				
			A $\pm .03$	W $\pm .01$	C $\pm .02$	M $\pm .03$	H $\pm .01$
PV14-4RX	-C -M	#4	.87 (22.0)	.25 (6.4)	.19 (4.8)	.75 (19.1)	.12 (3.0)
PV14-6RX	-C -M	#6	.96 (24.4)	.31 (7.9)	.25 (6.4)	.81 (20.1)	.15 (3.8)
PV14-8RX	-C -M	#8	.96 (24.4)	.31 (7.9)	.25 (6.4)	.81 (20.1)	.17 (4.3)
PV14-10RX	-C -M	#10	.96 (24.4)	.31 (7.9)	.25 (6.4)	.81 (20.1)	.20 (5.1)
PV14-14RX	-C -M	1/4"	1.16 (29.5)	.46 (11.7)	.37 (9.4)	.95 (24.1)	.27 (6.9)
PV14-56RX	-C -M	5/16"	1.16 (29.5)	.46 (11.7)	.37 (9.4)	.95 (24.1)	.33 (8.4)
PV14-38RX	-C -M	3/8"	1.25 (31.8)	.53 (13.5)	.42 (10.7)	.99 (25.1)	.39 (9.9)



Notes:

- U.L. Listed and CSA Certified for
 - 600v max. voltage rating (1000v in signs, fixtures, and luminaires)
 - 18-14 AWG solid or stranded copper wire and 221°F (105°C) max. temp. rating with the CT-500, CT-550, CT-1551, CT-1550 installation tools
 - 16-14 AWG solid or stranded copper wire and 167°F (75°C) max. temp. rating with the CT-100 installation tools.

2. Material:

- Stamping: .032 (.81) thk copper, tin plated
- Housing: Vinyl, blue

3. Strip length: 5/16 +1/32 -0

4. Package qty.: -C = 100 / -M = 1000
-L = 50 / -D = 500

5. Dimensions in brackets are in millimeters or mm²



LISTED
587H
E52164



CERTIFIED
LR31212

A41270_04

04	1/01	RM		FILESPEC WAS N41270AA_PCD_03				<p>TINLEY PARK, ILLINOIS</p> <p>#16-14 BARREL VINYL INSULATED RING TONGUE, .200 (5.08) MAX. WIRE INSULATION DIAMETER</p>								
03		JKD		ADDED CT-1551 & CT-1550 TOOLS	07634											
02	9/95	BK	RLS	UPDATED DRAWING	03612	LCA	JM									
1	7-88	DW		REDRAWN WITH REVISIONS			JB									
REV	DATE	BY	CHK	DESCRIPTION	ECN	CUST	PM	<table border="0"> <tr> <td>DRAWN BY</td> <td>CHK'D</td> <td>SCALE</td> <td>DRAWING NO.</td> </tr> <tr> <td>DAW</td> <td>CJH</td> <td>NONE</td> <td>A41270</td> </tr> </table>	DRAWN BY	CHK'D	SCALE	DRAWING NO.	DAW	CJH	NONE	A41270
DRAWN BY	CHK'D	SCALE	DRAWING NO.													
DAW	CJH	NONE	A41270													