



Chipsmall Limited consists of a professional team with an average of over 10 year of expertise in the distribution of electronic components. Based in Hongkong, we have already established firm and mutual-benefit business relationships with customers from,Europe,America and south Asia,supplying obsolete and hard-to-find components to meet their specific needs.

With the principle of "Quality Parts,Customers Priority,Honest Operation,and Considerate Service",our business mainly focus on the distribution of electronic components. Line cards we deal with include Microchip,ALPS,ROHM,Xilinx,Pulse,ON,Everlight and Freescale. Main products comprise IC,Modules,Potentiometer,IC Socket,Relay,Connector.Our parts cover such applications as commercial,industrial, and automotives areas.

We are looking forward to setting up business relationship with you and hope to provide you with the best service and solution. Let us make a better world for our industry!



## Contact us

Tel: +86-755-8981 8866 Fax: +86-755-8427 6832

Email & Skype: info@chipsmall.com Web: www.chipsmall.com

Address: A1208, Overseas Decoration Building, #122 Zhenhua RD., Futian, Shenzhen, China



THIS COPY IS PROVIDED ON A RESTRICTED BASIS AND IS NOT TO BE USED IN ANY WAY DETRIMENTAL TO THE INTERESTS OF PANDUIT CORP.

PANDUIT PART NUMBER	STUD SIZE	DIMENSIONS in.				
		A ±.03	W ±.01	C ±.015	M ±.03	H ±.01
PV14-6FX	#6	.89 (22.61)	.28 (7.11)	.16 (4.06)	.75 (19.05)	.15 (3.81)
PV14-8FX	#8	.96 (24.38)	.31 (7.87)	.20 (5.08)	.79 (20.07)	.17 (4.32)
PV14-10FX	#10	.97 (24.64)	.34 (8.64)	.22 (5.59)	.80 (20.32)	.20 (5.08)

NOTES:

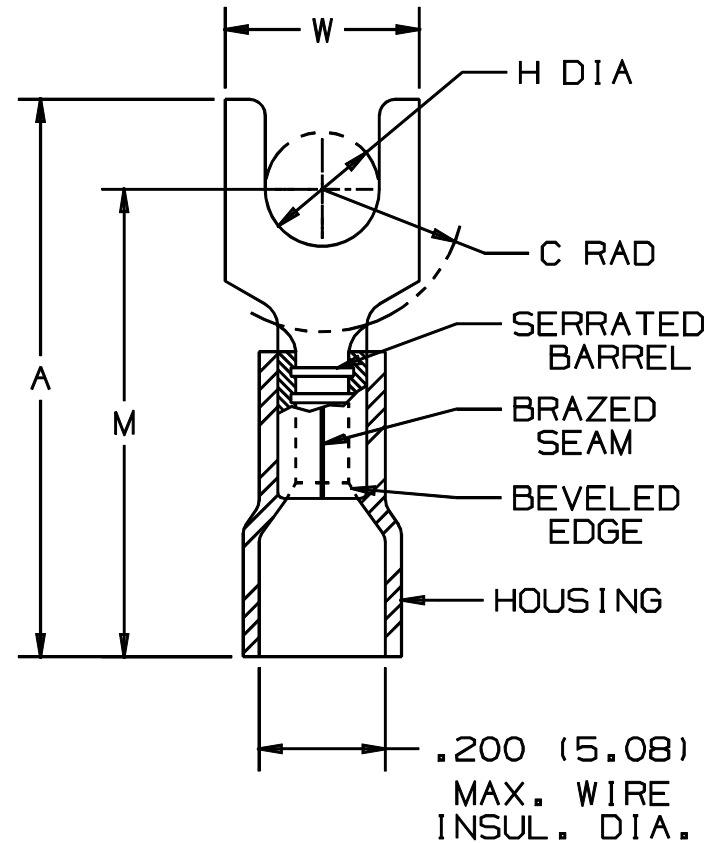
- UL LISTED & CSA CERTIFIED FOR
  - A. 600 V. MAX VOLTAGE RATING (1000 V. MAX IN SIGNS, FIXTURES AND LUMINAIRES).
  - B. 18-14 AWG SOLID OR STRANDED COPPER WIRE & 221°F (105°C) MAX TEMP RATING, WITH THE CT-500, CT-550 CT-1551, CT-1550 INSTALLATION TOOLS.
  - C. 16-14 AWG SOLID OR STRANDED COPPER WIRE & 167°F (75°C) MAX TEMP RATING WITH THE CT-100 INSTALLATION TOOLS.
- MATERIAL:
  - A. STAMPING - .03 (.08) THK COPPER, TIN PLATED
  - B. HOUSING - VINYL, BLUE
- STRIP LENGTH 5/16 <sup>+1/32</sup> <sub>0</sub>
- PACKAGE QTY:
  - C=100
  - M=1000
- DIMENSIONS IN BRACKETS ARE IN MILLIMETERS.



LISTED  
587H  
E52164



CERTIFIED  
LR31212



A41258\_06

06	1/01	RM		FILESPEC WAS N41258AA_PCD_05				<b>PANDUIT</b> CORP. TINLEY PARK, ILLINOIS			
05		JKD		ADDED CT-1551 & CT-1550 TOOLS	07634						
4	9-94	MS	RLS	TEMP. RATING (221°F) WAS 212°F	02482	LA	TM	#16-14 BARREL VINYL INSULATED FORK, .200 (5.08) MAX WIRE INSUL DIA.			
3	9-94	MS	RS	REVISED DIMENSIONS AND NOTES	02476	02476	LA				
REV	DATE	BY	CHK	DESCRIPTION	ECN	CUST	PM	DRAWN BY DAW	CHK'D RLS	SCALE NONE	DRAWING NO. A41258