



Chipsmall Limited consists of a professional team with an average of over 10 year of expertise in the distribution of electronic components. Based in Hongkong, we have already established firm and mutual-benefit business relationships with customers from,Europe,America and south Asia,supplying obsolete and hard-to-find components to meet their specific needs.

With the principle of “Quality Parts,Customers Priority,Honest Operation,and Considerate Service”,our business mainly focus on the distribution of electronic components. Line cards we deal with include Microchip,ALPS,ROHM,Xilinx,Pulse,ON,Everlight and Freescale. Main products comprise IC,Modules,Potentiometer,IC Socket,Relay,Connector.Our parts cover such applications as commercial,industrial, and automotives areas.

We are looking forward to setting up business relationship with you and hope to provide you with the best service and solution. Let us make a better world for our industry!



## Contact us

Tel: +86-755-8981 8866 Fax: +86-755-8427 6832

Email & Skype: info@chipsmall.com Web: www.chipsmall.com

Address: A1208, Overseas Decoration Building, #122 Zhenhua RD., Futian, Shenzhen, China



THIS COPY IS PROVIDED ON A RESTRICTED BASIS AND IS NOT TO BE USED IN ANY WAY DETRIMENTAL TO THE INTERESTS OF PANDUIT CORP.

Part number		STUD SIZE	Maximum insulation diameter	DIMENSIONS in.			
Prefix	PK			A <sup>±.03 (.8)</sup>	W <sup>±.010 (.25)</sup>	C MM	G <sup>±.03 (.8)</sup>
PV14-6FF	-C -M	#6	.165 (4,19)	.88 (23,4)	.28 (7,1)	.19 (4,8)	.72 (18,3)
PV14-8FF	-C -M	#8		.94 (23,9)	.31 (7,9)	.23 (5,8)	.76 (19,3)
PV14-10FF	-C -M	#10		.94 (23,9)	.35 (8,9)	.23 (5,8)	.76 (19,3)

**NOTES:**

**1. Used for:**

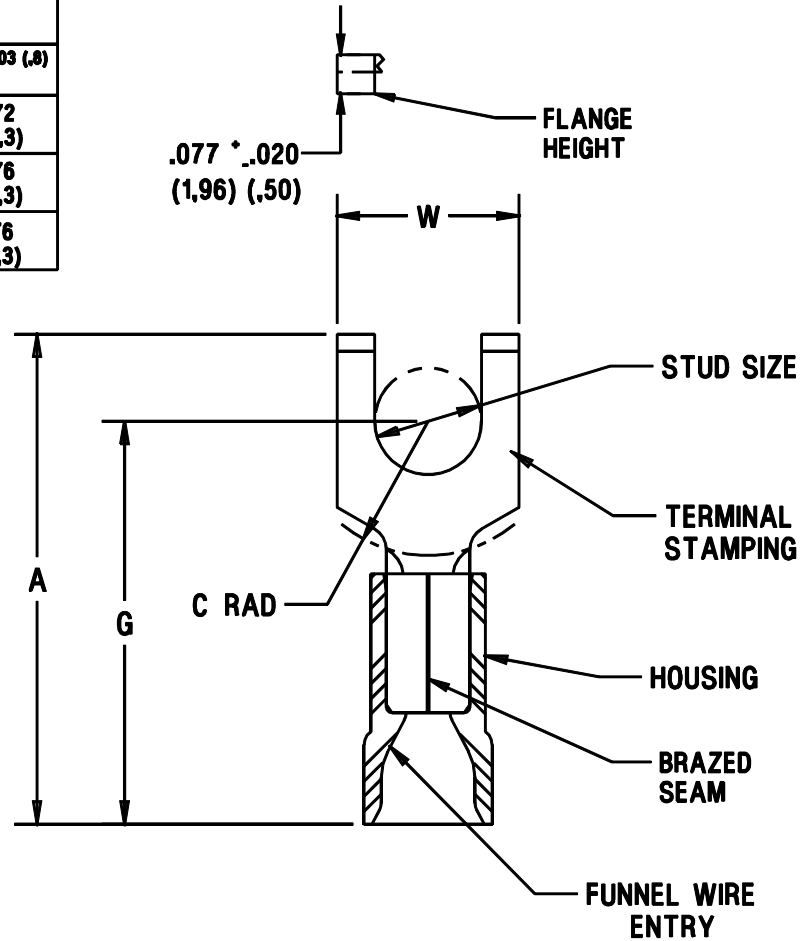
- A. 600 max voltage rating.
- B. #16-14 AWG Solid or stranded copper wire range, Temperature rating of insulation: 105°C(221°F) with CT-1551, CT-1550 installation tools.
- C. #16-14 AWG Solid or stranded copper wire range, 75°C(167°F) max temp rating with CT-100 installation tool

2. Wire strip length: 5/16 <sup>+1/32</sup> <sub>-0</sub> (7,9 <sup>+0,8</sup> <sub>-0</sub>)

3. Package Quantity (Suffix to basic part no.)  
 A. Standard -C=100  
 B. Bulk -M=1000

4. Material:  
 A. Stamping: .032 (.81) thick tin plated copper  
 B. Housing: Blue vinyl

5. Dimensions in brackets are in millimeters



A41573\_03

03	01/01	EJS		FILE SPEC WAS IN41573AA_PCD_02.REMOVED INSTALLATION TOOLS FROM NOTE 1-3, ADDED "FLANGE HEIGHT" NOTE TO DWG, UPDATED NOTE 1-3 TO TEMP RATING OF INSULATION: 105°C(221°F)				
02	5/99	JKD	SKB	ADDED CT-1551 & CT-1550 TOOLS	07632	TRO	JCJ	
01	11/94	MS		ADDED UL/CSA APPROVAL SYMBOLS	02639	JJM	LA	
00	8/94	MS	WJB	RELEASED	02387	KS	LA	
REV	DATE	BY	CHK	DESCRIPTION	ECN NO.	PM	CUST	DRAWN BY MS Ck'D SCALE NONE DRAWING NO. A41573