



Chipsmall Limited consists of a professional team with an average of over 10 year of expertise in the distribution of electronic components. Based in Hongkong, we have already established firm and mutual-benefit business relationships with customers from,Europe,America and south Asia,supplying obsolete and hard-to-find components to meet their specific needs.

With the principle of “Quality Parts,Customers Priority,Honest Operation,and Considerate Service”,our business mainly focus on the distribution of electronic components. Line cards we deal with include Microchip,ALPS,ROHM,Xilinx,Pulse,ON,Everlight and Freescale. Main products comprise IC,Modules,Potentiometer,IC Socket,Relay,Connector.Our parts cover such applications as commercial,industrial, and automotives areas.

We are looking forward to setting up business relationship with you and hope to provide you with the best service and solution. Let us make a better world for our industry!



## Contact us

Tel: +86-755-8981 8866 Fax: +86-755-8427 6832

Email & Skype: info@chipsmall.com Web: www.chipsmall.com

Address: A1208, Overseas Decoration Building, #122 Zhenhua RD., Futian, Shenzhen, China

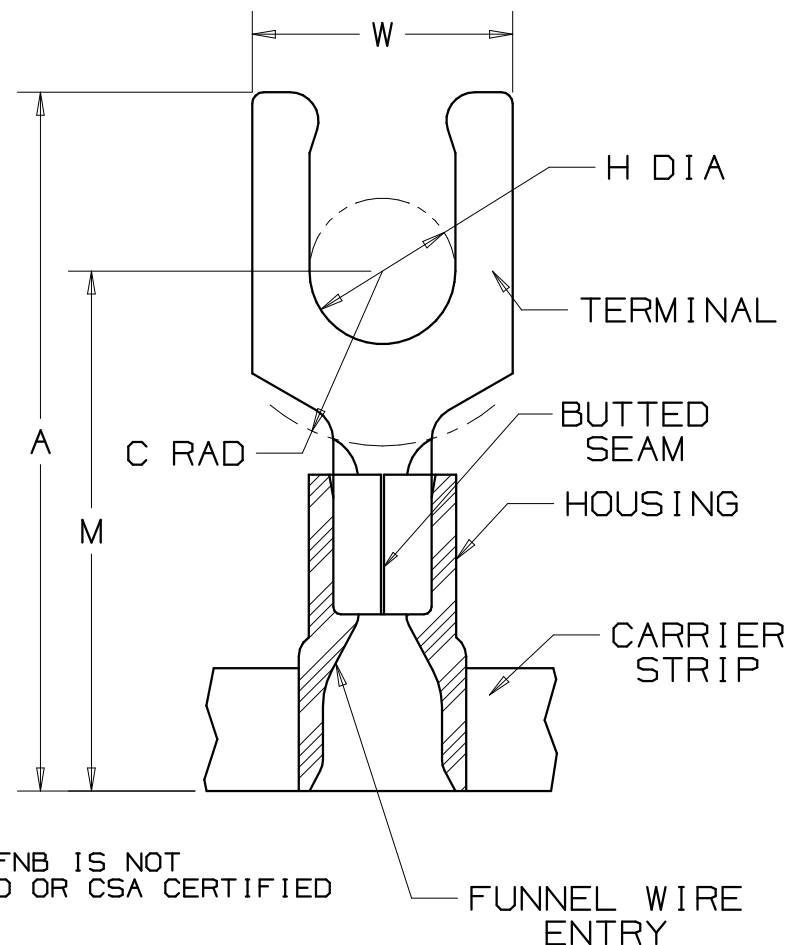


THIS COPY IS PROVIDED ON A RESTRICTED BASIS AND IS NOT TO BE USED IN ANY WAY DETRIMENTAL TO THE INTERESTS OF PANDUIT CORP.

PART NUMBER		STUD SIZE	DIMENSIONS in.				
PREFIX	PK		A $\pm .03$ (.8)	W $\pm .01$ (.3)	C $\pm .015$ (.4)	M $\pm .03$ (.8)	H $\pm .01$ (.3)
PV18-6LFB	-3K	#6	.80 (20.3)	.27 (6.86)	.19 (4.7)	.60 (15.2)	.15 (3.8)
PV18-6LFWB	-3K	#6	.83 (21.1)	.29 (7.4)	.19 (4.7)	.61 (15.5)	.14 (3.6)
PV18-8LFB	-3K	#8	.87 (22.1)	.29 (7.3)	.23 (5.8)	.65 (16.5)	.16 (4.1)
PV18-10LFB	-3K	#10	.87 (22.1)	.33 (8.3)	.23 (5.8)	.65 (16.5)	.19 (4.8)
PV18-10LFBN*	-3K	#10	.87 (22.1)	.29 (7.2)	.23 (5.8)	.65 (16.5)	.19 (4.8)

NOTES :

- UL LISTED AND CSA CERTIFIED FOR:
  - 600 V MAX. VOLTAGE RATING (1000V. MAX. IN SIGNS, FIXTURES & LUMINARIES)
  - 221°F (105°C) MAX. TEMP. RATING OF INSULATION MATERIAL.
  - #22-18 AWG SOLID OR STRANDED, COPPER WIRE (.5-1.5 mm<sup>2</sup>)
- PACKAGE QTY.: 3K = 3000 PCS.  
CONTINUOUS MOLDED CARRIER STRIP
- MATERIAL:
  - STAMPING - .032 (.81) THK COPPER, TIN PLATED
  - HOUSING - RED VINYL
- WIRE STRIP LENGTH: 1/4  $\begin{matrix} +1/32 \\ -0 \end{matrix}$  (6.3  $\begin{matrix} +.8 \\ -.0 \end{matrix}$ )
- DIMENSIONS IN BRACKETS ARE IN MILLIMETERS OR mm<sup>2</sup>
- INSTALLATION TOOLS:
  - PRESSES - CP-851, CP-860, CP-861, CP-862
  - APPLICATOR - CA-800, CA9
  - DIE INSERTS - CD-800-1, CD9-1A
- MAX. WIRE INSUL. DIA. - .150 (3.81)



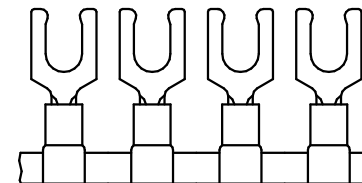
\* PV18-10LFBN IS NOT UL LISTED OR CSA CERTIFIED



LISTED  
587H  
E52164



CERTIFIED  
LR3122



A41072\_07

07	2/07	DAW	DAW	PV18-6LFB .27 (6.86) DIM. "W" WAS .24 (6.10)	TR00223	LCA	TRO	<p>TINLEY PARK, ILLINOIS</p> <p>TERMO 2PC. CONTINUOUSLY MOLDED VINYL INSULATED, #22-18 BARREL, LOCKING FORKS</p>			
06	3/03	KJS	SKB	PV18-LFB "W" DIM. WAS .24(6.1) ADDED CP-862, CA9, CD9-1A	10690	SKB	TRO				
05	12/00	SAB	SKB	FILESPEC WAS N41072AA_PCD_04	8925	JAC	CCH				
04	2/97	JAMB		UPDATE NOTES, "W" DIM. ON PV18-6LFB WAS .27(6.9) ORIGINAL FILE SPEC WAS NPC_A41072_03.	5571						
REV	DATE	BY	CHK	DESCRIPTION	ECN	CUST	PM	DRAWN BY DSM	CHK'D FS	SCALE NONE	DRAWING NO. A41072