



Chipsmall Limited consists of a professional team with an average of over 10 year of expertise in the distribution of electronic components. Based in Hongkong, we have already established firm and mutual-benefit business relationships with customers from,Europe,America and south Asia,supplying obsolete and hard-to-find components to meet their specific needs.

With the principle of “Quality Parts,Customers Priority,Honest Operation,and Considerate Service”,our business mainly focus on the distribution of electronic components. Line cards we deal with include Microchip,ALPS,ROHM,Xilinx,Pulse,ON,Everlight and Freescale. Main products comprise IC,Modules,Potentiometer,IC Socket,Relay,Connector.Our parts cover such applications as commercial,industrial, and automotives areas.

We are looking forward to setting up business relationship with you and hope to provide you with the best service and solution. Let us make a better world for our industry!



## Contact us

Tel: +86-755-8981 8866 Fax: +86-755-8427 6832

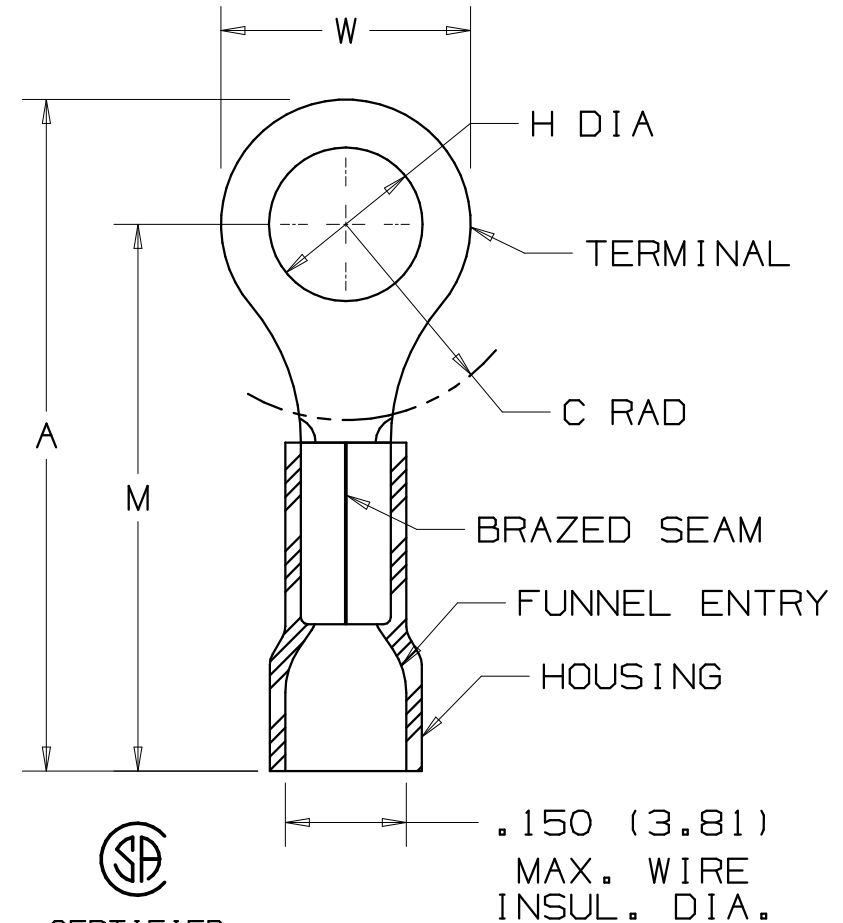
Email & Skype: info@chipsmall.com Web: www.chipsmall.com

Address: A1208, Overseas Decoration Building, #122 Zhenhua RD., Futian, Shenzhen, China



PANDUIT PART NUMBER		STUD SIZE	DIMENSIONS in.				
			A ±.03	W ±.010	C ±.02	M ±.03	H ±.010
PV18-4R	-CY -MY	#4	.84 (21.3)	.25 (6.4)	.22 (5.6)	.69 (17.5)	.12 (3.1)
PV18-6R	-CY -MY	#6	.86 (21.8)	.25 (6.4)	.22 (5.6)	.70 (17.8)	.15 (3.8)
PV18-8R	-CY -MY	#8	.91 (23.1)	.31 (7.9)	.26 (6.6)	.78 (19.8)	.17 (4.3)
PV18-10R	-CY -MY	#10	.94 (23.9)	.31 (7.9)	.27 (6.9)	.78 (19.8)	.20 (5.1)
PV18-14R	-CY -MY	1/4"	1.11 (28.2)	.46 (11.7)	.37 (9.4)	.88 (22.4)	.27 (6.9)
PV18-56R	-CY -MY	5/16"	1.11 (28.2)	.46 (11.7)	.39 (9.9)	.88 (22.4)	.34 (8.6)
PV18-38R	-CY -MY	3/8"	1.19 (30.2)	.53 (13.5)	.42 (10.7)	.96 (24.4)	.40 (10.2)
PV18-12R	-CY	1/2"	1.42 (36.1)	.72 (18.3)	.53 (13.5)	1.06 (26.9)	.52 (13.2)

Panduit part numbers shown on this drawing meet the material requirements of RoHS (European Directive 2002/95/EC on the Restriction of Hazardous Substances) as proposed by the Technical Adaptation Committee.



**Notes:**

**1. UL LISTED & CSA CERTIFIED FOR:**

- A. 600 max voltage rating (1000 V. MAX. IN SIGNS, FIXTURES AND LUMINAIRES.)
- B. #22-16 AWG Solid or stranded copper wire range, 221°F (105°C) max temp rating with CT-500,CT-550,CT-1550 and,CT-1551 installation tools.
- C. #22-18 AWG Solid or stranded copper wire range, 167°F (75°C) max temp rating with CT-100 installation tool.

2. Wire strip length: 5/16<sup>+1/32</sup><sub>-0</sub> (7.9<sup>+0.8</sup><sub>-0</sub>)

3. Package Quantity (Suffix to basic part no.):

- A. Standard -CY=100 B. Bulk -MY=1000

4. Material:

- A. Stamping: .032 (.81) thick tin plated copper
- B. Housing: Red vinyl

5. Dimensions in brackets are in millimeters



LISTED  
587H  
E52164



CERTIFIED  
LR31212

A41268\_10

10	3/06	DAW	DAW	REMOVED -C & -M, ADDED -CY AND RoHS COMPLIANCY NOTE	TRO0093	LCA	TRO	<p>TINLEY PARK, ILLINOIS</p> <p>#22-18 BARREL FUNNELED VINYL INSULATED RING TONGUE, .150 (3.81) MAX WIRE INSULATION DIAMETER</p>
09	5/05	JHNU		ADDED PACKAGING CODE "MY" TO DRAWING.				
08	5/02	SRB	SKB	ADDED PV18-12R AND REVISED FUNNEL ENTRY	10231	LA	TRO	
07	4/01	SAB		ADDED PACKAGING CODES AND REMOVED PV18-6RN	10171		TRO	
REV	DATE	BY	CHK	DESCRIPTION	ECN #	CUST	PM	DRAWN BY: DAW CHK'D: SCALE: NONE DRAWING NO.: A41268