



Chipsmall Limited consists of a professional team with an average of over 10 year of expertise in the distribution of electronic components. Based in Hongkong, we have already established firm and mutual-benefit business relationships with customers from,Europe,America and south Asia,supplying obsolete and hard-to-find components to meet their specific needs.

With the principle of “Quality Parts,Customers Priority,Honest Operation,and Considerate Service”,our business mainly focus on the distribution of electronic components. Line cards we deal with include Microchip,ALPS,ROHM,Xilinx,Pulse,ON,Everlight and Freescale. Main products comprise IC,Modules,Potentiometer,IC Socket,Relay,Connector.Our parts cover such applications as commercial,industrial, and automotives areas.

We are looking forward to setting up business relationship with you and hope to provide you with the best service and solution. Let us make a better world for our industry!



Contact us

Tel: +86-755-8981 8866 Fax: +86-755-8427 6832

Email & Skype: info@chipsmall.com Web: www.chipsmall.com

Address: A1208, Overseas Decoration Building, #122 Zhenhua RD., Futian, Shenzhen, China

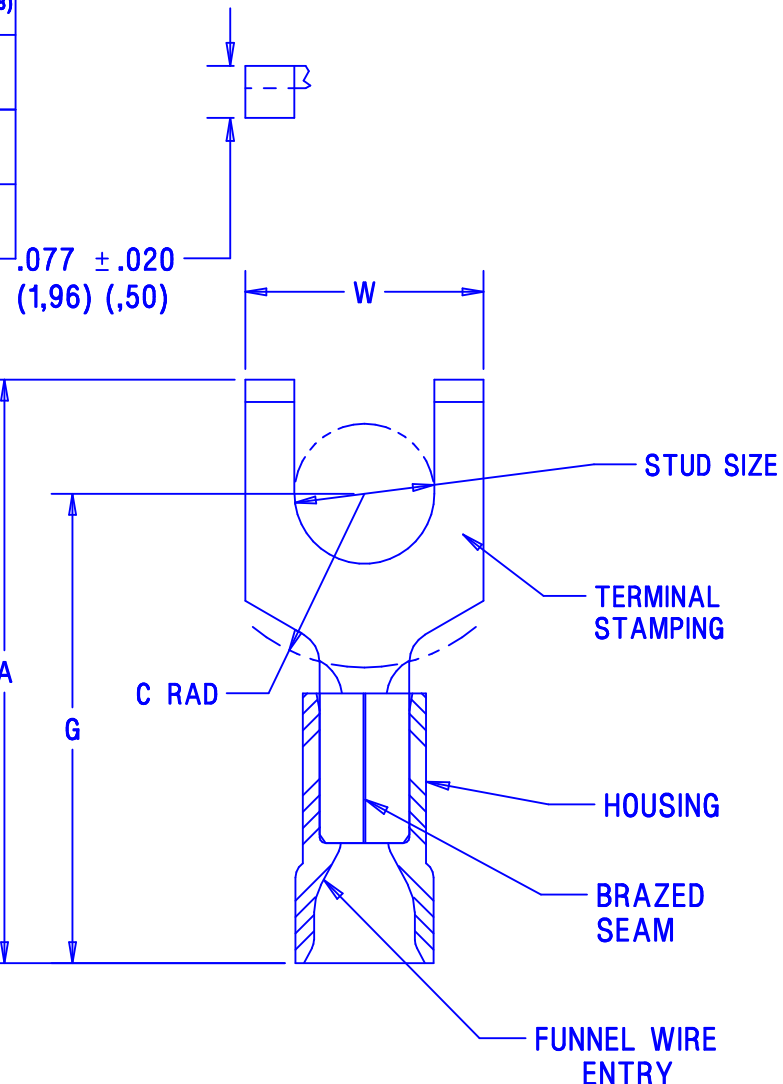


Part number		STUD SIZE	Maximum insulation diameter	DIMENSIONS in.			
Prefix	PK			A $\pm .03$ (.8)	W $\pm .010$ (.25)	C MIN	G $\pm .03$ (.8)
PV18-6FF	-C -M -MY	#6	.150 (3,81)	.87 (22,1)	.28 (7,1)	.19 (4,8)	.71 (18,0)
PV18-8FF	-C -M -MY	#8		.94 (23,9)	.31 (7,9)	.23 (5,8)	.75 (19,1)
PV18-10FF	-C -M -MY	#10		.93 (23,6)	.35 (8,9)	.23 (5,8)	.75 (19,1)

Notes:

Used for:

- A. 600 max voltage rating
 - B. #22-16 AWG Solid or stranded copper wire range, 221°F (105°C) max temp rating with CT-1551, CT-1550 installation tools.
 - C. #22-18 AWG Solid or stranded copper wire range, 167°F (75°C) max temp rating with CT-100 installation tool
2. Wire strip length: $5/16^{+1/32}$ (7.9 $^{+0.8}_{-0}$)
 3. Package Quantity (Suffix to basic part no.):
 - A. Standard -C=100
 - B. Bulk -M=1000, -MY=1000
 4. Material:
 - A. Stamping: .032 (.81) thick tin plated copper
 - B. Housing: Red vinyl
 5. Dimensions in brackets are in millimeters



LISTED
587H
E52164



CERTIFIED
LR31212

05	5/05	JHNU		ADDED PACKAGING CODE "MY" TO DRAWING.			
04	1/01	RM	SKB	FILESPEC WAS N41574AA_PCD_03	08933	CCH	JAC
03	11/00	EJS		MAX. WIRE INSUL. DIA. WAS .140, REMOVED TOOLS CT-500,CT-550	08839		
02	5/99	JKD	SKB	ADDED CT-1551, & CT-1550 TOOLS	07632	TRO	JCJ
01	11/94	MS		ADDED UL/CSA APPROVAL SYMBOLS	02638	JJM	LA

A41574_05



CORP.

TINLEY PARK, ILLINOIS

VINYL INSULATED, #22-18 BARREL
FLANGED FORKS

REV	DATE	BY	CHK	DESCRIPTION	ECN NO.	PM	CUST	DRAWN BY	CHK'D	SCALE	DRAWING NO.
								MS		NONE	A41574