



Chipsmall Limited consists of a professional team with an average of over 10 year of expertise in the distribution of electronic components. Based in Hongkong, we have already established firm and mutual-benefit business relationships with customers from,Europe,America and south Asia,supplying obsolete and hard-to-find components to meet their specific needs.

With the principle of “Quality Parts,Customers Priority,Honest Operation,and Considerate Service”,our business mainly focus on the distribution of electronic components. Line cards we deal with include Microchip,ALPS,ROHM,Xilinx,Pulse,ON,Everlight and Freescale. Main products comprise IC,Modules,Potentiometer,IC Socket,Relay,Connector.Our parts cover such applications as commercial,industrial, and automotives areas.

We are looking forward to setting up business relationship with you and hope to provide you with the best service and solution. Let us make a better world for our industry!



## Contact us

Tel: +86-755-8981 8866 Fax: +86-755-8427 6832

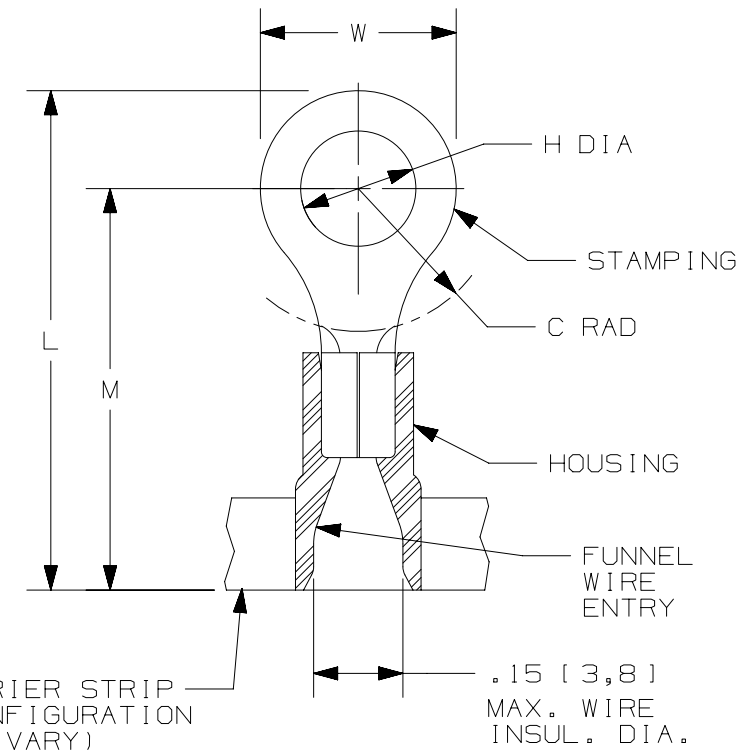
Email & Skype: info@chipsmall.com Web: www.chipsmall.com

Address: A1208, Overseas Decoration Building, #122 Zhenhua RD., Futian, Shenzhen, China



THIS COPY IS PROVIDED ON A RESTRICTED BASIS AND IS NOT TO BE USED IN ANY WAY DETRIMENTAL TO THE INTERESTS OF PANDUIT CORP.

PANDUIT PART #	STUD SIZE		DIMENSIONS in. [mm]				
	ENGLISH	METRIC	L ± .03 [0,8]	W ± .01 [0,3]	C ± .015 [0,4]	M ± .03 [0,8]	H ± .01 [0,3]
PV18-4RNB-3K	#4	--	.74 [18,8]	.21 [5,3]	.19 [4,8]	.63 [16,0]	.12 [3,1]
PV18-4RB-3K	#4	--	.78 [19,8]	.25 [6,4]	.20 [5,1]	.65 [16,5]	.12 [3,1]
PMV1-3RB-3K	--	M3	.76 [19,3]	.23 [5,8]	.20 [5,1]	.65 [16,5]	.13 [3,3]
PV18-6RNB-3K	#6	M3,5	.75 [19,1]	.23 [5,8]	.19 [4,8]	.63 [16,0]	.15 [3,8]
PV18-6RB-3K	#6	M3,5	.78 [19,8]	.25 [6,4]	.20 [5,1]	.65 [16,5]	.15 [3,8]
PV18-8RB-3K	#8	M4	.86 [21,8]	.31 [7,9]	.25 [6,4]	.70 [17,8]	.17 [4,3]
PV18-10RB-3K	#10	--	.86 [21,8]	.31 [7,9]	.25 [6,4]	.70 [17,8]	.20 [5,1]
PMV1-5RB-3K	--	M5	.88 [22,4]	.35 [8,9]	.25 [6,4]	.70 [17,8]	.21 [5,3]
PV18-14RB-3K	1/4"	M6	1.06 [26,9]	.45 [11,4]	.38 [9,7]	.83 [21,1]	.27 [6,9]
PV18-56RB-2K	5/16"	M8	1.06 [26,9]	.46 [11,7]	.38 [9,7]	.83 [21,1]	.33 [8,4]
PV18-38RB-2K	3/8"	M10	1.15 [29,2]	.53 [13,5]	.43 [10,9]	.88 [22,4]	.39 [9,9]



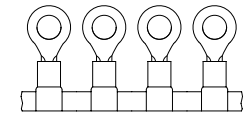
- NOTES:
- USED FOR:
    - A. #22-18 AWG [0,5-1,0 mm<sup>2</sup>] SOLID OR STRANDED COPPER WIRE
    - B. 221 °F [105 °C] MAX. OPERATING TEMPERATURE
    - C. 600 V. MAX. VOLTAGE RATING
  - INSTALLATION TOOLS:
    - A. PRESSES: CP-861, CP-862, CP-871
    - B. APPLICATOR: CA-800EZ, CA9
    - C. DIE INSERTS FOR #4-1/4" STUD: CD-800-1, CD9-1A
    - D. DIE INSERTS FOR 5/16" & 3/8" STUD: CD-800-1, CD9-1B
  - WIRE STRIP LENGTH: 1/4" <sup>+1/32</sup> [6,4<sup>+0,8</sup>]
  - MATERIAL:
    - A. STAMPING: .03" [0,8] THK COPPER, TIN PLATED
    - B. HOUSING: VINYL, RED
  - DIMENSIONS IN BRACKETS ARE METRIC EQUIVALENT



LISTED  
587H  
E52164



CERTIFIED  
LR31212



REV	DATE	BY	CHK	APR	DESCRIPTION	ECN
11	06.30.16	JHNU	JHNU	RGB	REVISED PART NUMBERS: ADDED PKG QTY. REMOVED NOTE REFERENCING PKG. QTY.	N41069BA-DC
10	09.17.12	JBN	LCA	VMB	ADDED METRIC EQUIVALENT. REVISED NOTES. UPDATED DRAWING TO CURRENT STANDARDS.	A41069

TITLE		RING TERMINALS, 2 PC. VINYL INSULATED, #22-18	
		CUSTOMER DRAWING	
ITEM REVISION NAME		N41069BA/11	
DATASET FILE NAME		N41069BA_DC/11A	
UNLESS OTHERWISE SPECIFIED, DIMENSIONAL TOLERANCES ARE: IN [mm]		MATERIAL: SEE NOTES	
.x ± .1 [2.54] .xxx ± .005 [.13]		DRAWING NUMBER: A41069	
.xx ± .01 [.25] ANGLES ± 5 °		THIRD ANGLE PROJECTION	
DRAWN BY	DATE	CHK	SCALE
CLK	-	FS	N.T.S.
SHT 1 OF 1			SIZE A

D10100DA/15