



Chipsmall Limited consists of a professional team with an average of over 10 year of expertise in the distribution of electronic components. Based in Hongkong, we have already established firm and mutual-benefit business relationships with customers from,Europe,America and south Asia,supplying obsolete and hard-to-find components to meet their specific needs.

With the principle of “Quality Parts,Customers Priority,Honest Operation,and Considerate Service”,our business mainly focus on the distribution of electronic components. Line cards we deal with include Microchip,ALPS,ROHM,Xilinx,Pulse,ON,Everlight and Freescale. Main products comprise IC,Modules,Potentiometer,IC Socket,Relay,Connector.Our parts cover such applications as commercial,industrial, and automotives areas.

We are looking forward to setting up business relationship with you and hope to provide you with the best service and solution. Let us make a better world for our industry!



## Contact us

Tel: +86-755-8981 8866 Fax: +86-755-8427 6832

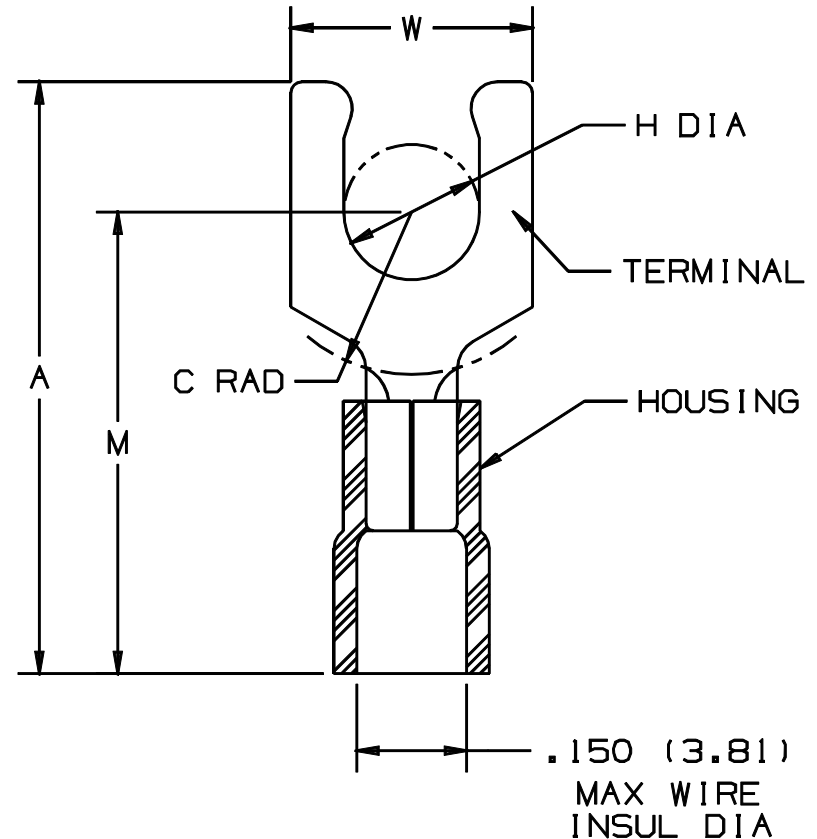
Email & Skype: info@chipsmall.com Web: www.chipsmall.com

Address: A1208, Overseas Decoration Building, #122 Zhenhua RD., Futian, Shenzhen, China



THIS COPY IS PROVIDED ON A RESTRICTED BASIS AND IS NOT TO BE USED IN ANY WAY DETRIMENTAL TO THE INTERESTS OF PANDUIT CORP.

PANDUIT PART NUMBER	STUD SIZE	DIMENSIONS in.				
		A ±.03	W ±.01	C MIN	M ±.03	H ±.01
PV18-5SLF	#5	.82 (20.83)	.26 (6.60)	.19 (4.83)	.70 (17.78)	.13 (3.30)
PV18-6SLF	#6	.82 (20.83)	.27 (6.86)	.19 (4.83)	.70 (17.78)	.14 (3.56)
PV18-8SLF	#8	.87 (22.10)	.29 (7.37)	.23 (5.84)	.75 (19.05)	.16 (4.06)
PV18-10SLF	#10	.88 (22.35)	.33 (8.38)	.23 (5.84)	.74 (18.80)	.19 (4.83)



NOTES:

- CSA CERTIFIED FOR:
  - 600 V MAX. VOLTAGE RATING
  - 221°F (105°C) MAX. TEMP. RATING
  - #22-18 AWG STRANDED COPPER WIRE
- PACKAGE QTY.: STD C=100  
BULK M=1000
- MATERIAL:
  - STAMPING - .032 (.81) THK COPPER, TIN PLATED
  - HOUSING - RED VINYL
- WIRE STRIP LENGTH:  $5/16 \begin{matrix} +1/32 \\ -0 \end{matrix}$  (7.9  $\begin{matrix} +.8 \\ -.0 \end{matrix}$ )
- DIMENSIONS IN BRACKETS ARE IN MILLIMETERS
- INSTALLATION TOOLS:
  - CSA APPROVED: CT-510, CT-1551, CT-1550
  - PANDUIT APPROVED: CT-400



CERTIFIED  
LR31212

A41460\_04

04	1/01	RM		FILESPEC WAS N41460AA_PCD_03				<p>TINLEY PARK, ILLINOIS</p> <p>#22-18 BARREL VINYL INSULATED SHORT LOCKING FORK .150 MAX INSUL DIA</p>								
03		JKD		ADDED CT-1551 & CT-1550 TOOLS	07632											
02	12/94	TH	RLS	UPDATED NOTES AND DIMENSIONS	02708	LA	TFKE									
01	3/91	DL		TANG WIDTH INCREASED PART NO PV18-5SLF, PV18-6SLF	00403	LA	KRS									
REV	DATE	BY	CHK	DESCRIPTION	ECN #	CUST	PM	<table border="1"> <tr> <td>DRN BY</td> <td>CHK'D</td> <td>SCALE</td> <td>DRAWING NO.</td> </tr> <tr> <td>DRL</td> <td>RLS</td> <td>NONE</td> <td>A41460</td> </tr> </table>	DRN BY	CHK'D	SCALE	DRAWING NO.	DRL	RLS	NONE	A41460
DRN BY	CHK'D	SCALE	DRAWING NO.													
DRL	RLS	NONE	A41460													