



Chipsmall Limited consists of a professional team with an average of over 10 year of expertise in the distribution of electronic components. Based in Hongkong, we have already established firm and mutual-benefit business relationships with customers from,Europe,America and south Asia,supplying obsolete and hard-to-find components to meet their specific needs.

With the principle of “Quality Parts,Customers Priority,Honest Operation,and Considerate Service”,our business mainly focus on the distribution of electronic components. Line cards we deal with include Microchip,ALPS,ROHM,Xilinx,Pulse,ON,Everlight and Freescale. Main products comprise IC,Modules,Potentiometer,IC Socket,Relay,Connector.Our parts cover such applications as commercial,industrial, and automotives areas.

We are looking forward to setting up business relationship with you and hope to provide you with the best service and solution. Let us make a better world for our industry!



Contact us

Tel: +86-755-8981 8866 Fax: +86-755-8427 6832

Email & Skype: info@chipsmall.com Web: www.chipsmall.com

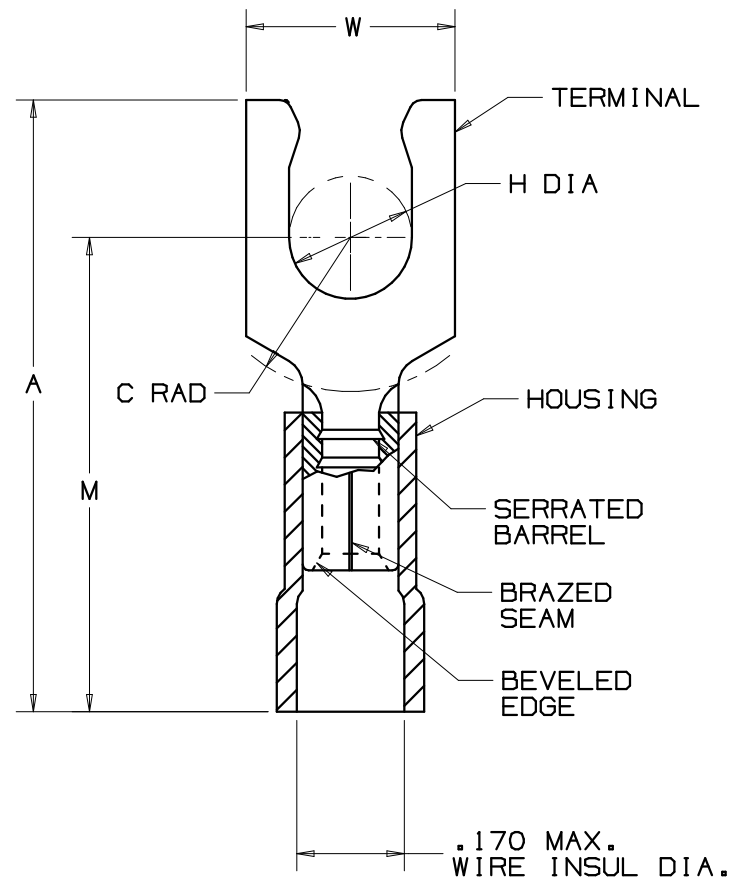
Address: A1208, Overseas Decoration Building, #122 Zhenhua RD., Futian, Shenzhen, China



PANDUIT PART NUMBER		STUD SIZE	DIMENSIONS in.				
PREFIX	PK		A ±.03	W ±.01	C ±.02	M ±.03	H ±.01
PV18-6LFX	-C -M -MY	#6	.95 (24.13)	.27 (6.86)	.20 (5.08)	.76 (19.30)	.15 (3.81)
PV18-8LFX	-C -M -MY	#8	1.01 (25.66)	.29 (7.37)	.20 (5.08)	.80 (20.32)	.17 (4.32)
PV18-10LFX	-C -M -MY	#10	1.04 (26.42)	.33 (8.38)	.23 (5.84)	.78 (18.82)	.20 (5.08)

NOTES:

- UL LISTED & CSA CERTIFIED FOR
 - 600 V. MAX. VOLTAGE RATING (1000 V. MAX. IN SIGNS, FIXTURES AND LUMINAIRES.)
 - 22-16 AWG SOLID OR STRANDED COPPER WIRE & 221°F (105°C) MAX TEMP RATING, WITH THE CT-500, CT-1550, CT-1551 & CT-550 INSTALLATION TOOLS.
 - 22-12 AWG SOLID OR STRANDED COPPER WIRE & 167°F (75°C) MAX TEMP RATING WITH THE CT-100 AND CT-250 INSTALLATION TOOLS.
- MATERIAL:
 - STAMPING - .032 (.81) THK COPPER, TIN PLATED
 - HOUSING - VINYL, RED
- STRIP LENGTH 5/16 ^{+1/32}₋₀
- PACKAGE QTY.: -C=100/-M=1000 / -MY=1000
- DIMENSIONS IN BRACKETS ARE IN MILLIMETERS



LISTED
587H
E52164



CERTIFIED
LR31212

A41676_02

02	2/05	DAW	DAW	REDRAW BARREL SERRATIONS	TR00079					<p>TINLEY PARK, ILLINOIS</p> <p>#22-18 BARREL VINYL INSULATED LOCKING FORK, .170 MAX. EXPANDED WIRE INSULATION DIAMETER</p>			
01	5/05	JHNU		ADDED PACKAGING CODE "MY" TO DRAWING.	12743			TRO	LA				
00	6/99	MS	MS	RELEASED	07720			JM	JCJ				
REV	DATE	BY	CHK	DESCRIPTION	ECN #	QA	CUST	PM	APP	DRAWN BY MS	CHK'D	SCALE NONE	DRAWING NO. A41676