



Chipsmall Limited consists of a professional team with an average of over 10 year of expertise in the distribution of electronic components. Based in Hongkong, we have already established firm and mutual-benefit business relationships with customers from,Europe,America and south Asia,supplying obsolete and hard-to-find components to meet their specific needs.

With the principle of “Quality Parts,Customers Priority,Honest Operation,and Considerate Service”,our business mainly focus on the distribution of electronic components. Line cards we deal with include Microchip,ALPS,ROHM,Xilinx,Pulse,ON,Everlight and Freescale. Main products comprise IC,Modules,Potentiometer,IC Socket,Relay,Connector.Our parts cover such applications as commercial,industrial, and automotives areas.

We are looking forward to setting up business relationship with you and hope to provide you with the best service and solution. Let us make a better world for our industry!



## Contact us

Tel: +86-755-8981 8866 Fax: +86-755-8427 6832

Email & Skype: info@chipsmall.com Web: www.chipsmall.com

Address: A1208, Overseas Decoration Building, #122 Zhenhua RD., Futian, Shenzhen, China

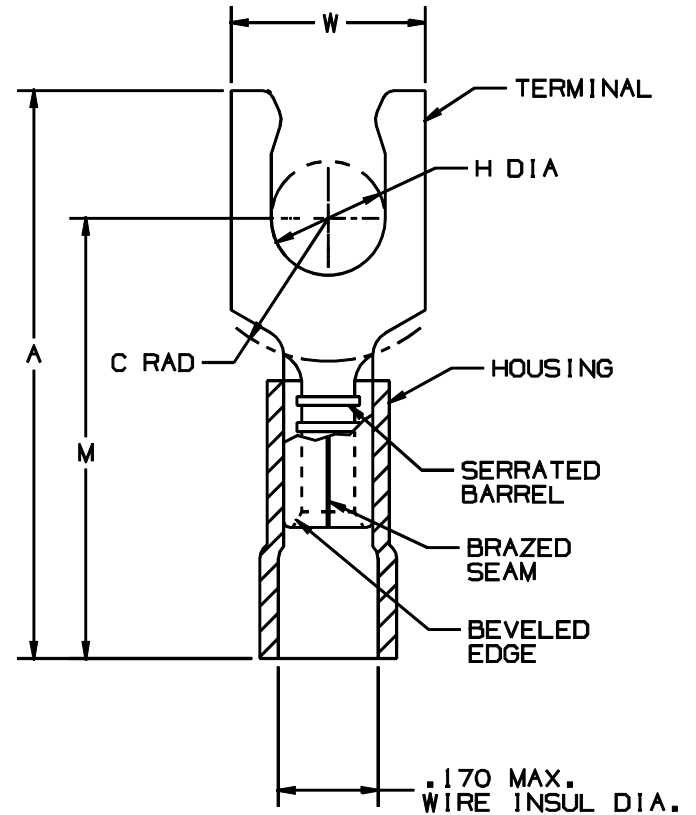


THIS COPY IS PROVIDED ON A RESTRICTED BASIS AND IS NOT TO BE USED IN ANY WAY DETRIMENTAL TO THE INTERESTS OF PANDUIT CORP.

PANDUIT PART NUMBER	STUD SIZE	DIMENSIONS in.				
		A $\pm .03$	W $\pm .01$	C $\pm .02$	M $\pm .03$	H $\pm .01$
PV18-6LFX	#6	.95 (24.13)	.27 (6.86)	.20 (5.08)	.76 (19.30)	.15 (3.81)
PV18-8LFX	#8	1.01 (25.66)	.29 (7.37)	.20 (5.08)	.80 (20.32)	.17 (4.32)
PV18-10LFX	#10	1.04 (26.42)	.33 (8.38)	.23 (5.84)	.78 (18.82)	.20 (5.08)

NOTES:

- UL LISTED & CSA CERTIFIED FOR
  - 600 V. MAX. VOLTAGE RATING (1000 V. MAX. IN SIGNS, FIXTURES AND LUMINAIRES.)
  - 22-16 AWG SOLID OR STRANDED COPPER WIRE & 221°F (105°C) MAX TEMP RATING, WITH THE CT-500, CT-1550, CT-1551 & CT-550 INSTALLATION TOOLS.
  - 22-12 AWG SOLID OR STRANDED COPPER WIRE & 167°F (75°C) MAX TEMP RATING WITH THE CT-100 AND CT-250 INSTALLATION TOOLS.
- MATERIAL:
  - STAMPING - .032 (.81) THK COPPER, TIN PLATED
  - HOUSING - VINYL, RED
- STRIP LENGTH 5/16  $\pm 1/32$  .0
- PACKAGE QTY.: -C=100/-M=1000
- DIMENSIONS IN BRACKETS ARE IN MILLIMETERS



LISTED  
587H  
E52164



CERTIFIED  
LR31212

A41676\_00

										<b>PANDUIT</b> CORP.		TINLEY PARK, ILLINOIS					
										#22-18 BARREL VINYL INSULATED LOCKING FORK, .170 MAX. EXPANDED WIRE INSULATION DIAMETER							
O		MS		RELEASED						DRAWN BY	MS	CHK'D		SCALE	NONE	DRAWING NO.	A41676
REV	DATE	BY	CHK	DESCRIPTION	ECN #	QA	CUST	PM	APP								