



Chipsmall Limited consists of a professional team with an average of over 10 year of expertise in the distribution of electronic components. Based in Hongkong, we have already established firm and mutual-benefit business relationships with customers from,Europe,America and south Asia,supplying obsolete and hard-to-find components to meet their specific needs.

With the principle of “Quality Parts,Customers Priority,Honest Operation,and Considerate Service”,our business mainly focus on the distribution of electronic components. Line cards we deal with include Microchip,ALPS,ROHM,Xilinx,Pulse,ON,Everlight and Freescale. Main products comprise IC,Modules,Potentiometer,IC Socket,Relay,Connector.Our parts cover such applications as commercial,industrial, and automotives areas.

We are looking forward to setting up business relationship with you and hope to provide you with the best service and solution. Let us make a better world for our industry!



Contact us

Tel: +86-755-8981 8866 Fax: +86-755-8427 6832

Email & Skype: info@chipsmall.com Web: www.chipsmall.com

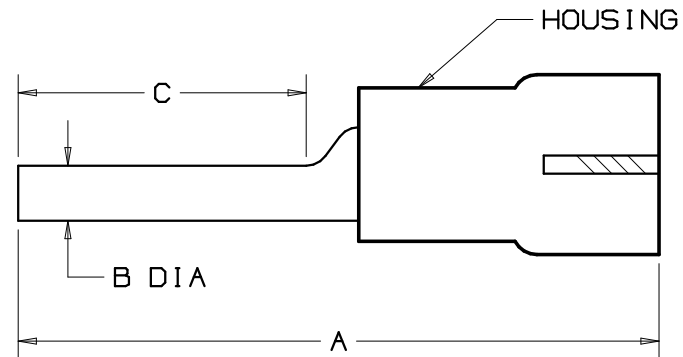
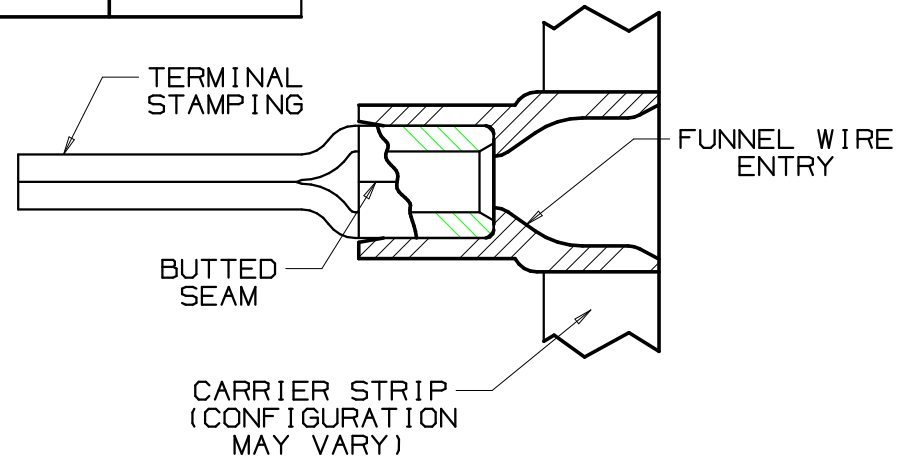
Address: A1208, Overseas Decoration Building, #122 Zhenhua RD., Futian, Shenzhen, China



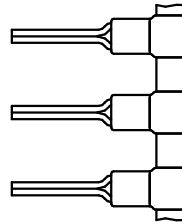
PANDUIT PART #		WIRE RANGE AWG (mm ²)	DIMENSIONS in				HOUSING COLOR	TOOL CHART	
PREFIX	PK		A $\pm .03$ (.8)	B $\pm .01$ (.3)	C MIN	MAX WIRE INSUL DIA		RECOMMENDED PRESSES CP-861, CP-860 CP-851	CA-800 DIE INSERTS
PV18-P47B	-3K	22-18 (.5-1.5)	.89 (22.6)	.08 (2.0)	.39 (10.0)	.15 (3.8)	RED	CD-800-1	
PV14-P47B	-3K	16-14 (1.5-2.5)	.89 (22.6)	.08 (2.0)	.39 (10.0)	.17 (4.3)	BLUE	CD-800-2	

NOTES:

- USED FOR:
 - A. 600V MAX VOLTAGE RATING
 - B. 105°C (221°F) MAX TEMP RATING
 - C. SOLID OR STRANDED COPPER WIRE
- WIRE STRIP LENGTH: $1/4^{+1/32}_0$ (6.3 $^{+0.8}_0$)
- MATERIAL:
 - A. STAMPING: TIN PLATED COPPER
 - B. HOUSING: VINYL
- PACKAGING:
 - A. BULK ONLY: -3K = 3000 PCS CONTINUOUSLY MOLDED ON REEL
- DIMENSIONS IN BRACKETS ARE IN mm OR mm²



RECOGNIZED
E52164



A41547_04

04	6/06	DAW	DAW	ADDED UL RECOGNIZED MARKING	TRO0142		
03	1/01	RM	--	FILESPEC WAS N41547AA_PCD_01	----	--	--
02	3/99	JKD	SKB	UPDATED NOTES AND DIMENSIONS	07530		
01	2/95	MS	RS	UPDATED NOTES AND DIMENSIONS	02968		
00	12/92	TC	RS	RELEASED	01298	LA	DH
REV	DATE	BY	CHK	DESCRIPTION	ECN #	CUST	PM

PANDUIT

CORP.

TINLEY PARK, ILLINOIS

REELSMART™, TERMO™
VINYL INSULATED, FUNNEL WIRE ENTRY
PIN TERMINALS

DRAWN BY TNC	CHK'D RLS	SCALE NONE	DRAWING NO. A41547
-----------------	--------------	---------------	-----------------------