



Chipsmall Limited consists of a professional team with an average of over 10 year of expertise in the distribution of electronic components. Based in Hongkong, we have already established firm and mutual-benefit business relationships with customers from,Europe,America and south Asia,supplying obsolete and hard-to-find components to meet their specific needs.

With the principle of “Quality Parts,Customers Priority,Honest Operation,and Considerate Service”,our business mainly focus on the distribution of electronic components. Line cards we deal with include Microchip,ALPS,ROHM,Xilinx,Pulse,ON,Everlight and Freescale. Main products comprise IC,Modules,Potentiometer,IC Socket,Relay,Connector.Our parts cover such applications as commercial,industrial, and automotives areas.

We are looking forward to setting up business relationship with you and hope to provide you with the best service and solution. Let us make a better world for our industry!



Contact us

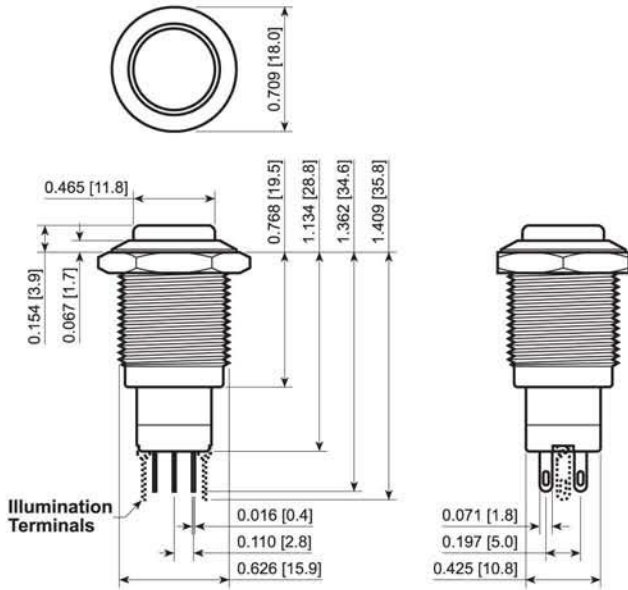
Tel: +86-755-8981 8866 Fax: +86-755-8427 6832

Email & Skype: info@chipsmall.com Web: www.chipsmall.com

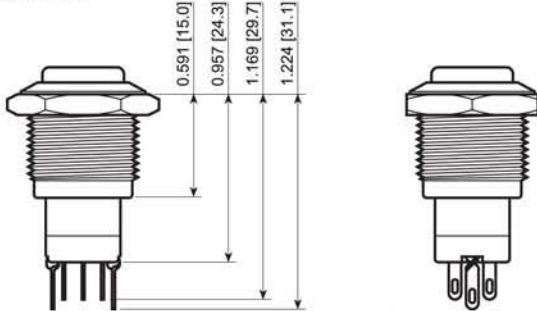
Address: A1208, Overseas Decoration Building, #122 Zhenhua RD., Futian, Shenzhen, China



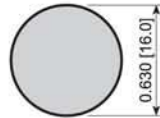
Long Body Version



Short Body Version

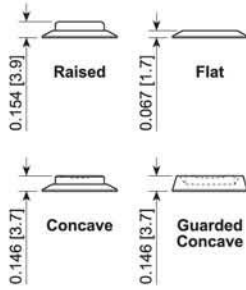


Suggested Panel Cutout

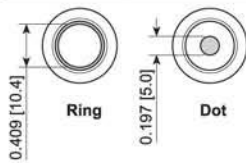


Maximum Panel Thickness:
 Long Body: 0.551 [14.0]
 Short Body: 0.394 [10.0]

Actuator Options



Illumination Options



FEATURES:

- Vandal and Water Resistant
- Many Function, Illumination, and Materials
- Long Life Expectancy

SPECIFICATIONS:

RATING: 2A 48VDC
ILLUMINATION BASE RATING:
 Red, Yellow, and Orange: 20mA 1.8V
 Blue, Green, and White: 20mA 2.8V
TEMPERATURE: -20°C to 55°C
ELECTRICAL LIFE: 50,000 Cycles
CONTACT RESISTANCE: 50mΩ Max. at 1A 12VDC
INSULATION RESISTANCE: 1,000MΩ Min.
DIELECTRIC STRENGTH: 2,000VAC for 1 Minute
INGRESS PROTECTION: IP40 / IP67

MATERIALS:

BUSHING: Gold Plated Brass
 Nickel Plated Brass
 Stainless Steel
 Aluminum
ACTUATOR: Gold Plated Brass
 Nickel Plated Brass
 Stainless Steel
 Aluminum
BASE: Polybutylene Terephthalate, UL94 V-2
 Polycarbonate, UL94 V-2
INNER ASSEMBLY: Polyoxymethylene, UL94 HB
 Polycarbonate, UL94 V-2
 Brass
SPRING: Phosphor Bronze
MOBILE CONTACT: Phosphor Bronze
CONTACT: Nickel-Silver
TERMINALS: Silver Plated Brass
HARDWARE: Nickel Plated Brass

EXAMPLE PART NUMBERS:

- PV3F230NN 1P On-On
Flat Actuator, Nickel Plated Finish
- PV3F230SS 1P On-On
Flat Actuator, Stainless Steel Body
- PV3F2B0NN 1P On-(On)
Flat Actuator, Nickel Plated Finish
- PV3F2B0SS 1P On-(On)
Flat Actuator, Stainless Steel Body
- PV3F2G0NN 2P On-On
Flat Actuator, Nickel Plated Finish
- PV3F2G0NN-214 2P On-On
Flat Actuator, Red Dot Illum., Nickel Plated
- PV3F2G0NN-314 2P On-On
Flat Actuator, Red Ring Illum., Nickel Plated
- PV3F2G0SS 2P On-On
Flat Actuator, Stainless Steel Body
- PV3F2H0NN 2P On-(On)
Flat Actuator, Nickel Plated Finish
- PV3F2H0NN-214 2P On-(On)
Flat Actuator, Red Dot Illum., Nickel Plated
- PV3F2H0NN-314 2P On-(On)
Flat Actuator, Red Ring Illum., Nickel Plated
- PV3F2H0SS 2P On-(On)
Flat Actuator, Stainless Steel Body
- PV3H230NN 1P On-On
High Actuator, Nickel Plated Finish
- PV3H2B0NN 1P On-(On)
High Actuator, Nickel Plated Finish
- PV3H2B0SS 1P On-(On)
High Actuator, Stainless Steel Finish
- PV3H2G0NN 2P On-On
High Actuator, Nickel Plated Finish
- PV3H2G0NN-214 2P On-On
High Actuator, Red Dot Illum., Nickel Plated
- PV3H2G0NN-314 2P On-On
High Actuator, Red Ring Illum., Nickel Plated
- PV3H2H0NN 2P On-(On)
High Actuator, Nickel Plated Finish



PV3H2G0NN-344



PV3H2B0NN

Series	Actuator Options	Terminal	Function	Rating	Body Finish	Actuator Finish	Contact Material	Lens Style	Lens Color	Illumination Voltage
□ □ □ □ □	F - Flat H - High C - Concave G - Guarded Concave	2 - Solder	1 Pole: B - On-(On) 2 Pole: H - On-(On)	0 - 2A 48VDC	1 - Black G - Gold N - Nickel B - Brushed Stainless S - Polished Stainless	1 - Black 2 - White 7 - Blue 8 - Green 9 - Red G - Gold N - Nickel B - Brushed Stainless S - Polished Stainless	None - Silver G - Gold	2 - Dot 3 - Ring	0 - White 1 - Red 2 - Orange 3 - Green 4 - Blue 5 - Yellow	1 - Base Voltage 3 - 6V 4 - 12V 5 - 24V 6 - 125V 7 - 250V

Notes:
 * = Not available with illumination options.
 Additional material, illumination, and marking options are available. Please ask your sales person.

SPECIFICATIONS SUBJECT TO CHANGE WITHOUT NOTICE

ANTI-VANDAL

