



Chipsmall Limited consists of a professional team with an average of over 10 year of expertise in the distribution of electronic components. Based in Hongkong, we have already established firm and mutual-benefit business relationships with customers from,Europe,America and south Asia,supplying obsolete and hard-to-find components to meet their specific needs.

With the principle of “Quality Parts,Customers Priority,Honest Operation,and Considerate Service”,our business mainly focus on the distribution of electronic components. Line cards we deal with include Microchip,ALPS,ROHM,Xilinx,Pulse,ON,Everlight and Freescale. Main products comprise IC,Modules,Potentiometer,IC Socket,Relay,Connector.Our parts cover such applications as commercial,industrial, and automotives areas.

We are looking forward to setting up business relationship with you and hope to provide you with the best service and solution. Let us make a better world for our industry!



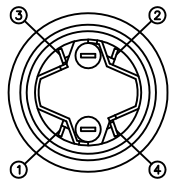
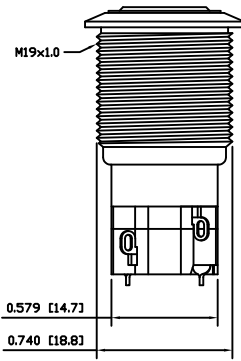
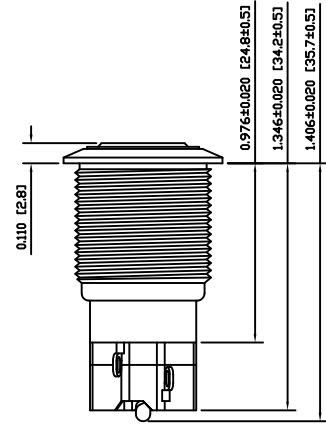
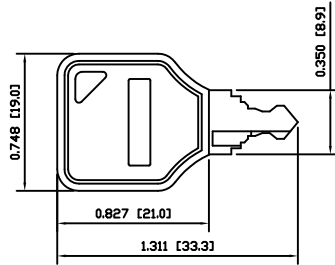
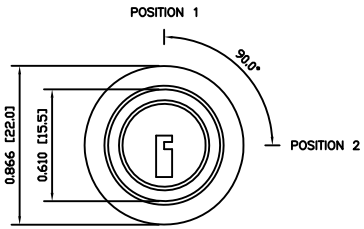
Contact us

Tel: +86-755-8981 8866 Fax: +86-755-8427 6832

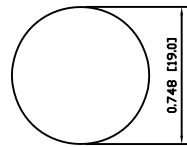
Email & Skype: info@chipsmall.com Web: www.chipsmall.com

Address: A1208, Overseas Decoration Building, #122 Zhenhua RD., Futian, Shenzhen, China



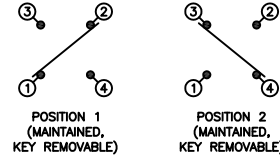


SUGGESTED PANEL CUTOUT



MAXIMUM PANEL THICKNESS: 0.472 [12.0mm]

SCHEMATIC



SPECIFICATIONS

FUNCTION:
1PNO OFF-ON + 1PNC ON-OFF

RATING:
2A 24VDC

CONTACT RESISTANCE:
Initial: 50mΩ Max. at 1A 12VDC

INSULATION RESISTANCE:
1,000MΩ Min. at 500VDC

DIELECTRIC STRENGTH:
1,000VAC Min. for 1 Minute

ELECTRICAL LIFE:
30,000 Cycles

MECHANICAL LIFE:
1,000,000 Cycles

TEMPERATURE:
Operating: -25°C to 55°C

APPROVALS:

RoHS
COMPLIANT

MATERIALS

BUSHING:
Stainless Steel (304)

BASE:
Polybutylene Terephthalate (PBT), UL94 V-2

RING:
Polycarbonate

CYLINDER:
Zinc

PIN:
Brass

PIN SPRING:
Copper Alloy

HARDWARE:
Nickel Plated Brass (H59)

INNER ASSEMBLY:
Polyamide 6/6 (PA66)
Polyoxymethylene (POM)
Brass (H59)
Copper Alloy

SPRING:
Steel (C18Ni9)

CONTACTS:
Silver

TERMINALS:
Silver Plated Brass (H59)

O-RING:
Nitrile Butadiene Rubber (NBR)

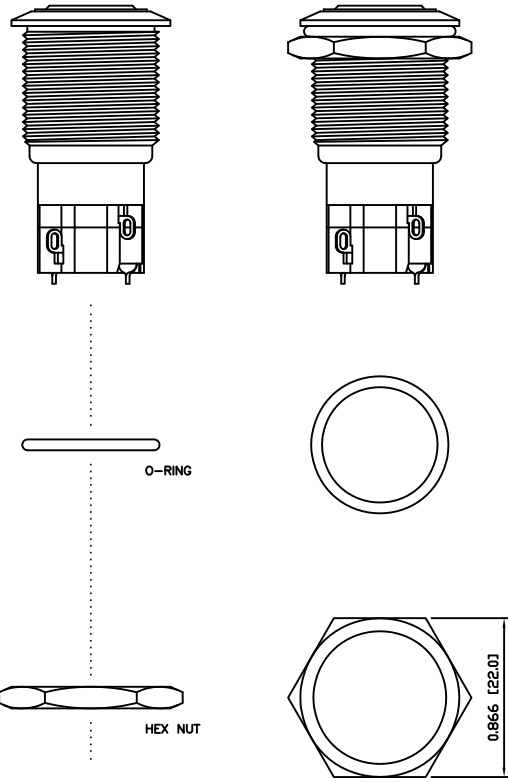
KEY:
Nickel Plated Brass

COLORS AND FINISH

BEZEL:
Stainless Steel
Polished Finish

CYLINDER:
Zinc
Polished Finish

RING:
Red



EXPLODED VIEW

ASSEMBLED VIEW

BODY	A	11/03/14	CAB
COLORS	A	11/03/14	CAB
MATERIALS	A	11/03/14	CAB
SPECIFICATIONS	A	11/03/14	CAB
REFERENCE	REV.	DATE	BY

THE INFORMATION CONTAINED IN THIS DOCUMENT IS PROPRIETARY TO E-SWITCH AND IS NOT TO BE COPIED OR TRANSFERRED

A	INITIAL RELEASE	19755	11/03/15	CAB
REV.	DESCRIPTION	PCR	DATE	DRAWN BY

DIMENSIONS	
INCHES [MILLIMETERS]	
GENERAL TOLERANCES	
±0.008 [±0.2] / ±1'	
SCALE	PROJECTION
DRAWING NOT TO SCALE	1st Angle

PV4K2T0S9			
ITEM NUMBER	DATE	REVISION	
52-PV4K2T0S9	MARCH 15, 2011	A	