



Chipsmall Limited consists of a professional team with an average of over 10 year of expertise in the distribution of electronic components. Based in Hongkong, we have already established firm and mutual-benefit business relationships with customers from,Europe,America and south Asia,supplying obsolete and hard-to-find components to meet their specific needs.

With the principle of “Quality Parts,Customers Priority,Honest Operation,and Considerate Service”,our business mainly focus on the distribution of electronic components. Line cards we deal with include Microchip,ALPS,ROHM,Xilinx,Pulse,ON,Everlight and Freescale. Main products comprise IC,Modules,Potentiometer,IC Socket,Relay,Connector.Our parts cover such applications as commercial,industrial, and automotives areas.

We are looking forward to setting up business relationship with you and hope to provide you with the best service and solution. Let us make a better world for our industry!



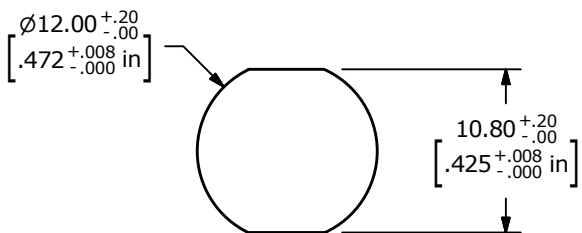
Contact us

Tel: +86-755-8981 8866 Fax: +86-755-8427 6832

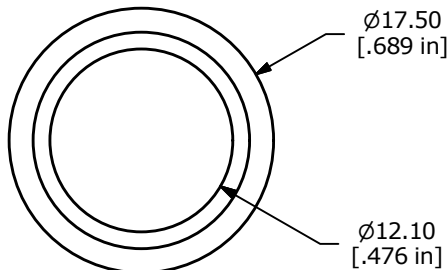
Email & Skype: info@chipsmall.com Web: www.chipsmall.com

Address: A1208, Overseas Decoration Building, #122 Zhenhua RD., Futian, Shenzhen, China



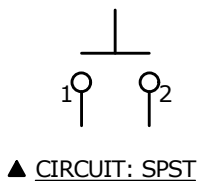


PANEL MOUNTING
MAX. PANEL THICKNESS 4mm



SWITCH FUNCTION	
POS. 1	POS. 2
OFF	(ON)
OPEN	1-2

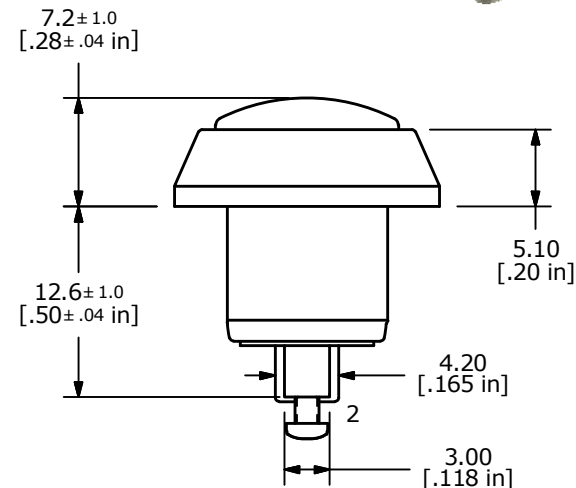
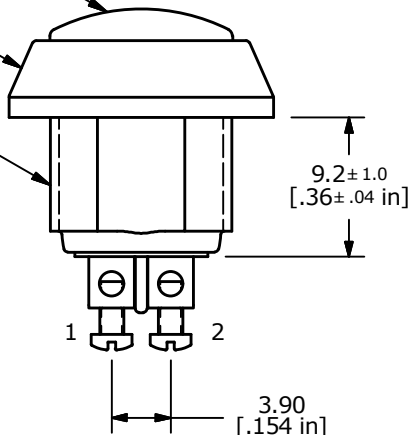
(ON) = MOMENTARY



▲ DOMED ACTUATOR
COLOR: BLACK

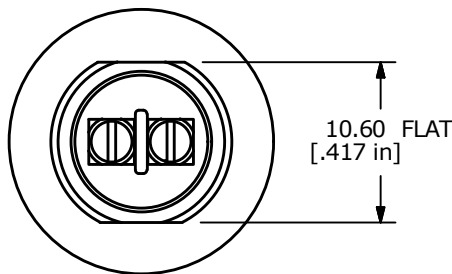
▲ BODY COLOR:
BLACK ANODIZED

M12x1.0
THREAD



NOTE:

1. ALL DIMENSIONS IN MM [INCH]
2. GENERAL TOLERANCE: X.X=±0.4
X.XX=±0.25
3. TERMINAL NUMBERS FOR REF ONLY
- ▲ 4. CONTACT MATERIAL: SILVER
5. RATING: 2A @ 36 VDC
6. ELECTRICAL LIFE: 200,000 CYCLES
7. CONTACT RESISTANCE: 50 mΩ MAX. @ 1A 12VDC (INITIAL)
8. INSULATION RESISTANCE: 1,000 MΩ MIN. @ 500VDC.
9. DIELECTRIC STRENGTH: 2,000 VAC rms.
10. OPERATING TEMPERATURE: -20°C TO +70°C.
11. PANEL THICKNESS MAX: 4.0 mm.
12. INGRESS PROTECTION: IP65
13. ▲ DENOTES CRITICAL PARAMETER.
14. 2011/65/EU (ROHS) COMPLIANT
- ▲ 15. HARDWARE INCLUDED, 1 O-RING & 1 HEX NUT.(NOT SHOWN)



B	22668	UPDATED FLAT ALIGNMENT	1/9/17	MJR
A	00051	RELEASE FOR PRODUCTION	8/5/09	CAB
REV	PCR NO	DESCRIPTION	DATE	BY

TITLE PV5S64011				
SCALE	DATE	DR	DWG	REV
2:1	8/5/2009	EBP	52-PV5S64011	B

THE INFORMATION CONTAINED IN THIS DOCUMENT IS PROPRIETARY TO E-SWITCH AND IS NOT TO BE COPIED OR TRANSFERRED