



Chipsmall Limited consists of a professional team with an average of over 10 year of expertise in the distribution of electronic components. Based in Hongkong, we have already established firm and mutual-benefit business relationships with customers from,Europe,America and south Asia,supplying obsolete and hard-to-find components to meet their specific needs.

With the principle of "Quality Parts,Customers Priority,Honest Operation,and Considerate Service",our business mainly focus on the distribution of electronic components. Line cards we deal with include Microchip,ALPS,ROHM,Xilinx,Pulse,ON,Everlight and Freescale. Main products comprise IC,Modules,Potentiometer,IC Socket,Relay,Connector.Our parts cover such applications as commercial,industrial, and automotives areas.

We are looking forward to setting up business relationship with you and hope to provide you with the best service and solution. Let us make a better world for our industry!



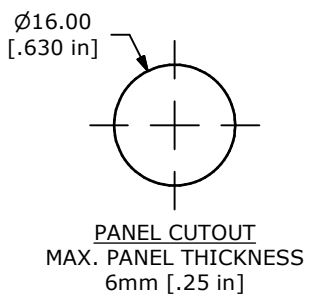
## Contact us

Tel: +86-755-8981 8866 Fax: +86-755-8427 6832

Email & Skype: info@chipsmall.com Web: www.chipsmall.com

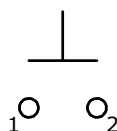
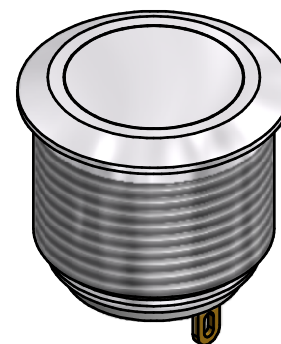
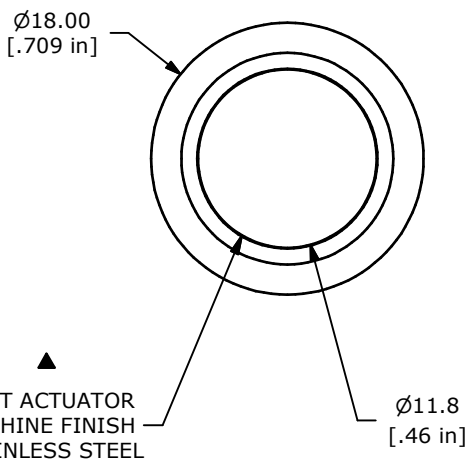
Address: A1208, Overseas Decoration Building, #122 Zhenhua RD., Futian, Shenzhen, China





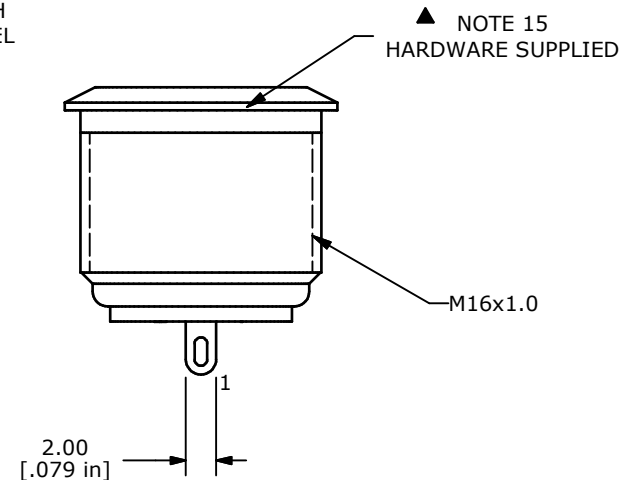
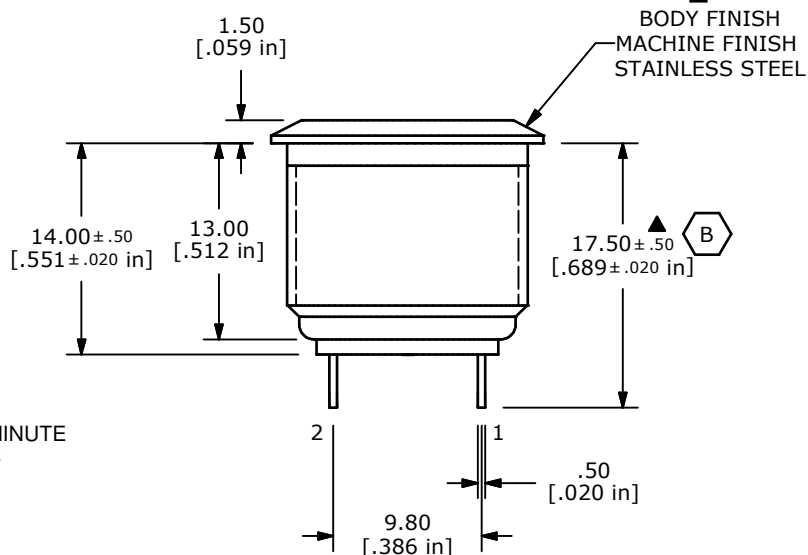
SWITCH FUNCTION	
POS. 1	POS. 2
OFF	(ON)
OPEN	1-2

(ON) = MOMENTARY



▲ SPST  
CONTACT CONFIGURATION

- NOTE:
1. ALL DIMENSIONS IN MM [INCH]
  2. GENERAL TOLERANCE: X.X=±0.4  
X.XX=±0.25
  3. TERMINAL NUMBERS FOR REF ONLY
  - ▲ 4. CONTACT MATERIAL: SILVER PLATED
  5. RATING: 2A 48VDC
  6. ELECTRIC LIFE: 50,000 CYCLES
  7. INSULATION RESISTANCE: 1,000 MΩ MIN.
  8. DIELECTRIC STRENGTH: 2,000 VAC MIN. FOR 1 MINUTE
  9. CONTACT RESISTANCE: 50mΩ MAX. @ 1A 12VDC
  10. OPERATING TEMP.: -20°C to 55°C
  - ▲ 11. TRAVEL: 1.8mm
  12. ▲ DENOTES CRITICAL PARAMETER.
  - ▲ 13. ILLUMINATION COLOR: NONE
  14. HARDWARE SUPPLIED: O-RING AND HEXNUT (NOT SHOWN)
  15. 2002/95/EC (ROHS) COMPLIANT
  16. INGRESS PROTECTION: IP65



B	21526	DRAWING UPDATES	7/29/14	EBP
A	20675	RELEASE FOR PRODUCTION	7/24/12	rc
REV	PCR NO	DESCRIPTION	DATE	BY

TITLE PV6F240SS				
SCALE 2:1	DATE 7/24/2012	DR rc	DWG 52-PV6F240SS	REV B

THE INFORMATION CONTAINED IN THIS DOCUMENT IS PROPRIETARY TO E-SWITCH AND IS NOT TO BE COPIED OR TRANSFERRED