



Chipsmall Limited consists of a professional team with an average of over 10 year of expertise in the distribution of electronic components. Based in Hongkong, we have already established firm and mutual-benefit business relationships with customers from,Europe,America and south Asia,supplying obsolete and hard-to-find components to meet their specific needs.

With the principle of “Quality Parts,Customers Priority,Honest Operation,and Considerate Service”,our business mainly focus on the distribution of electronic components. Line cards we deal with include Microchip,ALPS,ROHM,Xilinx,Pulse,ON,Everlight and Freescale. Main products comprise IC,Modules,Potentiometer,IC Socket,Relay,Connector.Our parts cover such applications as commercial,industrial, and automotives areas.

We are looking forward to setting up business relationship with you and hope to provide you with the best service and solution. Let us make a better world for our industry!



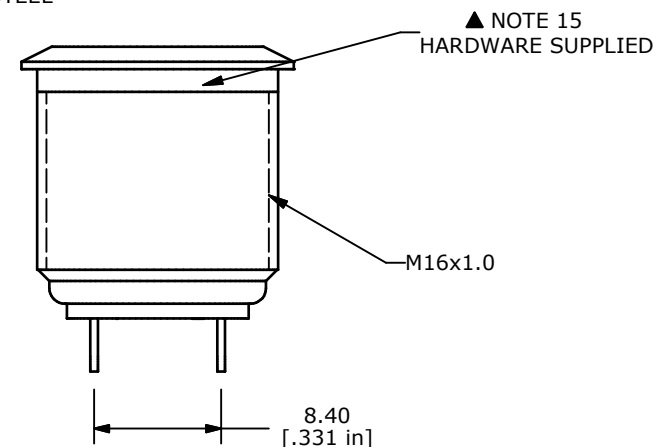
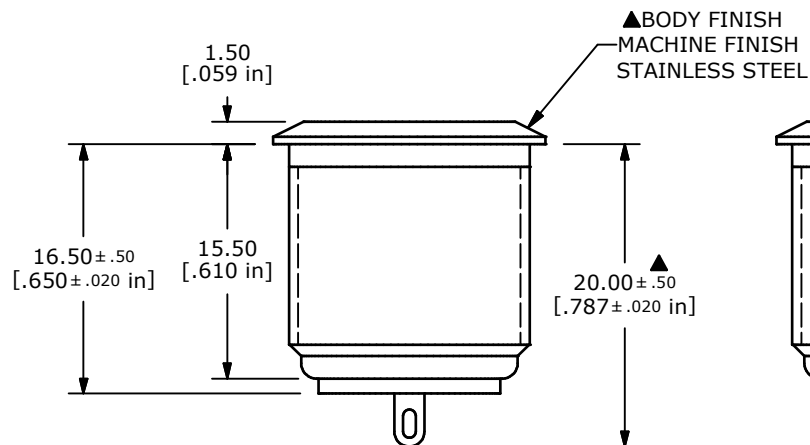
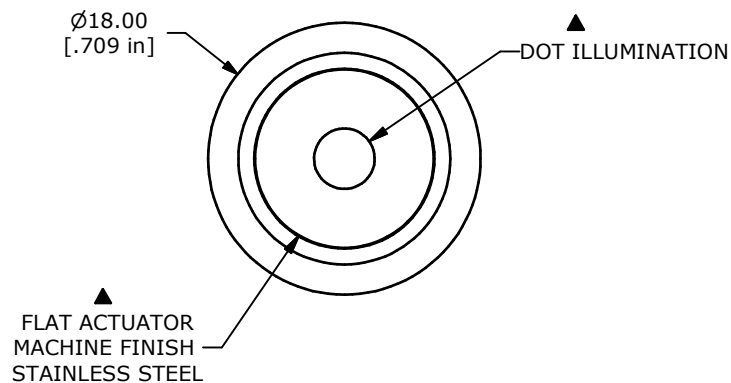
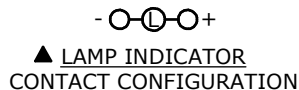
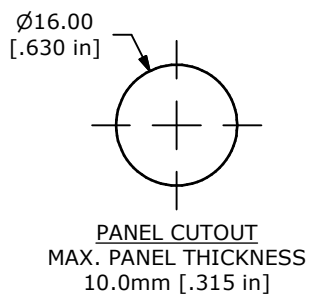
## Contact us

Tel: +86-755-8981 8866 Fax: +86-755-8427 6832

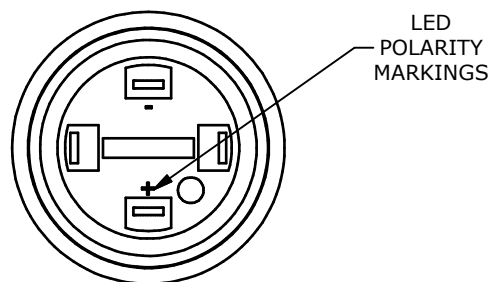
Email & Skype: info@chipsmall.com Web: www.chipsmall.com

Address: A1208, Overseas Decoration Building, #122 Zhenhua RD., Futian, Shenzhen, China





- NOTE:
1. ALL DIMENSIONS IN MM [INCH]
  2. GENERAL TOLERANCE: X.X=±0.4  
X.XX=±0.25
  3. OPERATING TEMP.: -20°C to 55°C
  4. ▲ DENOTES CRITICAL PARAMETER.
  5. ILLUMINATION COLOR: BLUE
  6. HARDWARE SUPPLIED: O-RING AND HEXNUT (NOT SHOWN)
  7. ILLUMINATION BASE RATING: 20mA 2.8V
  8. 2002/95/EC (ROHS) COMPLIANT



C	21422	REMOVE DUMMY SWITCH TERMINALS	3/31/14	EBP
B	20885	ADD DUMMY SWITCH TERMINALS	11/15/12	EBP
A	20713	RELEASE FOR PRODUCTION	8/21/12	rc
REV	PCR NO	DESCRIPTION	DATE	BY

THE INFORMATION CONTAINED IN THIS DOCUMENT IS PROPRIETARY TO E-SWITCH AND IS NOT TO BE COPIED OR TRANSFERRED



TITLE PV6F2PXSS-241

SCALE 2:1	DATE 8/21/2012	DR rc	DWG 52-PV6F2PXSS241	REV C
--------------	-------------------	----------	------------------------	----------