



Chipsmall Limited consists of a professional team with an average of over 10 year of expertise in the distribution of electronic components. Based in Hongkong, we have already established firm and mutual-benefit business relationships with customers from,Europe,America and south Asia,supplying obsolete and hard-to-find components to meet their specific needs.

With the principle of “Quality Parts,Customers Priority,Honest Operation,and Considerate Service”,our business mainly focus on the distribution of electronic components. Line cards we deal with include Microchip,ALPS,ROHM,Xilinx,Pulse,ON,Everlight and Freescale. Main products comprise IC,Modules,Potentiometer,IC Socket,Relay,Connector.Our parts cover such applications as commercial,industrial, and automotives areas.

We are looking forward to setting up business relationship with you and hope to provide you with the best service and solution. Let us make a better world for our industry!



Contact us

Tel: +86-755-8981 8866 Fax: +86-755-8427 6832

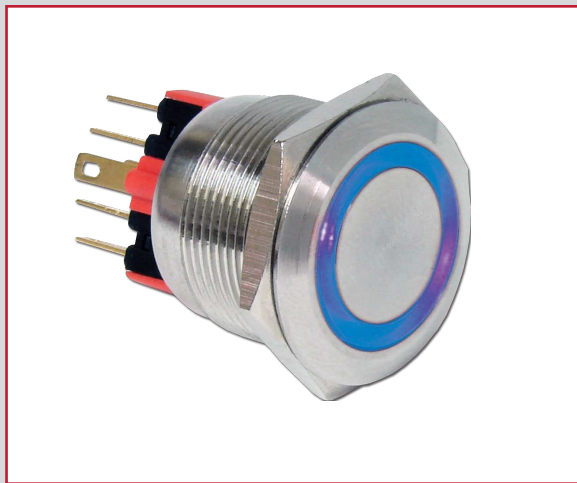
Email & Skype: info@chipsmall.com Web: www.chipsmall.com

Address: A1208, Overseas Decoration Building, #122 Zhenhua RD., Futian, Shenzhen, China

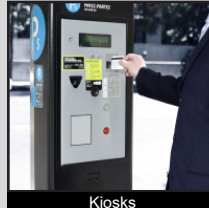


PV7 SERIES ANTI-VANDAL SWITCH

ANTI-VANDAL SWITCHES
DETECTOR SWITCHES
DIP SWITCHES
KEYLOCK SWITCHES
NAVIGATION SWITCHES
PUSHBUTTON SWITCHES
ROCKER SWITCHES
ROTARY SWITCHES
SLIDE SWITCHES
SNAP ACTION SWITCHES
TACTILE SWITCHES
TOGGLE SWITCHES
CAP OPTIONS



APPLICATIONS / MARKETS



RoHS

SPECIFICATIONS

Electrical Rating: 2A, 48VDC
Electrical Life: 50,000 Cycles
Contact Resistance: 50mΩ Max.
Insulation Resistance: 1000 MΩ Min. @ 500VDC
Dielectric Strength: 2,000VAC
Operating/Storage Temperature: -20°C to 55°C
Travel: 2.20mm
Moisture Protection: IP65
Contact Arrangement: SPDT
Actuation Force: 4 N
Panel Thickness: 1-8mm for Y Function
 1-12mm for T function
Mounting Nut Torque: 5-14Nm

FEATURES & BENEFITS

- 22mm diameter panel cutout
- RGB LED option
- Dot, ring or power symbol illumination available
- Multiple function options
- IP65 rated
- SPDT

PART NUMBER CONFIGURATOR

Series	Actuator Options	Terminal Options	Function Options	Rating Options	Body Finish Options	Actuator Finish Options	Lens Style Options	LED-Color Options	Illumination Voltage Options	Graphic (Optional)
<input type="text" value="PV7"/>	<input type="text" value="F - Flat"/>	<input type="text" value="2 - Solder"/>	<input type="text" value="T - 1 Pole Off - On
1 Pole On - Off
Y - 1 Pole Off - (On)
1 Pole On - (Off)"/>	<input type="text" value="0 - 2A, 48VDC"/>	<input type="text" value="N - Nickel Plated
S - Stainless Steel
1 - Black Anodized"/>	<input type="text" value="N - Nickel Plated
S - Stainless Steel
1 - Black Anodized"/>	<input type="text" value="NONE - Non-Illuminated
2 - Dot Illumination
3 - Ring Illumination"/>	<input type="text" value="NONE - Non-Illuminated
0 - White
1 - Red
2 - Orange
3 - Green
4 - Blue
5 - Yellow
F - Red/Orange
G - Red/Green
H - Red/Blue
J - Red/Yellow
K - Orange/Green
L - Orange/Blue
M - Orange/Yellow
R - RGB LED"/>	<input type="text" value="1 - Base Voltage
3 - 6V
4 - 12V
5 - 24V
6 - 125V
7 - 250V"/>	<input type="text" value="M01 - Power symbol (sm) laser etched
M03 - Power symbol illuminated
M16 - Power symbol (lg) laser etched"/>

NOTES:
 *() denotes function is momentary

Specifications subject to change without notice



E-SWITCH®

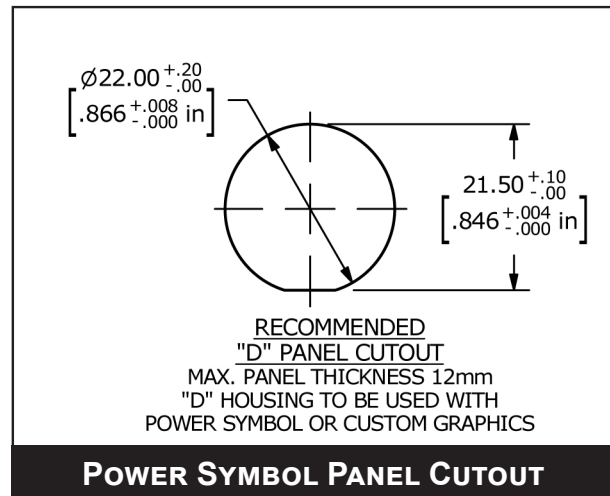
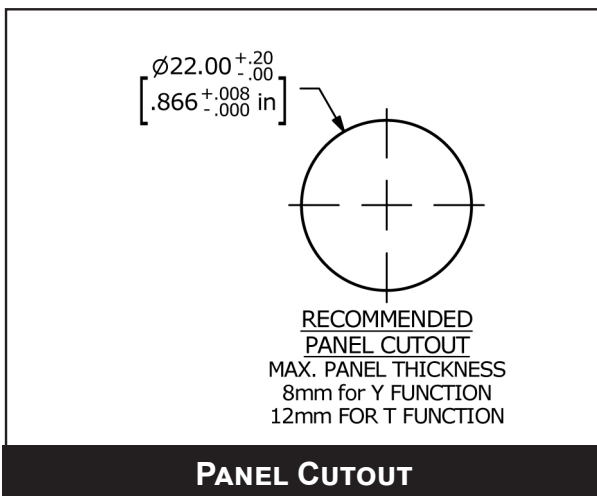
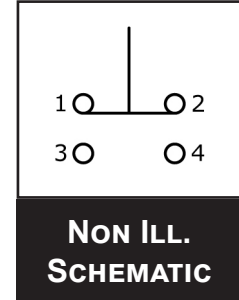
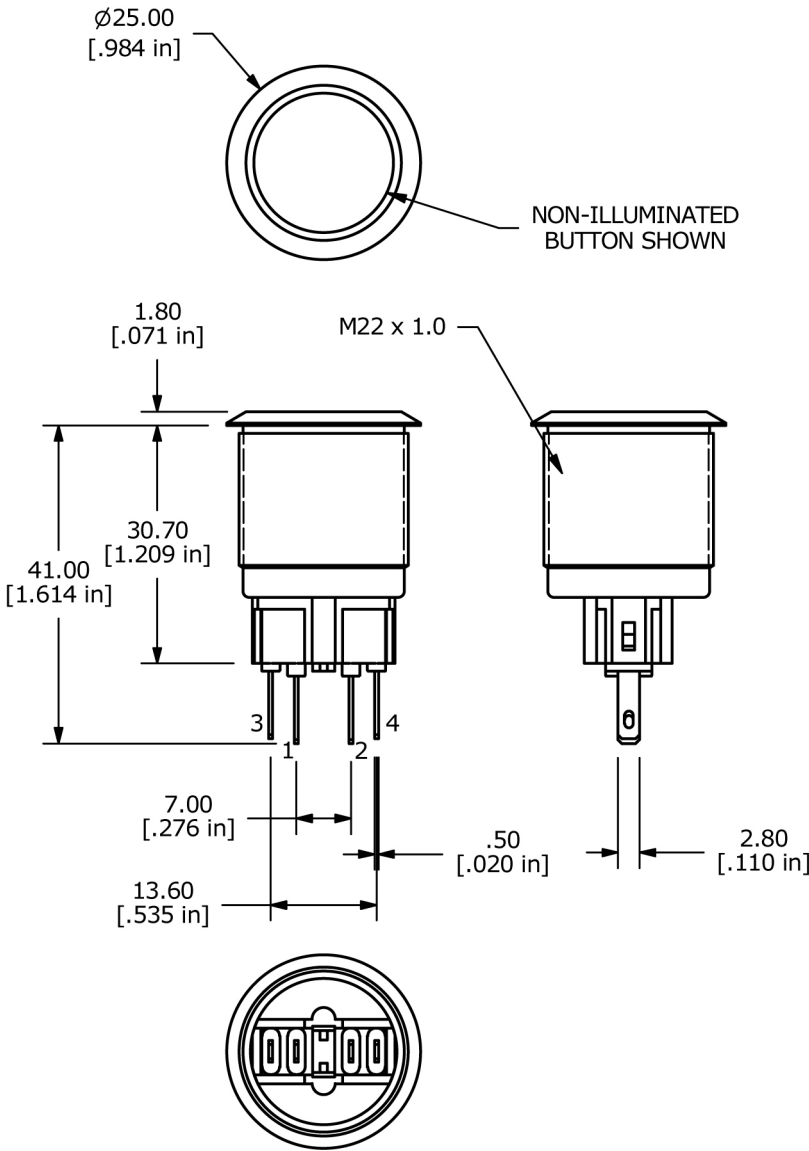
www.e-switch.com

800.867.2717

2

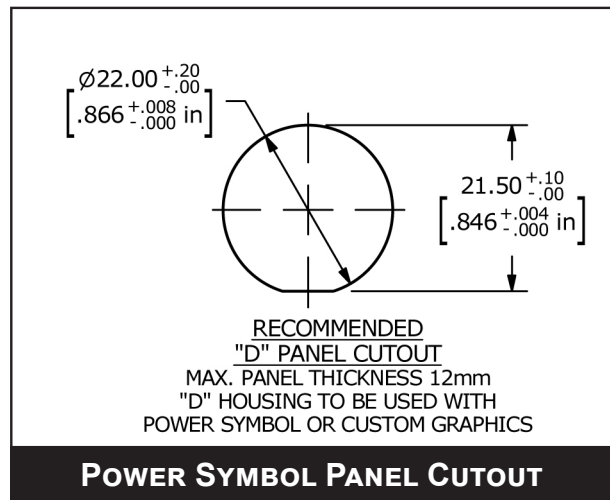
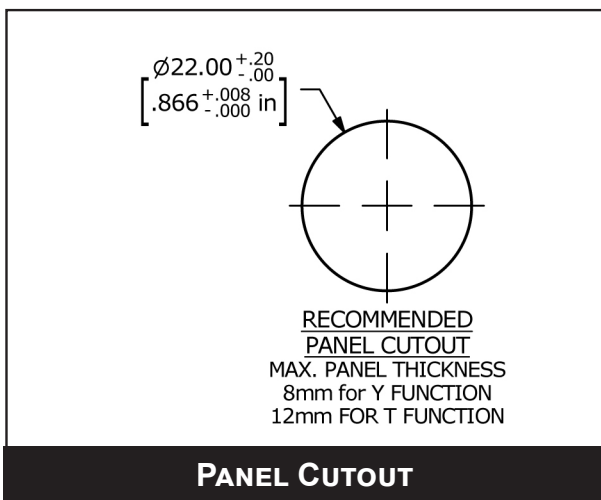
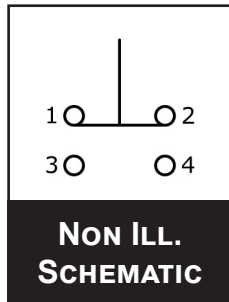
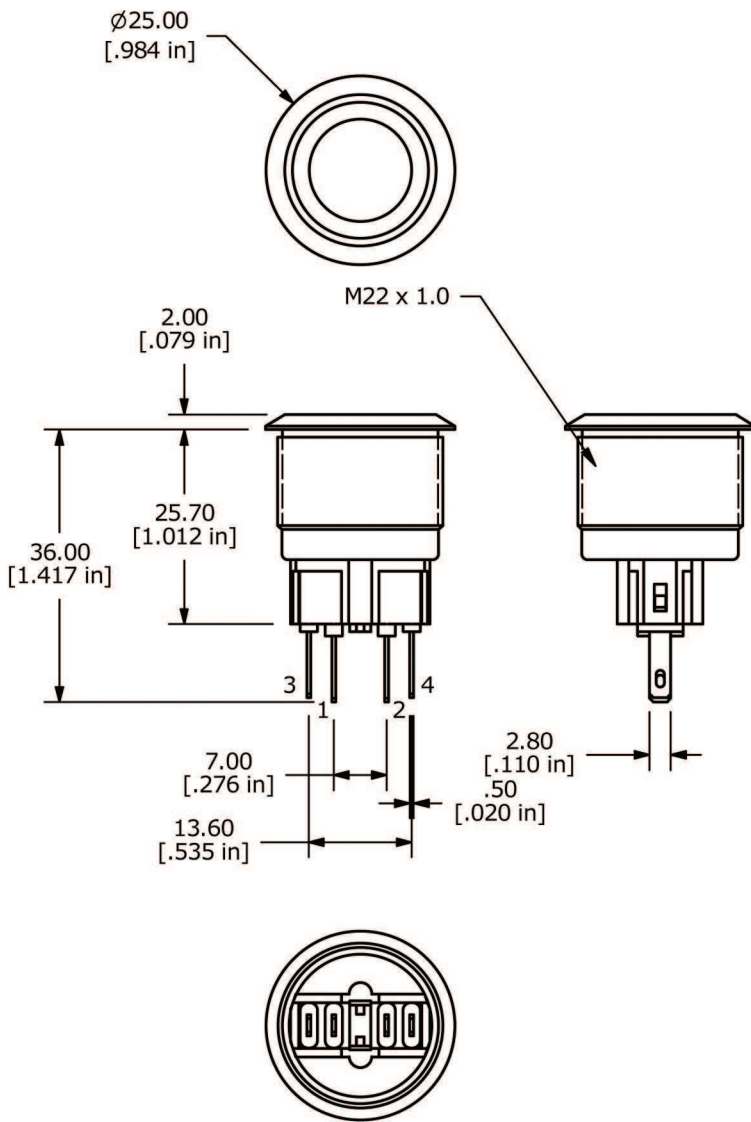
PV7 SERIES ANTI-VANDAL SWITCH

NON ILLUMINATED T FUNCTION



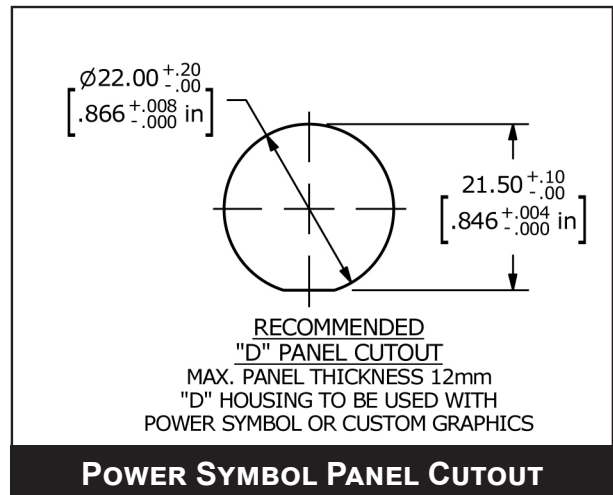
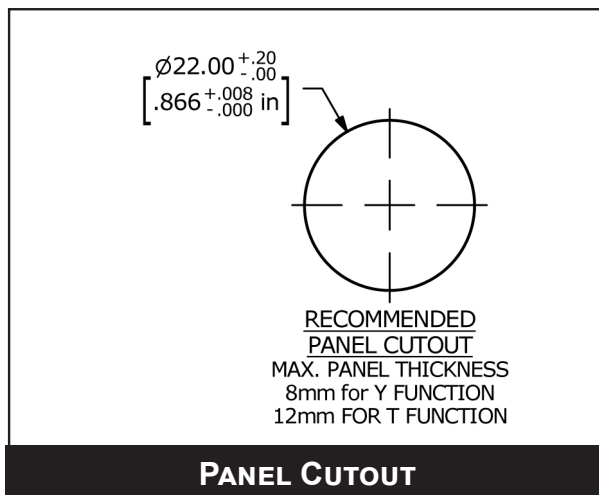
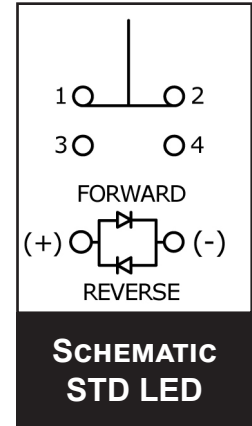
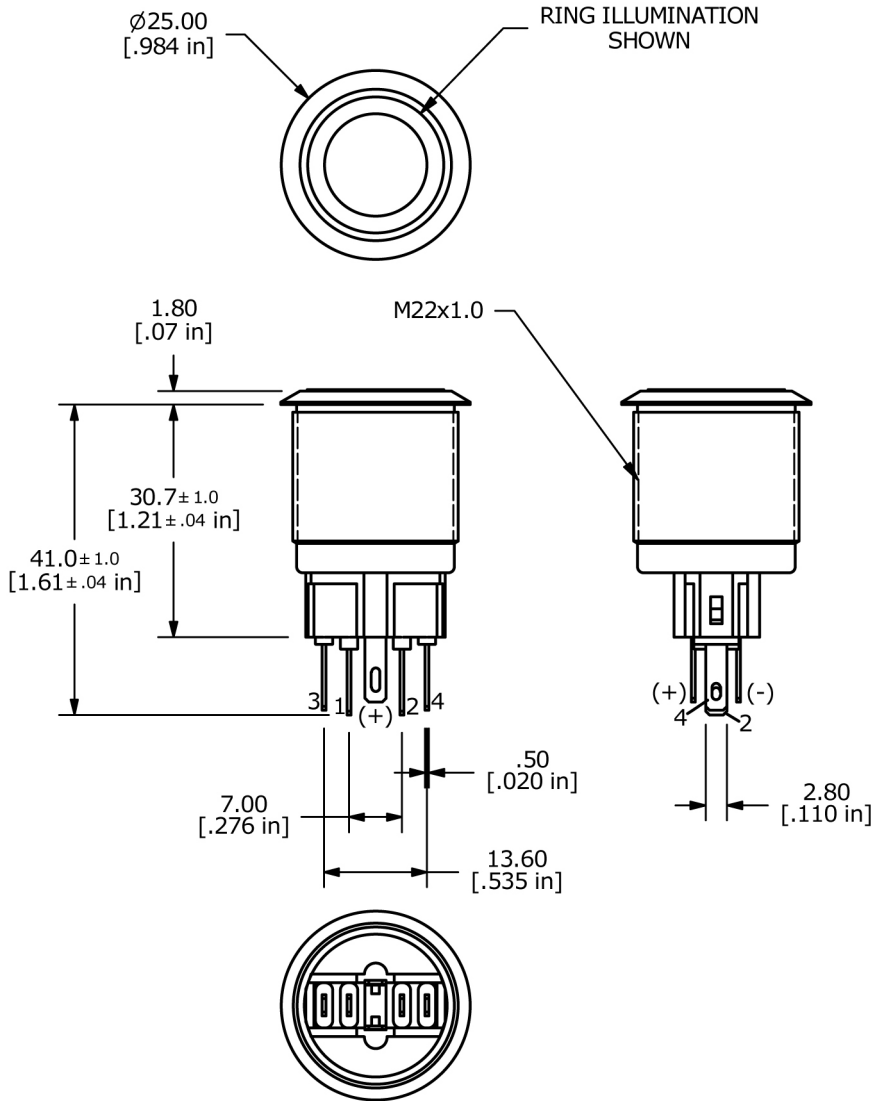
PV7 SERIES ANTI-VANDAL SWITCH

NON ILLUMINATED Y FUNCTION



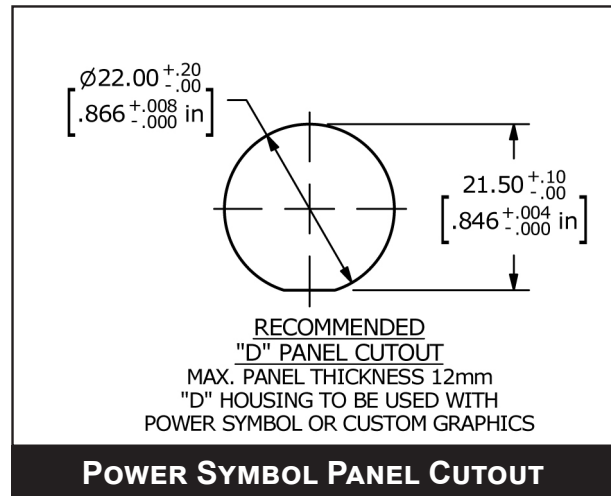
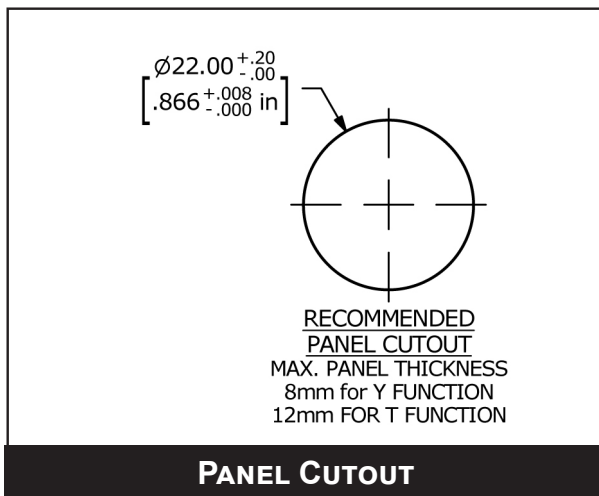
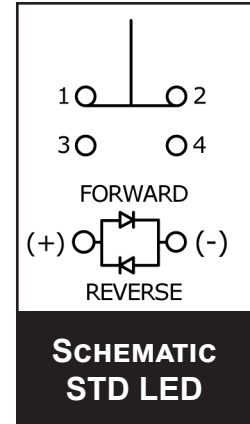
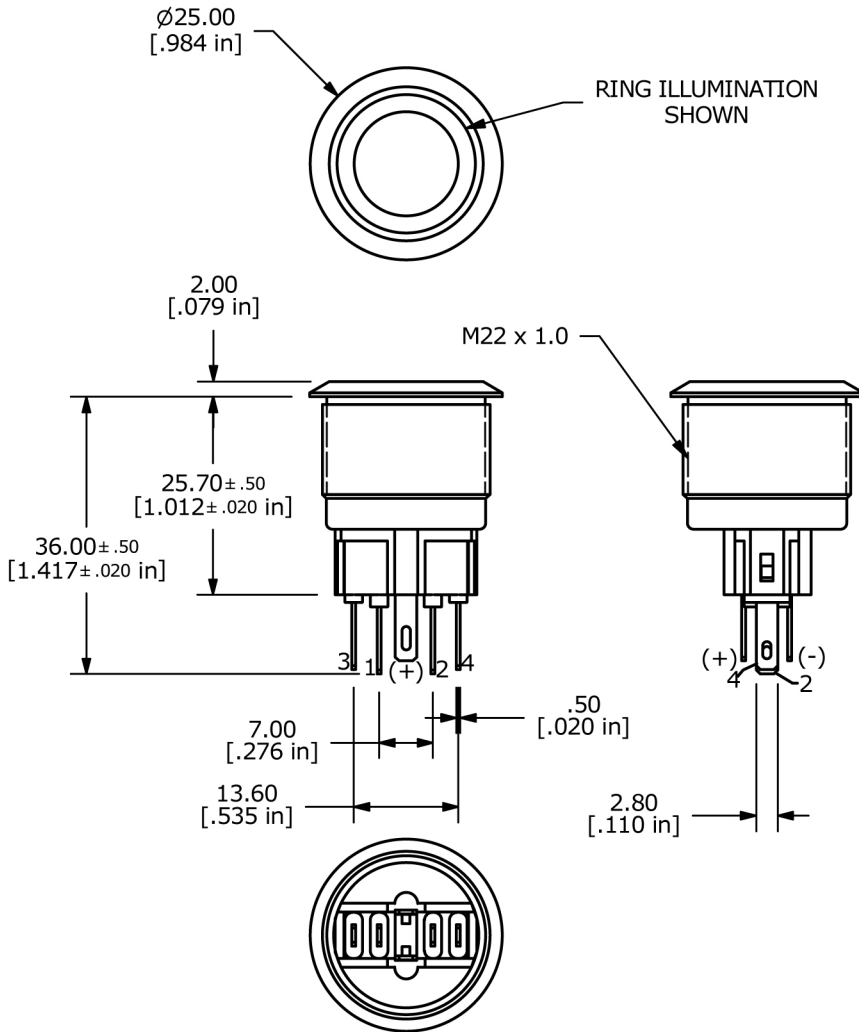
PV7 SERIES ANTI-VANDAL SWITCH

STANDARD LED T FUNCTION



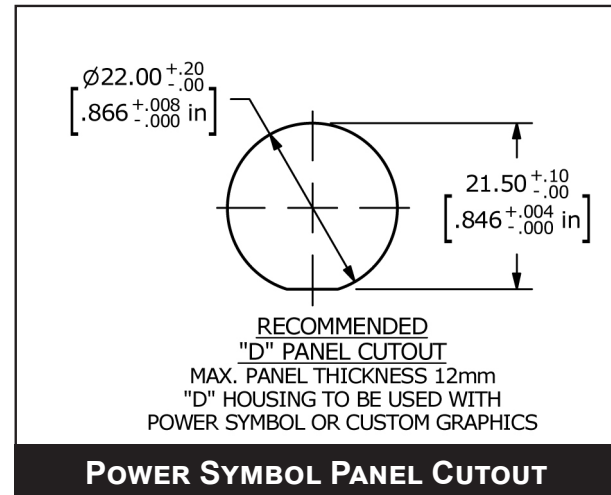
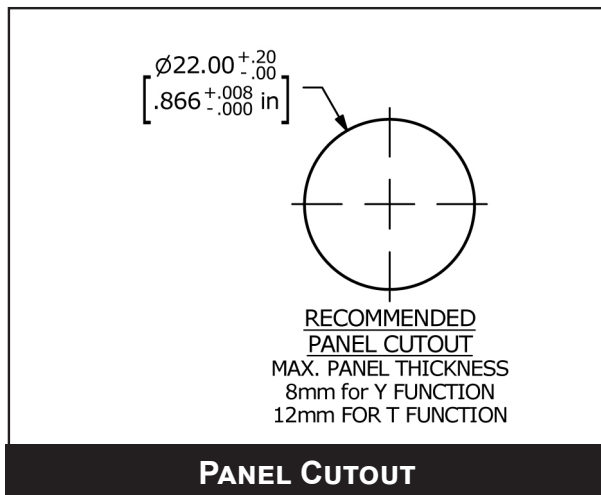
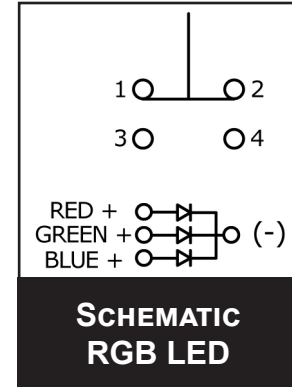
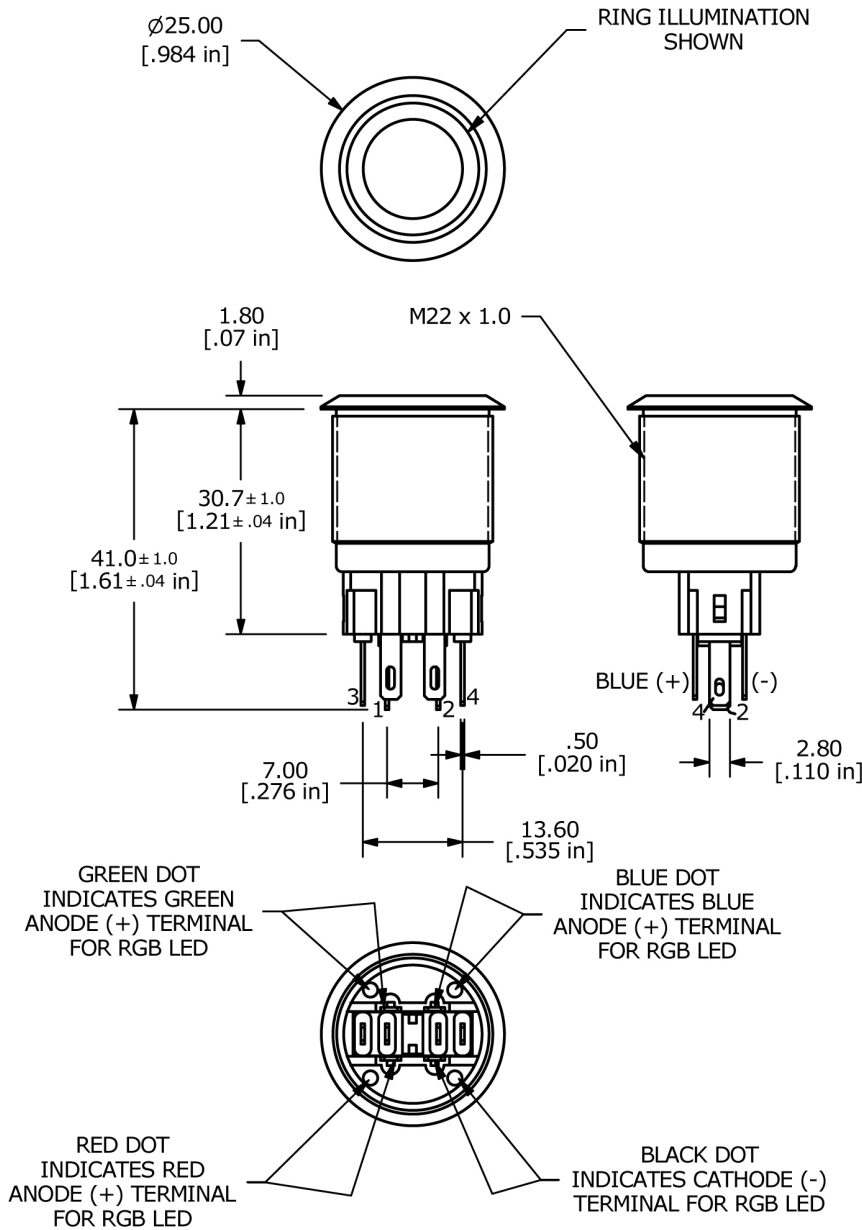
PV7 SERIES ANTI-VANDAL SWITCH

STANDARD LED Y FUNCTION



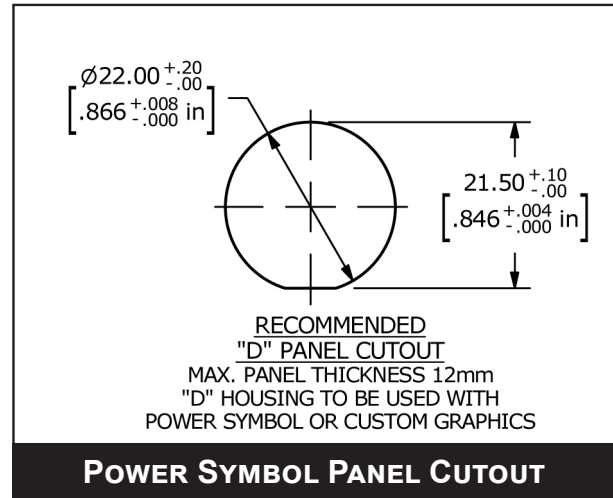
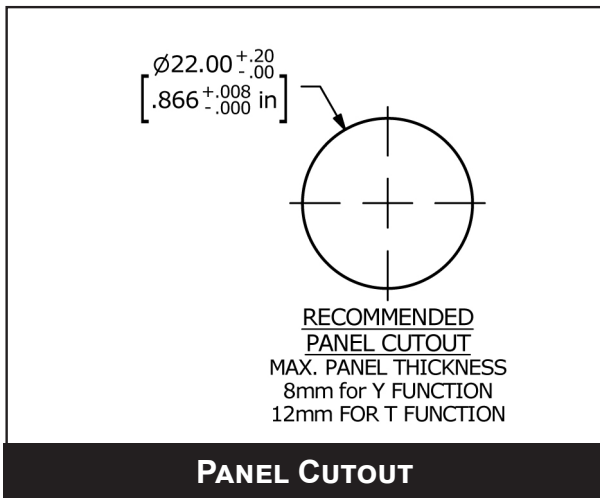
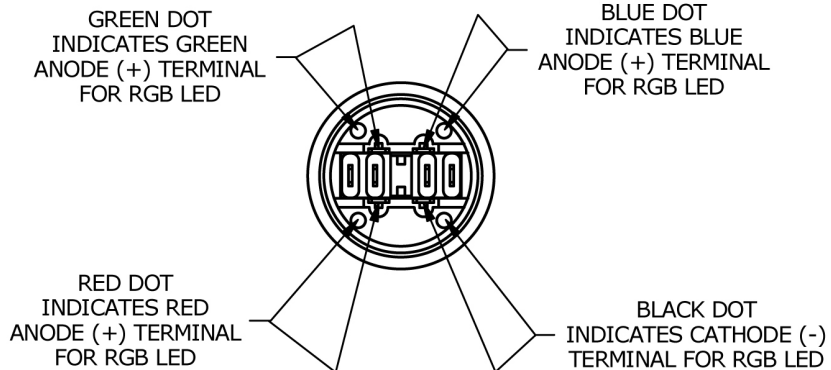
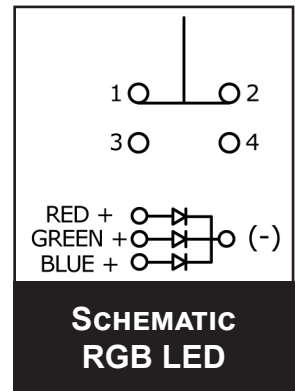
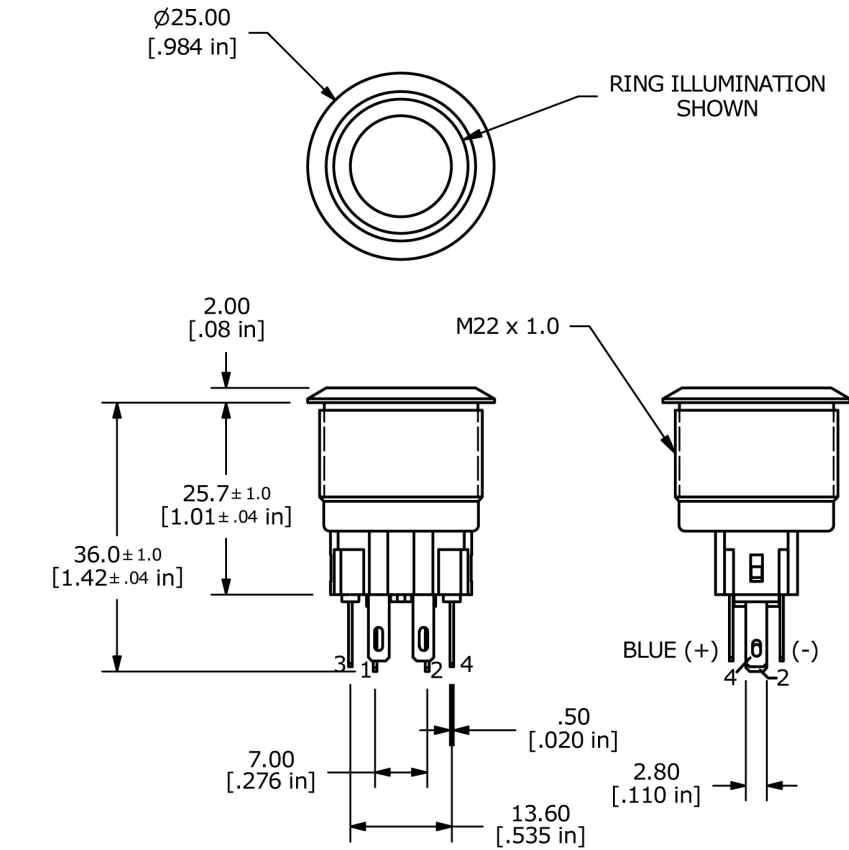
PV7 SERIES ANTI-VANDAL SWITCH

RGB LED T FUNCTION



PV7 SERIES ANTI-VANDAL SWITCH

RGB LED Y FUNCTION

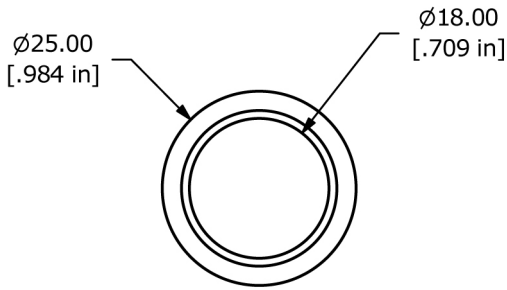


- ANTI-VANDAL SWITCHES
- DETECTOR SWITCHES
- DIP SWITCHES
- KEYLOCK SWITCHES
- NAVIGATION SWITCHES
- PUSHBUTTON SWITCHES
- ROCKER SWITCHES
- ROTARY SWITCHES
- SLIDE SWITCHES
- SNAP ACTION SWITCHES
- TACTILE SWITCHES
- TOGGLE SWITCHES
- CAP OPTIONS

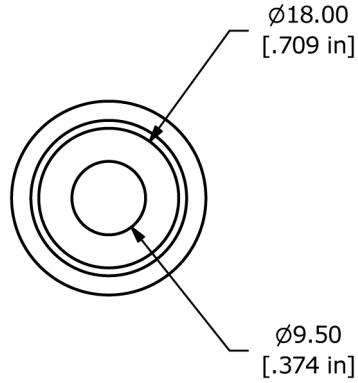


PV7 SERIES ANTI-VANDAL SWITCH

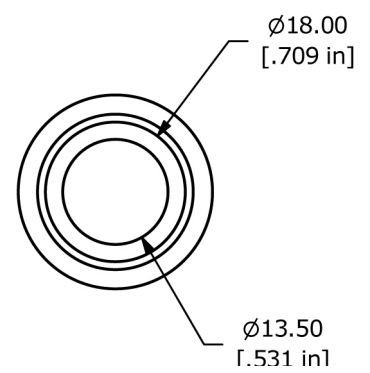
ACTUATOR OPTIONS



FLAT NON-ILLUMINATED



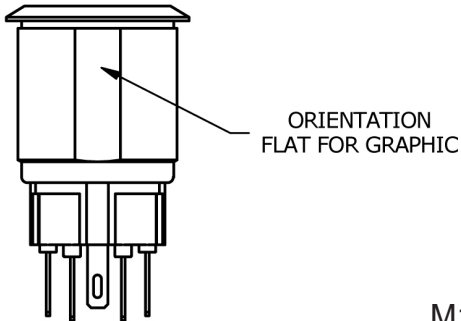
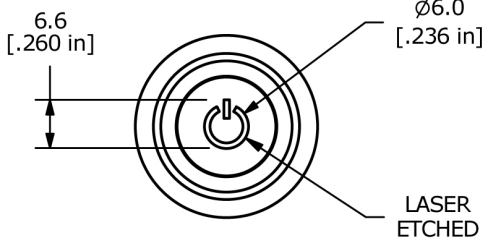
FLAT DOT ILLUMINATED



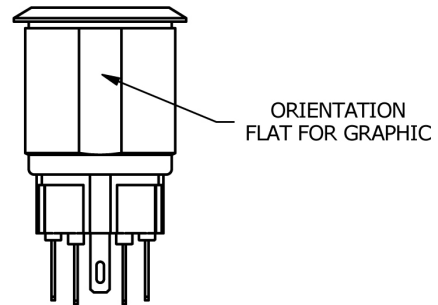
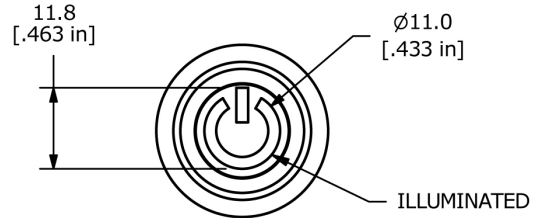
FLAT RING ILLUMINATED

GRAPHIC OPTIONS

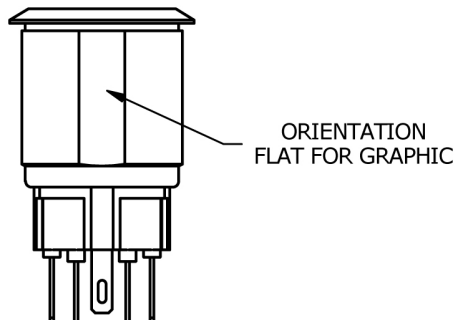
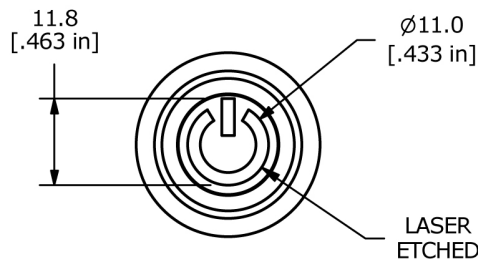
M01 GRAPHIC



M03 GRAPHIC



M16 GRAPHIC



ANTI-VANDAL SWITCHES
DETECTOR SWITCHES
DIP SWITCHES
KEYLOCK SWITCHES
NAVIGATION SWITCHES
PUSHBUTTON SWITCHES
ROCKER SWITCHES
ROTARY SWITCHES
SLIDE SWITCHES
SNAP ACTION SWITCHES
TACTILE SWITCHES
TOGGLE SWITCHES
CAP OPTIONS

