



Chipsmall Limited consists of a professional team with an average of over 10 year of expertise in the distribution of electronic components. Based in Hongkong, we have already established firm and mutual-benefit business relationships with customers from,Europe,America and south Asia,supplying obsolete and hard-to-find components to meet their specific needs.

With the principle of "Quality Parts,Customers Priority,Honest Operation,and Considerate Service",our business mainly focus on the distribution of electronic components. Line cards we deal with include Microchip,ALPS,ROHM,Xilinx,Pulse,ON,Everlight and Freescale. Main products comprise IC,Modules,Potentiometer,IC Socket,Relay,Connector.Our parts cover such applications as commercial,industrial, and automotives areas.

We are looking forward to setting up business relationship with you and hope to provide you with the best service and solution. Let us make a better world for our industry!



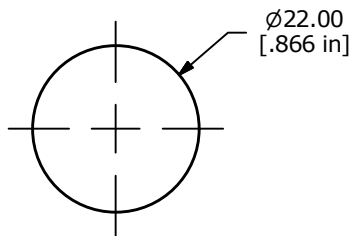
Contact us

Tel: +86-755-8981 8866 Fax: +86-755-8427 6832

Email & Skype: info@chipsmall.com Web: www.chipsmall.com

Address: A1208, Overseas Decoration Building, #122 Zhenhua RD., Futian, Shenzhen, China

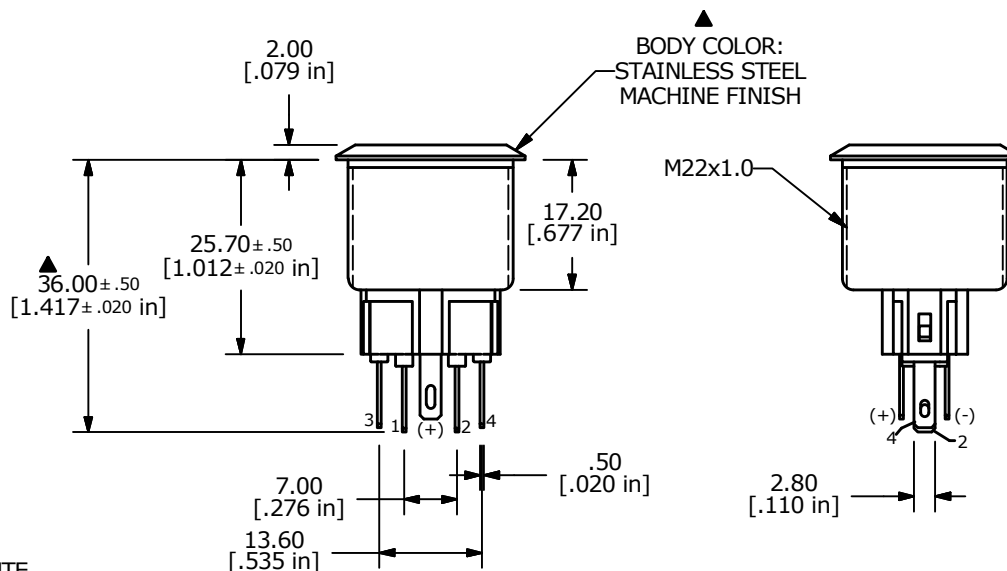
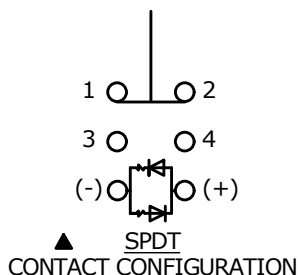
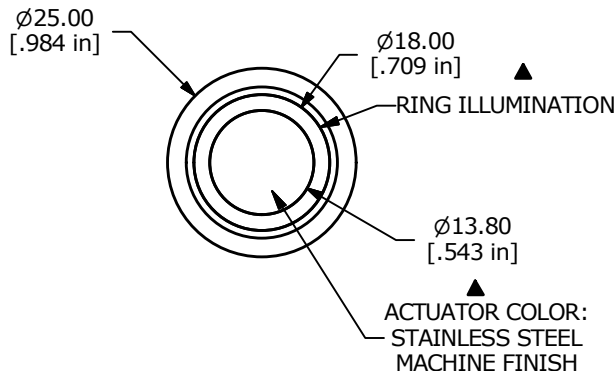




PANEL CUTOUT
MAX. PANEL THICKNESS 8mm

SWITCH FUNCTION ▲	
POS. 1	POS. 2 (MOM)
1-2	3-4

(ON) = MOMENTARY



- NOTE:
1. ALL DIMENSIONS IN mm [INCH]
 2. GENERAL TOLERANCE: X.X = ± 0.4
X.XX = ± 0.25
 3. TERMINAL NOS. FOR REF. ONLY
 - ▲ 4. FUNCTION: SPDT
 - ▲ 5. RATING: 2A @ 48VDC
 6. ILLUMINATION VOLTAGE: 6V
 7. CONTACT RESISTANCE: 50mΩ MAX. @ 1A 12VDC
 8. INSULATION RESISTANCE: 1,000MΩ @ 500VDC
 9. DIELECTRIC STRENGTH: 2,000VAC MIN. FOR 1 MINUTE
 10. ELECTRICAL LIFE: 50,000 CYCLES
 11. OPERATING TEMPERATURE: -25°C TO 70°C
 12. INGRESS PROTECTION: IP65
 13. ▲ DENOTES CRITICAL PARAMETER
 13. 2002/95/EC (ROHS) COMPLIANT
 - ▲ 14. ILLUMINATION COLOR: GREEN (FORWARD), GREEN (REVERSE)
 15. HARDWARE INCLUDED (NOT SHOWN) HEX NUT AND O-RING



B	20632	Chd OT -25°C TO 70°C was -40°C TO 70°C	06/07/12	drg
A	20630	INITIAL RELEASE	06/06/12	drg
REV	PCR NO	DESCRIPTION	DATE	BY

TITLE PV7F2Y0SS-333				
SCALE	DATE	DR	DWG	REV
NONE	6/7/2012	drg	52-PV7F2Y0SS333	B

THE INFORMATION CONTAINED IN THIS DOCUMENT IS PROPRIETARY TO E-SWITCH AND IS NOT TO BE COPIED OR TRANSFERRED