



Chipsmall Limited consists of a professional team with an average of over 10 year of expertise in the distribution of electronic components. Based in Hongkong, we have already established firm and mutual-benefit business relationships with customers from,Europe,America and south Asia,supplying obsolete and hard-to-find components to meet their specific needs.

With the principle of “Quality Parts,Customers Priority,Honest Operation,and Considerate Service”,our business mainly focus on the distribution of electronic components. Line cards we deal with include Microchip,ALPS,ROHM,Xilinx,Pulse,ON,Everlight and Freescale. Main products comprise IC,Modules,Potentiometer,IC Socket,Relay,Connector.Our parts cover such applications as commercial,industrial, and automotives areas.

We are looking forward to setting up business relationship with you and hope to provide you with the best service and solution. Let us make a better world for our industry!



Contact us

Tel: +86-755-8981 8866 Fax: +86-755-8427 6832

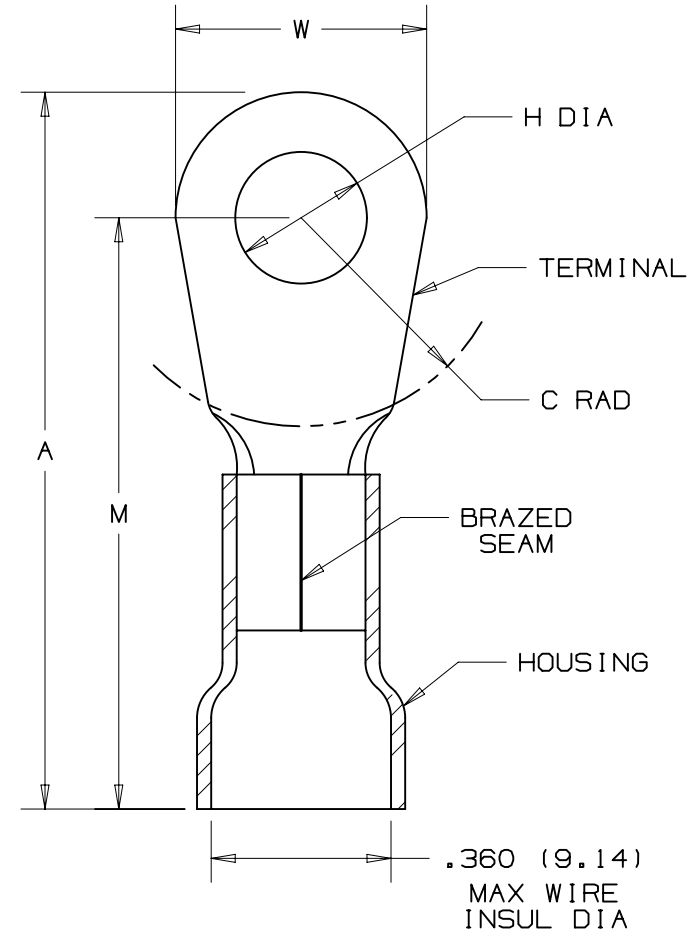
Email & Skype: info@chipsmall.com Web: www.chipsmall.com

Address: A1208, Overseas Decoration Building, #122 Zhenhua RD., Futian, Shenzhen, China



THIS COPY IS PROVIDED ON A RESTRICTED BASIS AND IS NOT TO BE USED IN ANY WAY DETRIMENTAL TO THE INTERESTS OF PANDUIT CORP.

PANDUIT PARXT NUMBERX	STUD SIZE	DIMENSIONS - in.					TOOLS
		A ± .020	W ± .010	C ± .015	M ± .020	H ± .010	
PV8-8RNX	#8	1.20 (30.5)	.36 (9.14)	.43 (10.92)	1.29 (32.77)	.17 (4.32)	CT-720 (CD-720PV8-2) CT-2600 (CD-2600-PV8)
PV8-8RX	#8	1.50 (38.1)	.42 (10.67)	.43 (10.92)	1.29 (32.77)	.17 (4.32)	
PV8-10RX	#10	1.52 (38.61)	.47 (11.94)	.43 (10.92)	1.29 (32.77)	.20 (5.08)	
PV8-14RX	1/4"	1.52 (38.61)	.47 (11.94)	.43 (10.92)	1.29 (32.77)	.27 (6.86)	
PV8-56RX	5/16"	1.62 (41.15)	.59 (14.99)	.51 (12.95)	1.33 (33.78)	.33 (8.38)	
PV8-38RX	3/8"	1.62 (41.15)	.59 (14.99)	.51 (12.95)	1.33 (33.78)	.39 (9.91)	
PV8-12RX	1/2"	1.74 (44.2)	.82 (20.83)	.51 (12.95)	1.33 (33.78)	.52 (13.21)	



NOTES:

- cULus LISTED FOR:
 - A. 600V MAX VOLTAGE RATING
 - B. 221° F (105° C) MAX TEMP RATING
 - C. #8 AWG STRANDED COPPER WIRE
- SEE WWW.PANDUIT.COM FOR PACKAGE QUANTITIES
- MATERIAL:
 - A. STAMPING - .040" (1.02) THK, COPPER
TIN PLATED
 - B. HOUSING - VINYL, RED
- DIMENSIONS IN BRACKETS ARE IN MILLIMETERS
- WIRE STRIP LENGTH: 3/8 + 1/32 (9.5 + .8)
- 0 - 0



TITLE		#8 BARREL VINYL INSULATED RING TONGUE .360 [9.14] MAX. WIRE INSUL. DIAMETER	
ITEM REVISION NAME		CUSTOMER DRAWING	
DATASET FILE NAME		N41223BA/08	
UNLESS OTHERWISE SPECIFIED, DIMENSIONAL TOLERANCES ARE: IN [mm]		MATERIAL: SEE NOTE 3	
.X ± .XX ±		.XXX ± ANGLES ±	
DRAWN BY DAW		DRAWING NUMBER: A41223	
DATE		SCALE NONE	
CHK		SHT 1 OF 1	
APR		SIZE A	

D101000A/16