



Chipsmall Limited consists of a professional team with an average of over 10 year of expertise in the distribution of electronic components. Based in Hongkong, we have already established firm and mutual-benefit business relationships with customers from,Europe,America and south Asia,supplying obsolete and hard-to-find components to meet their specific needs.

With the principle of “Quality Parts,Customers Priority,Honest Operation,and Considerate Service”,our business mainly focus on the distribution of electronic components. Line cards we deal with include Microchip,ALPS,ROHM,Xilinx,Pulse,ON,Everlight and Freescale. Main products comprise IC,Modules,Potentiometer,IC Socket,Relay,Connector.Our parts cover such applications as commercial,industrial, and automotives areas.

We are looking forward to setting up business relationship with you and hope to provide you with the best service and solution. Let us make a better world for our industry!



Contact us

Tel: +86-755-8981 8866 Fax: +86-755-8427 6832

Email & Skype: info@chipsmall.com Web: www.chipsmall.com

Address: A1208, Overseas Decoration Building, #122 Zhenhua RD., Futian, Shenzhen, China

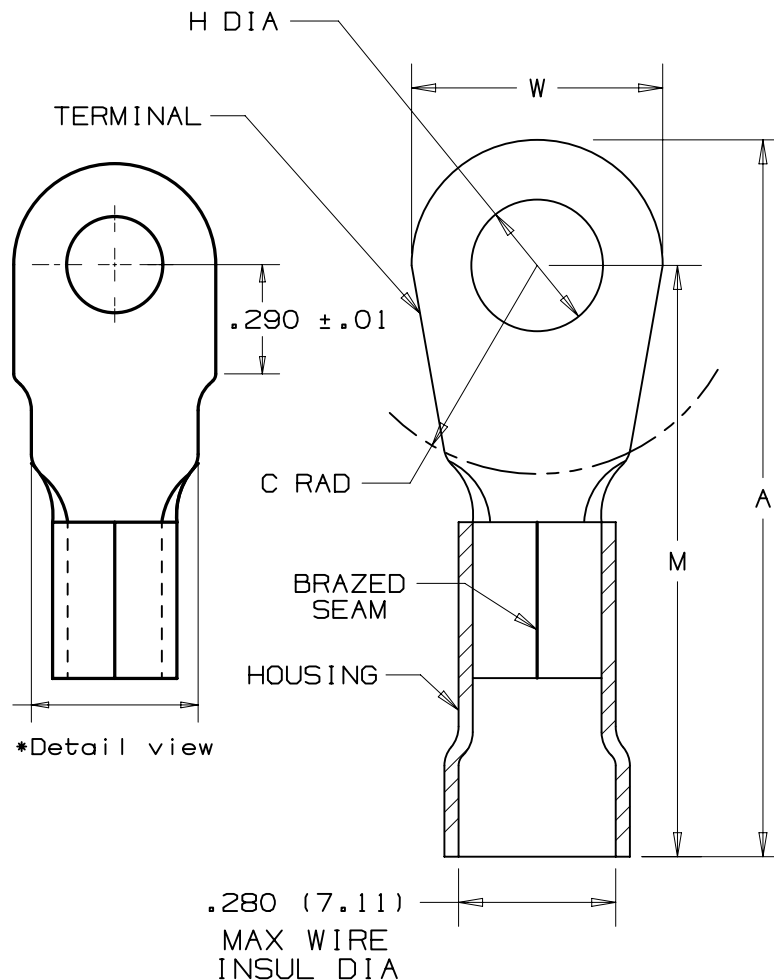


THIS COPY IS PROVIDED ON A RESTRICTED BASIS AND IS NOT TO BE USED IN ANY WAY DETRIMENTAL TO THE INTERESTS OF PANDUIT CORP.

| PANDUIT PART NUMBER | STUD SIZE | DIMENSIONS - in. | | | | | TOOLS | |
|---------------------|-----------|------------------|----------------|----------------|-----------------|----------------|-------------------------|--------------------------|
| | | A ± .03 | W ± .01 | C ± .02 | M ± .03 | H ± .01 | | |
| *PV8-8RN | #8 | 1.48 (37.59) | .36 (9.14) | .43 (10.92) | 1.30 (33.02) | .17 (4.32) | CT-720 (CD-720PV8-2) | |
| PV8-8R | #8 | 1.51 (38.86) | .42 (10.67) | .43 (10.92) | 1.30 (33.02) | .17 (4.32) | | |
| PV8-10R | #10 | 1.53 (38.86) | .47 (11.94) | .43 (10.92) | 1.30 (33.02) | .20 (5.08) | | |
| PV8-14R | 1/4" | 1.53 (38.86) | .47 (11.94) | .43 (10.92) | 1.30 (33.02) | .27 (6.86) | | |
| PV8-56R | 5/16" | 1.64 (41.66) | .59 (14.99) | .51 (12.95) | 1.35 (34.29) | .33 (8.38) | | CT-2600 (CD-2600-PV8) |
| PV8-38R | 3/8" | 1.64 (41.66) | .59 (14.99) | .51 (12.95) | 1.35 (34.29) | .39 (9.91) | | |
| PV8-12R | 1/2" | 1.74 (44.20) | .82 (20.83) | .51 (12.95) | 1.35 (34.29) | .52 (13.21) | | |

NOTES:

- cULus LISTED FOR:
 - A. 600V MAX VOLTAGE RATING
 - B. 221° F (105° C) MAX TEMP RATING
 - C. #8 AWG STRANDED COPPER WIRE
- SEE WWW.PANDUIT.COM FOR PACKAGE QUANTITIES
- MATERIAL:
 - A. STAMPING - .040" (1.02) THK, COPPER TIN PLATED
 - B. HOUSING - VINYL, RED
- DIMENSIONS IN BRACKETS ARE IN MILLIMETERS
- WIRE STRIP LENGTH: $3/8 + 1/32$ (9.5 + .8) - 0



TITLE
#8 BARREL VINYL INSULATED RING TONGUE
.280 [7.11] MAX. WIRE INSUL. DIAMETER
CUSTOMER DRAWING

| | |
|--|---------------------------|
| ITEM REVISION NAME N41219BB/12 | PANDUIT |
| DATASET FILE NAME N41219BB/12 | |
| UNLESS OTHERWISE SPECIFIED, DIMENSIONAL TOLERANCES ARE: IN [mm] .X ± .XXX ± .XX ± ANGLES ± | MATERIAL: SEE NOTE 3 |
| THIRD ANGLE PROJECTION | DRAWING NUMBER: A41219 |
| DRAWN BY DAW | DATE |
| CHK | SCALE NONE |
| ECN | SHT 1 OF 1 |
| REV | SIZE A |

| REV | DATE | BY | CHK | APR | DESCRIPTION | ECN |
|-----|------|------|------|-----|--|-----------------|
| 12 | 9/14 | JHNU | JHNU | RGB | ADDED ASTERISK TO PV8-8RN TO REFERENCE DETAIL VIEW | N41219BA-A41219 |
| 11 | 6/14 | MBY | JHNU | RGB | REVISED UL LOGO TO cULus LOGO, REVISED NOTES, MOVED TOOLS TO TABLE, UPDATED BORDER | N41219BB-A41219 |

D10100DA/16