



Chipsmall Limited consists of a professional team with an average of over 10 year of expertise in the distribution of electronic components. Based in Hongkong, we have already established firm and mutual-benefit business relationships with customers from,Europe,America and south Asia,supplying obsolete and hard-to-find components to meet their specific needs.

With the principle of “Quality Parts,Customers Priority,Honest Operation,and Considerate Service”,our business mainly focus on the distribution of electronic components. Line cards we deal with include Microchip,ALPS,ROHM,Xilinx,Pulse,ON,Everlight and Freescale. Main products comprise IC,Modules,Potentiometer,IC Socket,Relay,Connector.Our parts cover such applications as commercial,industrial, and automotives areas.

We are looking forward to setting up business relationship with you and hope to provide you with the best service and solution. Let us make a better world for our industry!



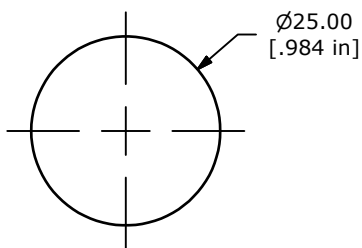
Contact us

Tel: +86-755-8981 8866 Fax: +86-755-8427 6832

Email & Skype: info@chipsmall.com Web: www.chipsmall.com

Address: A1208, Overseas Decoration Building, #122 Zhenhua RD., Futian, Shenzhen, China



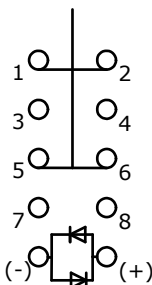
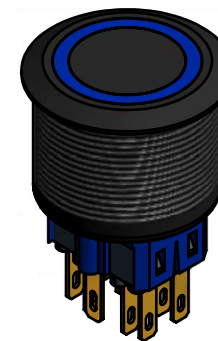
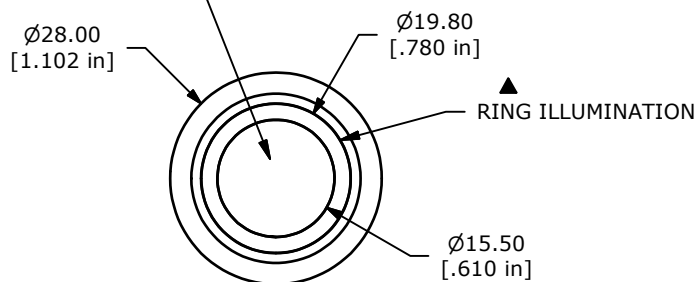


PANEL CUTOUT
MAX. PANEL THICKNESS 10mm

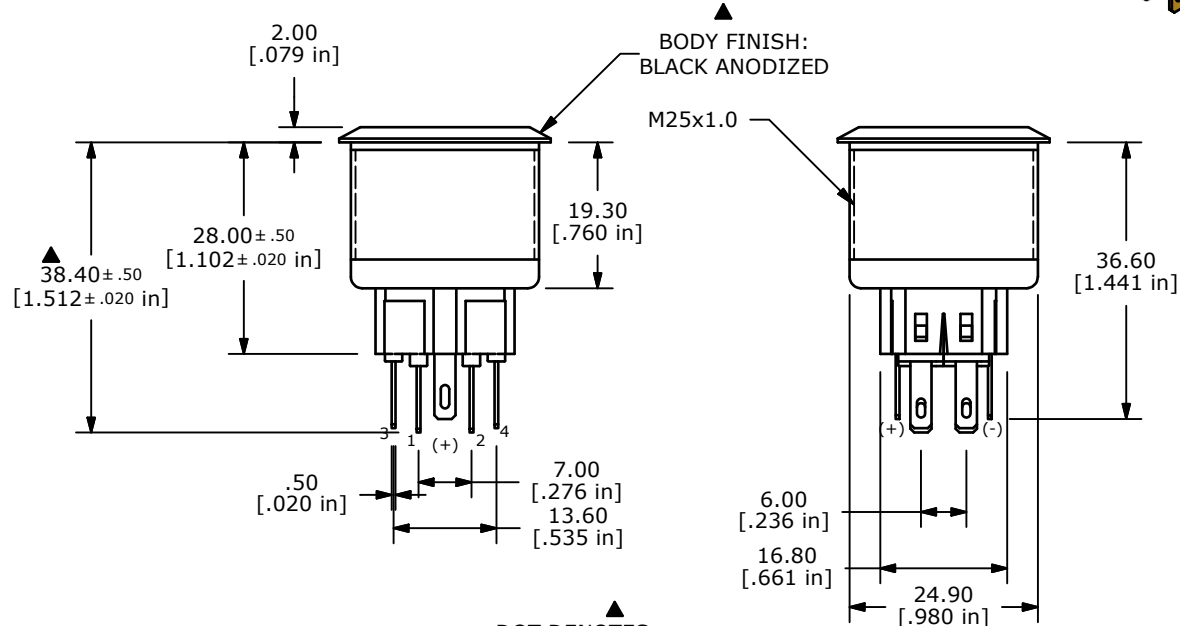
SWITCH FUNCTION	
POS. 1	POS. 2
1-2 5-6	(3-4) (7-8)

(ON) = MOMENTARY

▲ ACTUATOR FINISH:
BLACK ANODIZED



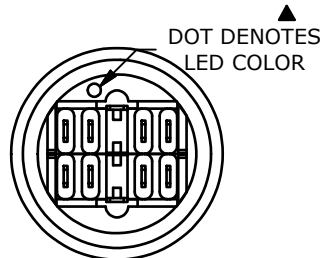
DPDT
CONTACT CONFIGURATION



▲ BODY FINISH:
BLACK ANODIZED

M25x1.0

- NOTE:
- ALL DIMENSIONS IN MM [INCH]
 - GENERAL TOLERANCE: X.X = ± 0.4
X.XX = ± 0.25
 - TERMINAL NOS. FOR REF. ONLY
 - FUNCTION: SPDT
 - RATING: 2A @ 48VDC
 - ILLUMINATION VOLTAGE: 2.8V FORWARD, 2.8V REVERSE
 - CONTACT RESISTANCE: 50mΩ MAX. @ 1A 12VDC
 - INSULATION RESISTANCE: 1,000MΩ @ 500VDC
 - DIELECTRIC STRENGTH: 2,000VAC MIN. FOR 1 MINUTE
 - ELECTRICAL LIFE: 50,000 CYCLES
 - OPERATING TEMPERATURE: -20°C TO 55°C
 - INGRESS PROTECTION: IP65
 - SUPPLIED HARDWARE: O-RING AND HEXNUT
 - ▲ DENOTES CRITICAL PARAMETER
 - 2002/95/EC (ROHS) COMPLIANT
 - ▲ ILLUMINATION COLOR: BLUE (FORWARD), BLUE (REVERSE)
 - ▲ CONTACT PLATING: SILVER



TITLE PV8F2V011-341

A	21793	RELEASE FOR PRODUCTION	3/3/15	rc
REV	PCR NO	DESCRIPTION	DATE	BY

SCALE	DATE	DR	DWG	REV
1:1	3/3/2015	rc	52-PV8F2V011341	A

THE INFORMATION CONTAINED IN THIS DOCUMENT IS PROPRIETARY TO E-SWITCH AND IS NOT TO BE COPIED OR TRANSFERRED