



Chipsmall Limited consists of a professional team with an average of over 10 year of expertise in the distribution of electronic components. Based in Hongkong, we have already established firm and mutual-benefit business relationships with customers from,Europe,America and south Asia,supplying obsolete and hard-to-find components to meet their specific needs.

With the principle of “Quality Parts,Customers Priority,Honest Operation,and Considerate Service”,our business mainly focus on the distribution of electronic components. Line cards we deal with include Microchip,ALPS,ROHM,Xilinx,Pulse,ON,Everlight and Freescale. Main products comprise IC,Modules,Potentiometer,IC Socket,Relay,Connector.Our parts cover such applications as commercial,industrial, and automotives areas.

We are looking forward to setting up business relationship with you and hope to provide you with the best service and solution. Let us make a better world for our industry!



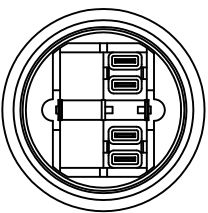
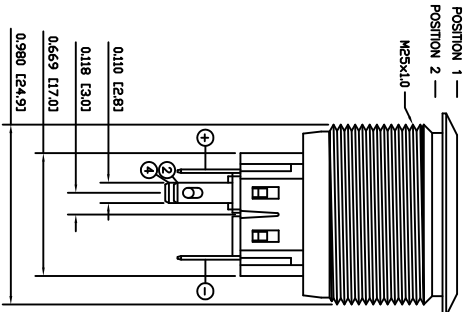
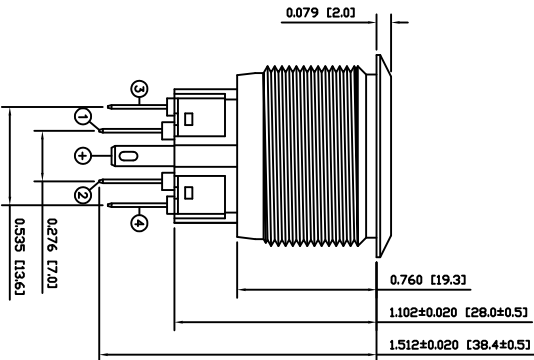
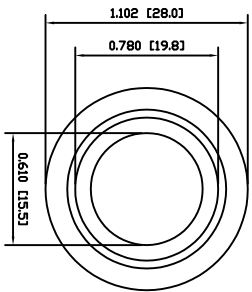
Contact us

Tel: +86-755-8981 8866 Fax: +86-755-8427 6832

Email & Skype: info@chipsmall.com Web: www.chipsmall.com

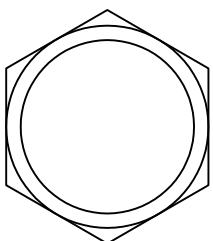
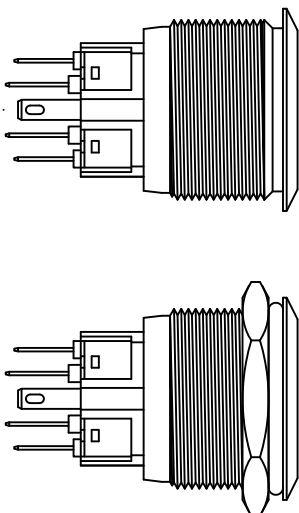
Address: A1208, Overseas Decoration Building, #122 Zhenhua RD., Futian, Shenzhen, China





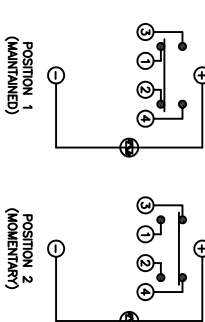
MAXIMUM PANEL THICKNESS: 0.394 [10.0mm]

SUGGESTED PANEL CUTOUT



EXPLODED VIEW

ASSEMBLED VIEW



SCHEMATIC

FUNCTION: 1PNO OFF-(ON) + 1PNC ON-(OFF)

RATING:
2A 48VDC

ILLUMINATION VOLTAGE:
1.8V 20mA

CONTACT RESISTANCE:
Initial: 50mΩ Max. at 1A 12VDC

INSULATION RESISTANCE:
1,000MΩ Min. at 500VDC

DIELECTRIC STRENGTH:
2,000VAC Min. for 1 Minute

ELECTRICAL LIFE:
50,000 Cycles

MECHANICAL LIFE:
1,000,000 Cycles

TEMPERATURE:
Operating: -20°C to 70°C

INGRESS PROTECTION:
IP65

APPROVALS:
ROHS
COMPLIANT

MATERIALS

BUSHING: Stainless Steel (304)

BASE: Polyamide 6/6 (PA66)

ACTUATOR: Stainless Steel (304)
Polycarbonate (PC)

HARDWARE: Nickel Plated Brass (H59)

SEALING: Silicone Rubber

INNER ASSEMBLY: Polyamide 6/6 (PA66)
Polycarbonate (PC)
Polyoxymethylene (POM)
Epoxy (EPO)
Stainless Steel
Beryllium Copper

SPRING: Stainless Steel

CONTACTS: Silver/Palladium Oxide (AgPdO)

TERMINALS: Brass

O-RINGS: Silicone Rubber

COLORS AND FINISH

BEZEL: Stainless Steel
Machine Finish

ACTUATOR: Stainless Steel
Machine Finish

ILLUMINATION: Red (Forward)
Red (Reverse)

MARKING: None

REV.	DATE	BY
A	09/07/08	CAB
A	09/07/08	CAB
A	09/07/08	CAB

THE INFORMATION CONTAINED IN THIS DOCUMENT IS PROPRIETARY TO E-SWITCH AND IS NOT TO BE COPIED OR TRANSMITTED

REV. A

INITIAL RELEASE DESCRIPTION

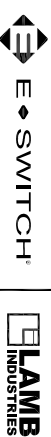
13381 10/12/22
FOR DATE DRAWN BY

SCALE: ±0.008 [±0.2] / ±1%
PROJECTION: THIRD ANGLE

TITLE: PV8F2Y0SS311

DATE: OCTOBER 22, 2010

REVISION: A



PV8F2Y0SS-311