



Chipsmall Limited consists of a professional team with an average of over 10 year of expertise in the distribution of electronic components. Based in Hongkong, we have already established firm and mutual-benefit business relationships with customers from,Europe,America and south Asia,supplying obsolete and hard-to-find components to meet their specific needs.

With the principle of “Quality Parts,Customers Priority,Honest Operation,and Considerate Service”,our business mainly focus on the distribution of electronic components. Line cards we deal with include Microchip,ALPS,ROHM,Xilinx,Pulse,ON,Everlight and Freescale. Main products comprise IC,Modules,Potentiometer,IC Socket,Relay,Connector.Our parts cover such applications as commercial,industrial, and automotives areas.

We are looking forward to setting up business relationship with you and hope to provide you with the best service and solution. Let us make a better world for our industry!



## Contact us

Tel: +86-755-8981 8866 Fax: +86-755-8427 6832

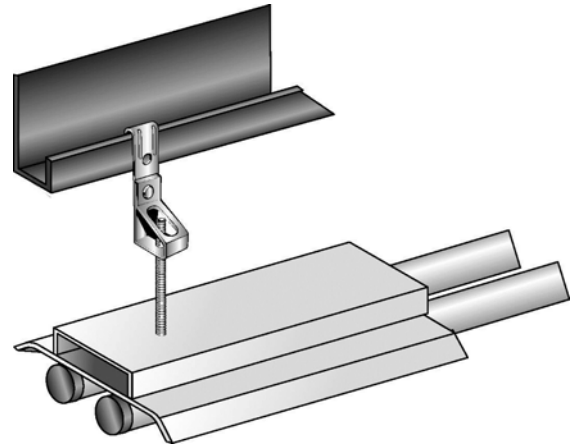
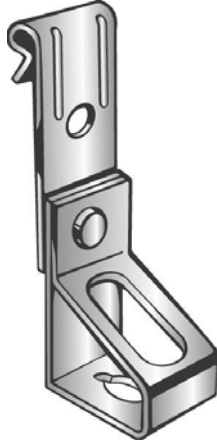
Email & Skype: info@chipsmall.com Web: www.chipsmall.com

Address: A1208, Overseas Decoration Building, #122 Zhenhua RD., Futian, Shenzhen, China



Part Number: PVF144TI

Product Description: PURLIN CLIP FOR 1/16" - 5/32" VERTICAL FLANGE WITH ROD HANGER FOR 1/4" THREADED ROD



### Material Specifications

Type: Assembly

Finish: Assembly

Color: Various

### Function Specifications

#### Compatible Wires and Cables

AC/MC CABLE (OD):  
Drop Wire:  
Plain Rod (in):

#### Threaded Rods and Bolts

Tapped Holes: 1/4-20  
Clearance Holes (in): 1/4  
Threaded Rod Size (in): 1/4

#### Compatible Conduit

EMT Size (in):  
Rigid/IMC (in):

#### Compatible Flanges and Studs

Flange Size (in): 1/16 to 5/32 (Vertical Flan  
Metal Stud Size (ins):

#### Static Load Rating

Vertical (lbs): 160  
Horizontal (lbs):

#### Other

### Codes and Regulatory

Regulatory Certifications: -

Country of Origin: US

### Packaging

General Packaging: Cardboard Box  
Box Size: 8.25 X 6.25 X 6

Pieces per Package: 100  
Other Box Features:

### Document Information

Created By: DBLA  
Checked By: DJW  
Approved By: KLN

Customer Specification #: C11301  
Revision Level: 01  
ECN #: GAECN01482  
Date: 12/10/2013