



Chipsmall Limited consists of a professional team with an average of over 10 year of expertise in the distribution of electronic components. Based in Hongkong, we have already established firm and mutual-benefit business relationships with customers from,Europe,America and south Asia,supplying obsolete and hard-to-find components to meet their specific needs.

With the principle of “Quality Parts,Customers Priority,Honest Operation,and Considerate Service”,our business mainly focus on the distribution of electronic components. Line cards we deal with include Microchip,ALPS,ROHM,Xilinx,Pulse,ON,Everlight and Freescale. Main products comprise IC,Modules,Potentiometer,IC Socket,Relay,Connector.Our parts cover such applications as commercial,industrial, and automotives areas.

We are looking forward to setting up business relationship with you and hope to provide you with the best service and solution. Let us make a better world for our industry!



Contact us

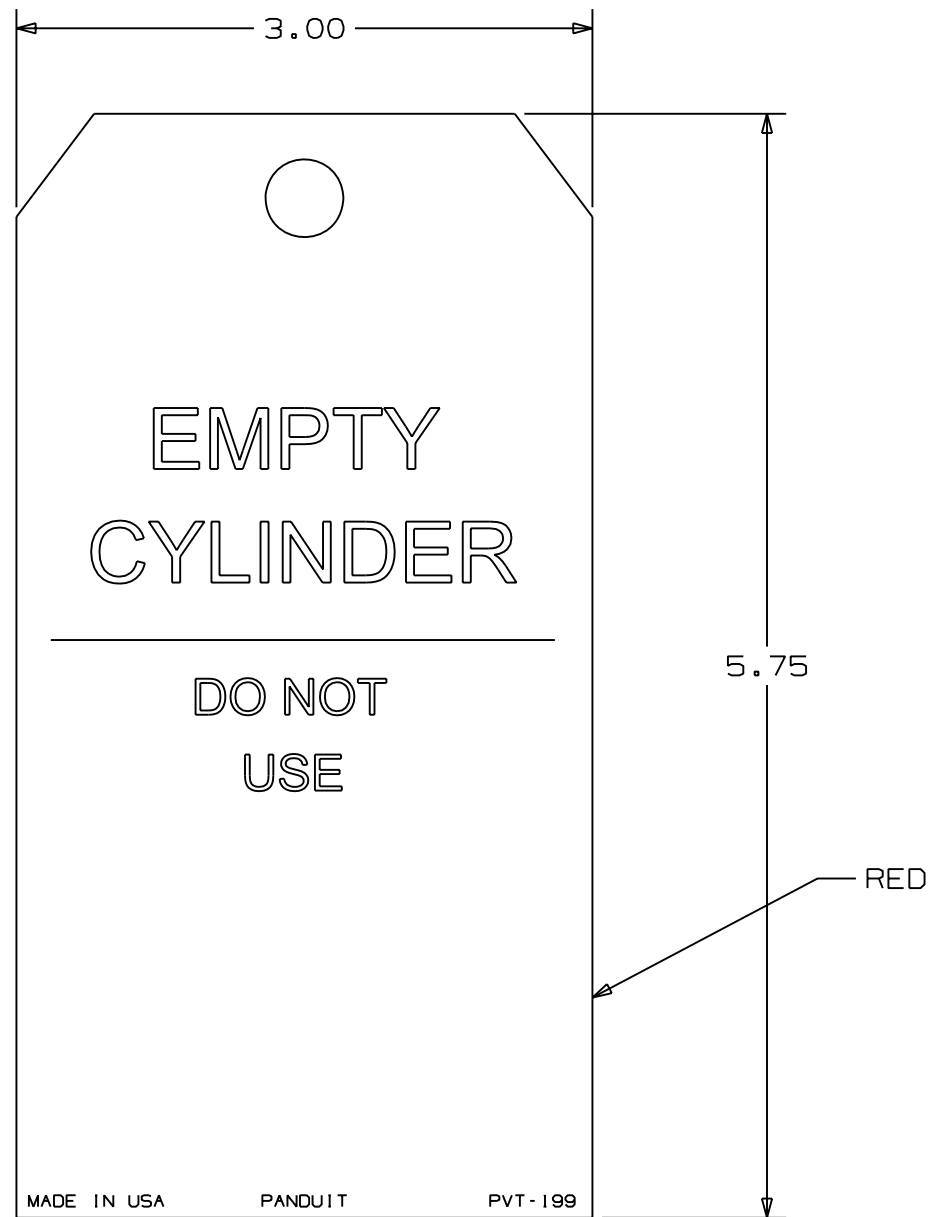
Tel: +86-755-8981 8866 Fax: +86-755-8427 6832

Email & Skype: info@chipsmall.com Web: www.chipsmall.com

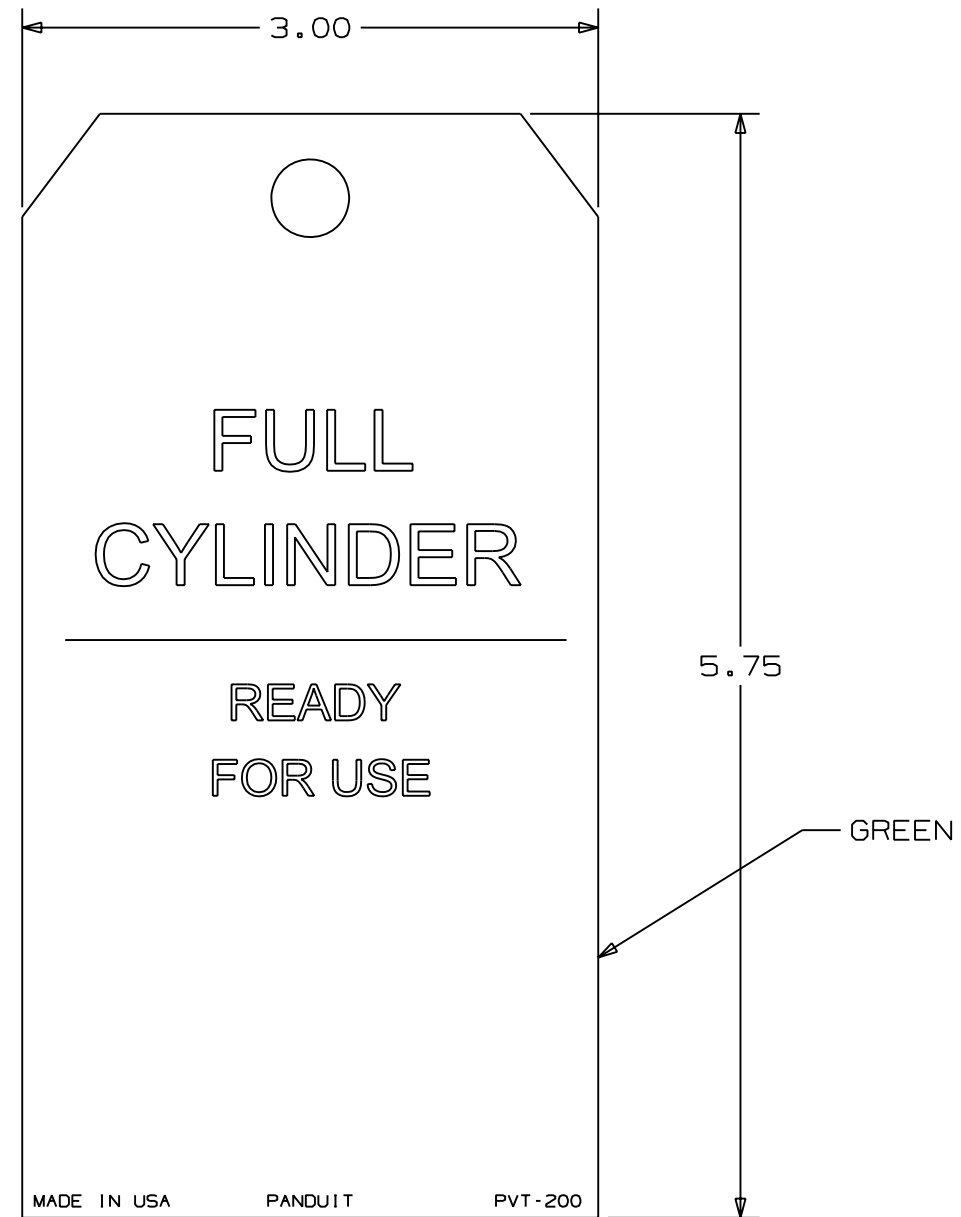
Address: A1208, Overseas Decoration Building, #122 Zhenhua RD., Futian, Shenzhen, China



NOTE:
 1. SEE MFG. DRAWING NO. A30227.
 2. BACK OF THE TAG IS BLANK.



FRONT



FRONT

										CAD FILENAME/LAYERS 100619DW_C10499_PVT-xxx_00.PRT		
										PANDUIT CORP. TINLEY PARK, ILLINOIS		
										CUSTOMER DRAWING PVT-199-Q AND PVT-200-Q LOCKOUT/TAGOUT		
										UNLESS OTHERWISE SPECIFIED, DIMENSIONAL TOLERANCES ARE: (.X) ± X (.XXX) ± X (.XX) ± 1/32 ANGLES ± X		
										UNLESS OTHERWISE SPECIFIED, ALL DIMENSIONS ARE GIVEN IN INCHES, THIRD ANGLE PROJECTION		
										DRAWN BY RVU		
										DATE 9-14-06		
										MAT'L: GMPT		
										SCALE NTS		
										DRAWING NO. C10499		
										DWG B SIZE		
0	9-14-06	RVU										
REV	DATE	BY	CHK	DESCRIPTION			ECN	R	CUST	SUP	CHK'D	