



Chipsmall Limited consists of a professional team with an average of over 10 year of expertise in the distribution of electronic components. Based in Hongkong, we have already established firm and mutual-benefit business relationships with customers from,Europe,America and south Asia,supplying obsolete and hard-to-find components to meet their specific needs.

With the principle of "Quality Parts,Customers Priority,Honest Operation,and Considerate Service",our business mainly focus on the distribution of electronic components. Line cards we deal with include Microchip,ALPS,ROHM,Xilinx,Pulse,ON,Everlight and Freescale. Main products comprise IC,Modules,Potentiometer,IC Socket,Relay,Connector.Our parts cover such applications as commercial,industrial, and automotives areas.

We are looking forward to setting up business relationship with you and hope to provide you with the best service and solution. Let us make a better world for our industry!



Contact us

Tel: +86-755-8981 8866 Fax: +86-755-8427 6832

Email & Skype: info@chipsmall.com Web: www.chipsmall.com

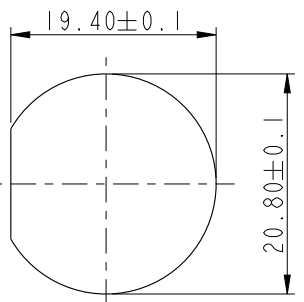
Address: A1208, Overseas Decoration Building, #122 Zhenhua RD., Futian, Shenzhen, China



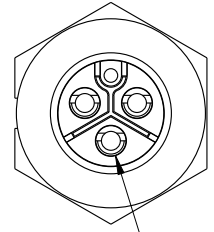
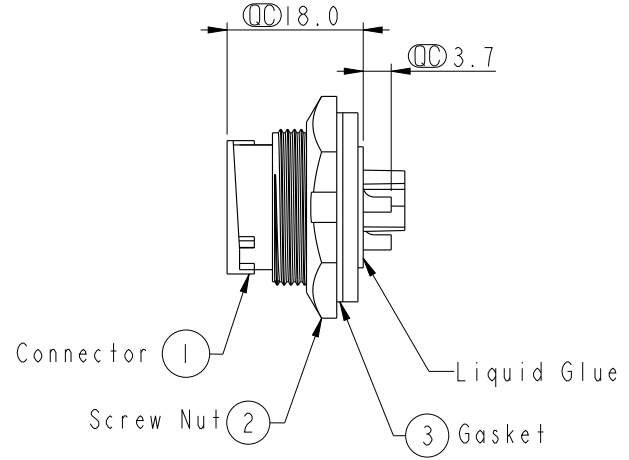
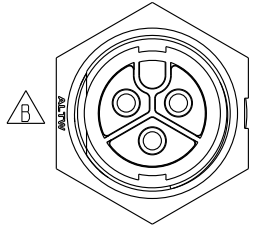
REV.	ECN NO.	DATE	SIGN	DESCRIPTION
A	Initial Release	2012/08/13	Yulong	Change Rve.01 To Rve.A
B	LEN1590264	2015-09-09	Tom	Change Logo

ALTW
CONFIDENTIAL
2015-09-09
R&D DEPT.

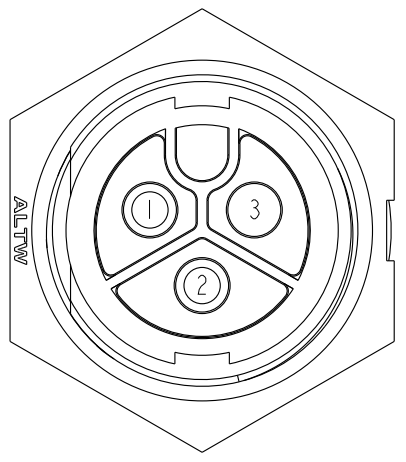
ALTW
DCC. DEPT.
CONFIDENTIAL
2015.09.18
ISSUED



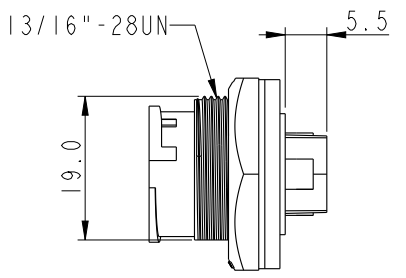
Recommended
Panel Cut-Out



Long Male Pin (Pin 2)



Pin Assignments
Front View



- Note:
- * CC Important Dimension To Check.
 - * Waterproof Rate: IP67
 - * Connector: Nylon+GF, Black
 - * Male Pin: Copper Alloy, Gold Plated.
 - * Screw Nut: Nylon+GF, Black.
 - * Gasket: Silicone, UL94V-0, Gray.
 - * Maximum Panel Thickness: 4.5mm.

UNIT: mm		
TOLERANCE	.X	±0.25
	.XX	±0.1
	.XXX	±0.05
	ANGLES	±1°

TITLE POWER PANEL LOCK 3PIN M CONN M PIN			
SCALE	SIZE	SHEET	OF
1:1	A4	1	1
REV.	WC-REV.	CC : Inspection item	
B	A.4		

Amphenol LTW
安費諾亮泰企業股份有限公司

ITEM NO.	PWC-03PMMS-LC7001	DRAWN BY	Tom	DATE	2015-09-09
DWG NO.	PWC-03PMMS-LC7001	CHECKED BY	Jiazhen	DATE	2015-09-09
CUSTOMER	ALTW	APPROVED BY	Jerry	DATE	2015-09-09

THIS DOCUMENT IS SUBJECT TO CHANGE WITHOUT NOTICE. IT IS CONFIDENTIAL AND A PROPERTY OF Amphenol LTW. DISCLOSURE TO THIRD PARTY HAS TO BE AUTHORIZED BY Amphenol LTW.