



Chipsmall Limited consists of a professional team with an average of over 10 year of expertise in the distribution of electronic components. Based in Hongkong, we have already established firm and mutual-benefit business relationships with customers from,Europe,America and south Asia,supplying obsolete and hard-to-find components to meet their specific needs.

With the principle of "Quality Parts,Customers Priority,Honest Operation,and Considerate Service",our business mainly focus on the distribution of electronic components. Line cards we deal with include Microchip,ALPS,ROHM,Xilinx,Pulse,ON,Everlight and Freescale. Main products comprise IC,Modules,Potentiometer,IC Socket,Relay,Connector.Our parts cover such applications as commercial,industrial, and automotives areas.

We are looking forward to setting up business relationship with you and hope to provide you with the best service and solution. Let us make a better world for our industry!



Contact us

Tel: +86-755-8981 8866 Fax: +86-755-8427 6832

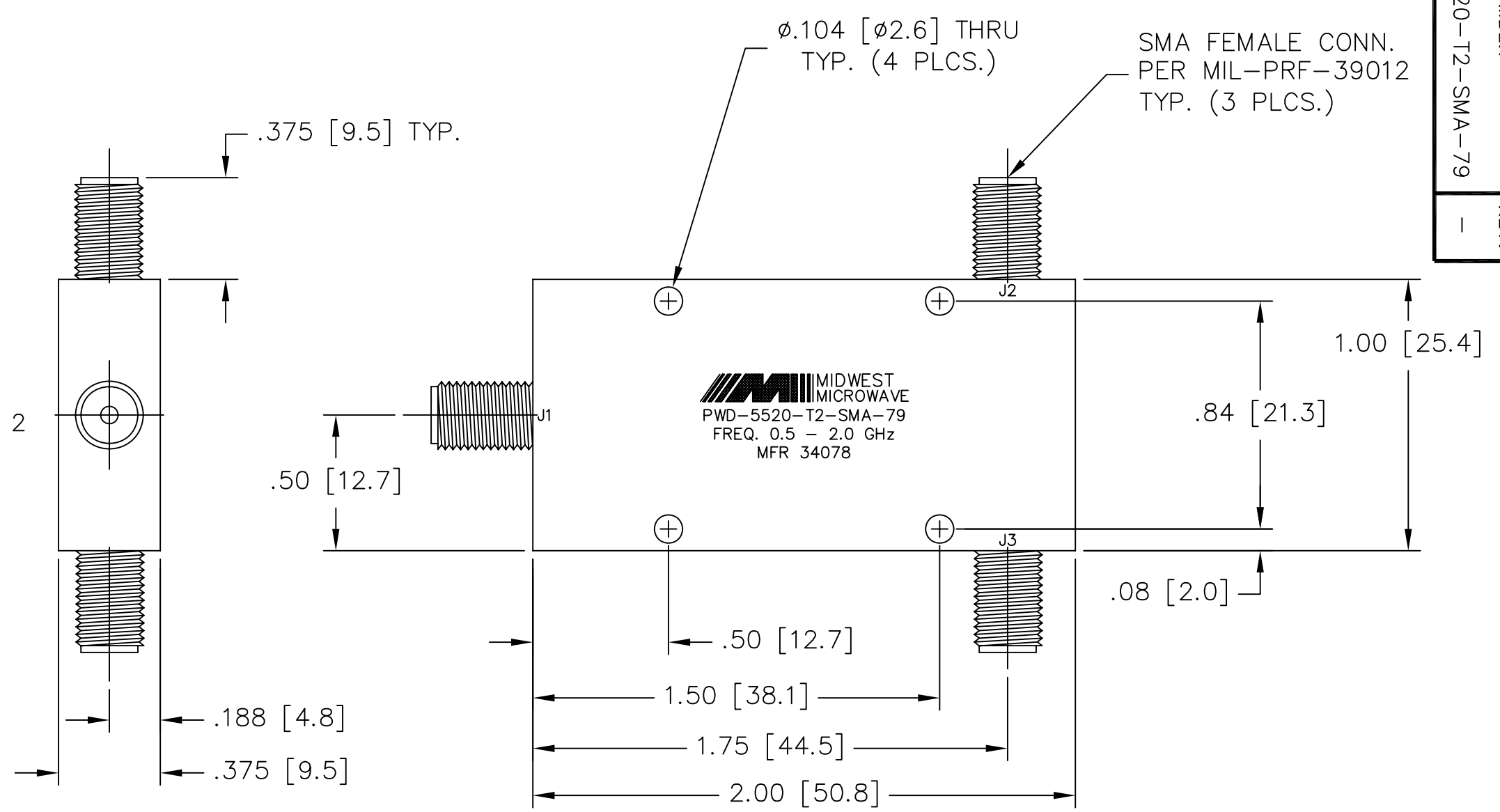
Email & Skype: info@chipsmall.com Web: www.chipsmall.com

Address: A1208, Overseas Decoration Building, #122 Zhenhua RD., Futian, Shenzhen, China



NOTES:

- 1.0 ELECTRICAL SPECIFICATIONS:
 - 1.1 FREQUENCY RANGE: 0.5 to 2.0 GHz
 - 1.2 INSERTION LOSS: 0.5dB MAX.
 - 1.3 ISOLATION: 20dB MIN.
 - 1.4 VSWR (MAX): 1.25:1
 - 1.5 OUTPUT UNBALANCE:
 - 1.5.1 AMPLITUDE: 0.2dB MAX.
 - 1.5.2 PHASE: 4.0° MAX.
 - 1.6 MAX. INPUT POWER: 3 WATTS
WITH OUTPUT LOAD VSWR ≤ 2.0:1
 - 1.7 OPERATING TEMP. RANGE:
-65°C to +125°C
- 2.0 FINISH
 - 2.1 EPOXY SEAL WITH EMERSON-CUMING
ECCOBOND 45 EPOXY & CATALYST 15
 - 2.2 GREY OVER MIL-E-15090 TYPE II, CLASS 2
OVER MIL-C-5541 CLASS 3A
MEETS MIL-F-14072
MEETS MIL-E-5400 AND MIL-E-16400V.
- 3.0 DATA: (NO DATA REQUIRED)
- 4.0 DIMENSIONS IN PARENTHESIS ARE
IN MILLIMETERS.
- 5.0 MARKING: MARK UNIT AS SHOWN
(REF.: SLK-08066-82-01)



UNLESS OTHERWISE NOTED DIMENSIONS ARE IN INCHES AND TOLERANCES ARE:		FSCM NO. 34078		MIDWEST MICROWAVE	
3 PLACE DECIMALS ±.005		NOTICE: The information contained in this drawing is proprietary and must not be used without the permission of Midwest Microwave		TITLE POWER DIVIDER	
2 PLACE DECIMALS ±.02				DRAWING NUMBER PWD-5520-T2-SMA-79	
FRACTIONS ±1/64				SCALE: 2=1	
PARALLELITY: T.I.R. _____				SHEET 1 of 1	
FLATNESS: T.I.R. _____		DRAWN/DATE S. ORLOV 2/5/03		ENG./DATE P. GOODMAN 2/5/03	
CONCENTRICITY: T.I.R. _____		CHECKED/DATE		APPROVED/DATE	
ANGLES AND PERPENDICULARITY: ±1°					

DATE	2/5/03
DESCRIPTION	RELEASED
REV.	-