



Chipsmall Limited consists of a professional team with an average of over 10 year of expertise in the distribution of electronic components. Based in Hongkong, we have already established firm and mutual-benefit business relationships with customers from,Europe,America and south Asia,supplying obsolete and hard-to-find components to meet their specific needs.

With the principle of "Quality Parts,Customers Priority,Honest Operation,and Considerate Service",our business mainly focus on the distribution of electronic components. Line cards we deal with include Microchip,ALPS,ROHM,Xilinx,Pulse,ON,Everlight and Freescale. Main products comprise IC,Modules,Potentiometer,IC Socket,Relay,Connector.Our parts cover such applications as commercial,industrial, and automotives areas.

We are looking forward to setting up business relationship with you and hope to provide you with the best service and solution. Let us make a better world for our industry!



Contact us

Tel: +86-755-8981 8866 Fax: +86-755-8427 6832

Email & Skype: info@chipsmall.com Web: www.chipsmall.com

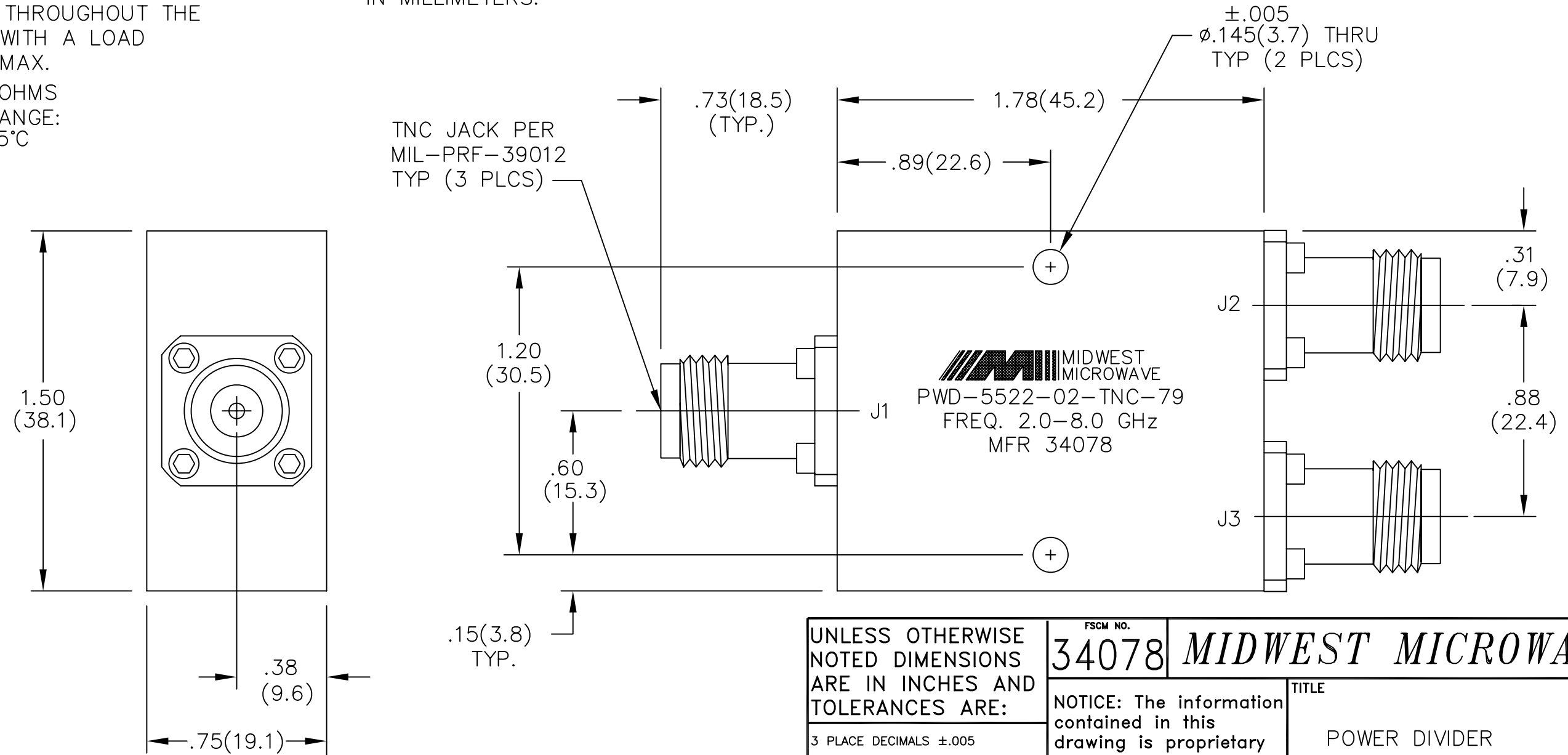
Address: A1208, Overseas Decoration Building, #122 Zhenhua RD., Futian, Shenzhen, China



NOTES:

- 1.0 ELECTRICAL SPECIFICATIONS:
 1.1 FREQUENCY RANGE: 2.0 to 8.0 GHz
 1.2 INSERTION LOSS: 1.0dB MAX.
 1.3 ISOLATION: 15dB MIN.
 1.4 VSWR (MAX): 1.80:1
 1.5 OUTPUT UNBALANCE:
 AMPLITUDE: 0.40dB MAX.
 PHASE: 10° MAX.
 1.6 MAX. INPUT POWER:
 10 WATTS CW THROUGHOUT THE
 FREQ. RANGE WITH A LOAD
 VSWR OF 2:1 MAX.
 1.7 IMPEDANCE: 50 OHMS
 1.8 TEMPERATURE RANGE:
 -65°C to +125°C

- 2.0 FINISHING:
 2.1 GREY PER MIL-E-15090 TYPE II, CLASS 2
 OVER MIL-C-5541 CLASS 3A
 MEETS MIL-F-14072
 MEETS MIL-E-5400
 2.2 MARKING: MARK UNIT AS SHOWN
 (REF.: SLK-08921-84-04) USING BLUE INK
 3.0 DIMENSIONS IN PARENTHESIS ARE
 IN MILLIMETERS.



UNLESS OTHERWISE NOTED DIMENSIONS ARE IN INCHES AND TOLERANCES ARE:		FSCM NO. 34078		MIDWEST MICROWAVE	
3 PLACE DECIMALS ±.005 2 PLACE DECIMALS ±.02 FRACTIONS ±1/64 PARALLELITY: T.I.R. _____ FLATNESS: T.I.R. _____ CONCENTRICITY: T.I.R. _____ ANGLES AND PERPENDICULARITY: ±1°		NOTICE: The information contained in this drawing is proprietary and must not be used without the permission of Midwest Microwave		TITLE POWER DIVIDER	
		DRAWN/DATE L.BROWN 3/19/99	ENG./DATE P.GOODMAN 3/29/99	DRAWING NUMBER PWD-5522-02-TNC-79	
		CHECKED/DATE	APPROVED/DATE	SCALE: 2=1	SHEET 1 of 1

REV.	DESCRIPTION	DATE
-	RELEASED	3/30/99
-1	ADDED TITLEBLOCK	7/19/05