



Chipsmall Limited consists of a professional team with an average of over 10 year of expertise in the distribution of electronic components. Based in Hongkong, we have already established firm and mutual-benefit business relationships with customers from,Europe,America and south Asia,supplying obsolete and hard-to-find components to meet their specific needs.

With the principle of “Quality Parts,Customers Priority,Honest Operation,and Considerate Service”,our business mainly focus on the distribution of electronic components. Line cards we deal with include Microchip,ALPS,ROHM,Xilinx,Pulse,ON,Everlight and Freescale. Main products comprise IC,Modules,Potentiometer,IC Socket,Relay,Connector.Our parts cover such applications as commercial,industrial, and automotives areas.

We are looking forward to setting up business relationship with you and hope to provide you with the best service and solution. Let us make a better world for our industry!



Contact us

Tel: +86-755-8981 8866 Fax: +86-755-8427 6832

Email & Skype: info@chipsmall.com Web: www.chipsmall.com

Address: A1208, Overseas Decoration Building, #122 Zhenhua RD., Futian, Shenzhen, China



NOTES:

1.0 ELECTRICAL SPECIFICATIONS:

1.1 FREQUENCY RANGE: 6.0 to 18.0 GHz

1.2 INSERTION LOSS:

(0.24 + 0.02*f [GHz])dB MAX,
(0.36dB AT 6 GHz, 0.60dB AT 18 GHz)

(WHEN REFERENCED TO 3.0dB
NOMINAL POWER DIVISION LOSS)

1.3 ISOLATION: 18dB MIN.

1.4 VSWR: 1.50:1 MAX.

1.5 OUTPUT UNBALANCE:

1.5.1 AMPLITUDE: 0.3dB MAX.

1.5.2 PHASE: 5° MAX.

1.6 MAX. INPUT POWER: 3.0 WATTS, WITH ALL
OUTPUTS TERMINATED BY LOADS WITH
VSWR < 2.0:1

1.7 STORAGE TEMP. RANGE: -65°C to +125°C

1.8 OPERATING TEMP. RANGE: -54°C to +125°C

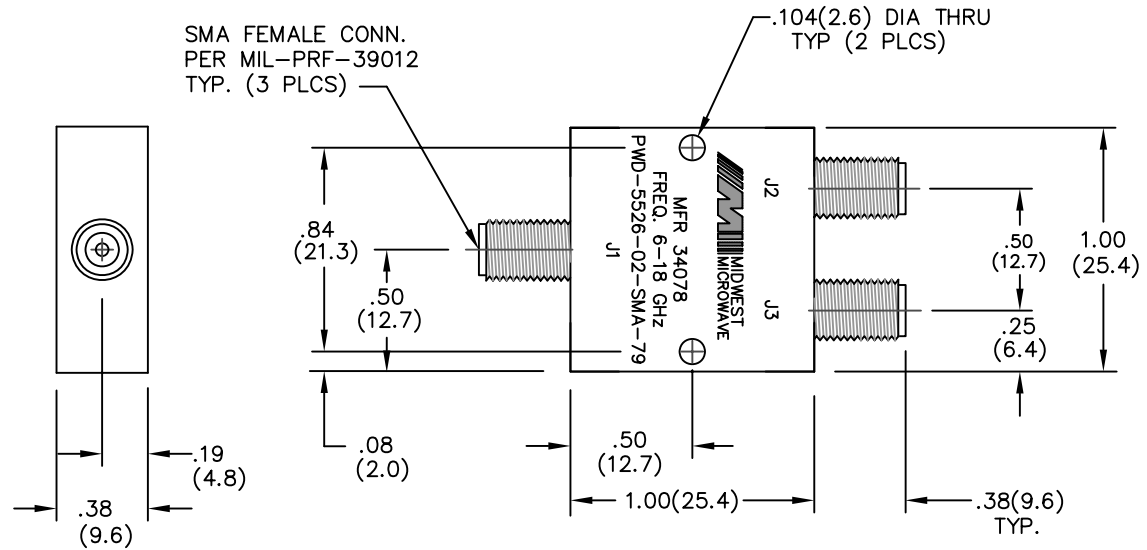
2.0 WEIGHT: 27 GRAMS (1.0 Oz.)

3.0 FINISHING:

3.1 GREY OVER MIL-E-15090 TYPE II, CLASS 2
OVER MIL-C-5541 CLASS 3A
MEETS MIL-F-14072
MEETS MIL-E-5400

3.2 MARKING: MARK UNIT AS SHOWN
USING BLUE INK
(REF.: SLK-09421-82-03)

4.0 DIMENSIONS IN PARENTHESIS ARE
IN MILLIMETERS.



MODEL NUMBER
PWD-5526-02-SMA-79

REV.	DESCRIPTION	DATE
-	RELEASED	4/21/92
A	ECN 18740	9/20/02
B	ECN 18891	6/16/04

NOTICE: The information contained in this drawing is proprietary and must not be used without the permission of Emerson Network Power.

UNLESS OTHERWISE NOTED DIMENSIONS ARE IN INCHES AND TOLERANCES ARE:

3 PLACE DECIMALS ±.005
2 PLACE DECIMALS ±.02
FRACTIONS ±1/64
PARALLELITY: T.I.R. _____
FLATNESS: T.I.R. _____
CONCENTRICITY: T.I.R. _____
ANGLES AND PERPENDICULARITY: ±1'

CAGE CODE 34078		MIDWEST MICROWAVE	
		TITLE POWER DIVIDER OUTLINE DRAWING	
		DRAWING NUMBER PWD-5526-02-SMA-79-01	REV. B
DRAWN/DATE A.BEATTY 4/7/92 CHECKED/DATE A.OSGA 4/7/92	ENG./DATE P.GOODMAN 4/17/92 APPROVED/DATE	SCALE: 5=1	SHEET 1 of 1