



Chipsmall Limited consists of a professional team with an average of over 10 year of expertise in the distribution of electronic components. Based in Hongkong, we have already established firm and mutual-benefit business relationships with customers from,Europe,America and south Asia,supplying obsolete and hard-to-find components to meet their specific needs.

With the principle of “Quality Parts,Customers Priority,Honest Operation,and Considerate Service”,our business mainly focus on the distribution of electronic components. Line cards we deal with include Microchip,ALPS,ROHM,Xilinx,Pulse,ON,Everlight and Freescale. Main products comprise IC,Modules,Potentiometer,IC Socket,Relay,Connector.Our parts cover such applications as commercial,industrial, and automotives areas.

We are looking forward to setting up business relationship with you and hope to provide you with the best service and solution. Let us make a better world for our industry!



## Contact us

Tel: +86-755-8981 8866 Fax: +86-755-8427 6832

Email & Skype: info@chipsmall.com Web: www.chipsmall.com

Address: A1208, Overseas Decoration Building, #122 Zhenhua RD., Futian, Shenzhen, China



NOTES:

1.0 ELECTRICAL SPECIFICATIONS:

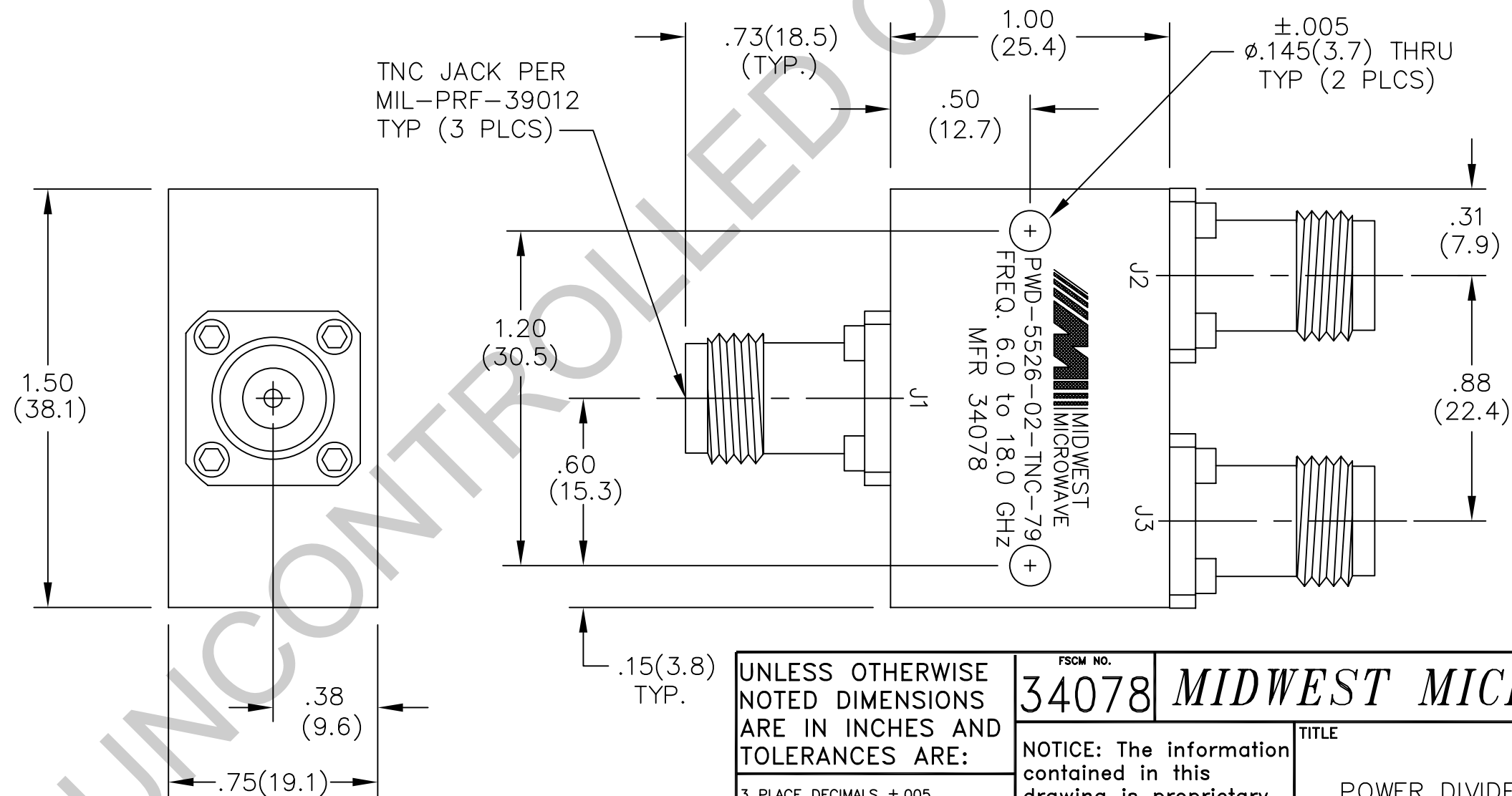
- 1.1 FREQUENCY RANGE: 6.0 to 18.0 GHz
- 1.2 INSERTION LOSS: 0.80dB MAX.
- 1.3 ISOLATION: 15dB MIN.
- 1.4 VSWR (MAX): 1.80:1
- 1.5 OUTPUT UNBALANCE:  
AMPLITUDE: 0.50dB MAX.  
PHASE: 8° MAX.
- 1.6 MAX. INPUT POWER:  
30 WATTS AT +25°C W/OUTPUT LOAD  
VSWR < 2.0:1
- 1.7 IMPEDANCE: 50 OHMS
- 1.8 TEMPERATURE RANGE:  
-65°C to +125°C

2.0 FINISHING:

- 2.1 GREY PER MIL-E-15090 TYPE II, CLASS 2  
OVER MIL-C-5541 CLASS 3A  
MEETS MIL-F-14072  
MEETS MIL-E-5400

2.2 MARKING: MARK UNIT AS SHOWN

3.0 DIMENSIONS IN PARENTHESIS ARE  
IN MILLIMETERS.



UNLESS OTHERWISE NOTED DIMENSIONS ARE IN INCHES AND TOLERANCES ARE:

- 3 PLACE DECIMALS  $\pm .005$
- 2 PLACE DECIMALS  $\pm .02$
- FRACTIONS  $\pm 1/64$
- PARALLELITY: T.I.R. \_\_\_\_\_
- FLATNESS: T.I.R. \_\_\_\_\_
- CONCENTRICITY: T.I.R. \_\_\_\_\_
- ANGLES AND PERPENDICULARITY:  $\pm 1'$

FSCM NO.  
**34078**

**MIDWEST MICROWAVE**

NOTICE: The information contained in this drawing is proprietary and must not be used without the permission of Midwest Microwave

TITLE  
POWER DIVIDER

DRAWN/DATE  
A.BEATTY  
3/13/96

ENG./DATE  
P.GOODMAN  
3/13/96

DRAWING NUMBER  
PWD-5526-02-TNC-79

CHECKED/DATE

APPROVED/DATE

SCALE: 2=1 SHEET 1 of 1

DATE	3/14/96	7/19/05
DESCRIPTION	RELEASED	ADDED TITLEBLOCK
REV.	-	-1