



Chipsmall Limited consists of a professional team with an average of over 10 year of expertise in the distribution of electronic components. Based in Hongkong, we have already established firm and mutual-benefit business relationships with customers from,Europe,America and south Asia,supplying obsolete and hard-to-find components to meet their specific needs.

With the principle of “Quality Parts,Customers Priority,Honest Operation,and Considerate Service”,our business mainly focus on the distribution of electronic components. Line cards we deal with include Microchip,ALPS,ROHM,Xilinx,Pulse,ON,Everlight and Freescale. Main products comprise IC,Modules,Potentiometer,IC Socket,Relay,Connector.Our parts cover such applications as commercial,industrial, and automotives areas.

We are looking forward to setting up business relationship with you and hope to provide you with the best service and solution. Let us make a better world for our industry!



Contact us

Tel: +86-755-8981 8866 Fax: +86-755-8427 6832

Email & Skype: info@chipsmall.com Web: www.chipsmall.com

Address: A1208, Overseas Decoration Building, #122 Zhenhua RD., Futian, Shenzhen, China



MODEL NUMBER
PWD-5530-02-SMA-79

NOTES:

1.0 ELECTRICAL SPECIFICATIONS:

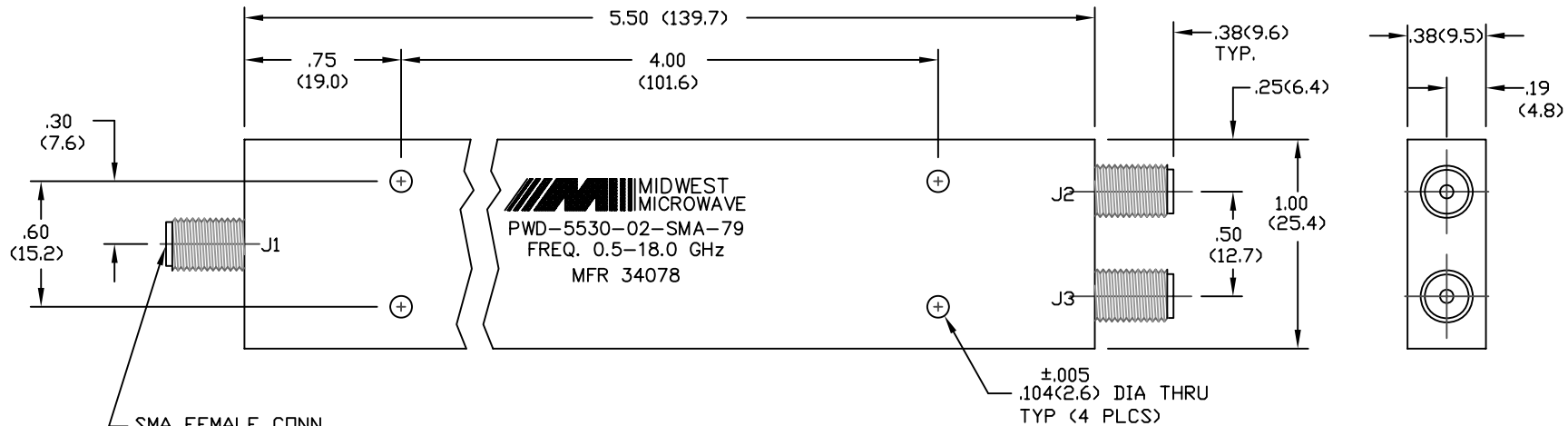
- 1.1 FREQUENCY RANGE: 0.5 to 18.0 GHz.
- 1.2 INSERTION LOSS: $(0.3 + 0.1f)$ dB
WHERE f = FREQUENCY IN GHz
- 1.3 ISOLATION: 18 dB MIN.
- 1.4 VSWR (MAX): 1.50:1
- 1.5 OUTPUT UNBALANCE:
 - 1.5.1 AMPLITUDE: 0.3 dB MAX.
 - 1.5.2 PHASE: 5° MAX.
- 1.6 MAXIMUM INPUT POWER: 10 WATTS
(WITH OUTPUT LOADS OF VSWR < 2.0:1)

2.0 FINISH:

- 2.1 GREY PER MIL-E-15090 TYPE II, CLASS 2
OVER MIL-C-5541 CLASS 3A
MEETS MIL-F-14072
MEETS MIL-E-5400
- 2.2 MARK UNIT AS SHOWN.

3.0 DIMENSIONS IN PARENTHESIS ARE
IN MILLIMETERS.

4.0 WEIGHT: 100 GRAMS MAX.



SMA FEMALE CONN.
PER MIL-PRF-39012
TYP (3 PLCS)

±.005
.104(2.6) DIA THRU
TYP (4 PLCS)

MIDWEST MICROWAVE
PWD-5530-02-SMA-79
FREQ. 0.5-18.0 GHz
MFR 34078

REV.	DESCRIPTION	DATE
-	RELEASED	2/10/93
A	ECN 14086	11/2/94
B	ECN 14432	4/17/95
B1	ADDED TITLEBLOCK	7/20/05

NOTICE: The information contained in this drawing is proprietary and must not be used without the permission of Emerson Network Power. UNLESS OTHERWISE NOTED DIMENSIONS ARE IN INCHES AND TOLERANCES ARE: 3 PLACE DECIMALS ±.005 2 PLACE DECIMALS ±.02 FRACTIONS ±1/64 PARALLELITY: T.I.R. FLATNESS: T.I.R. CONCENTRICITY: T.I.R. ANGLES AND PERPENDICULARITY: ±1°	GAGE CODE 34078	MIDWEST MICROWAVE	
	EMERSON Network Power Connectivity Solutions		TITLE POWER DIVIDER OUTLINE DRAWING
DRAWN/DATE A.BEATTY 4/4/93	ENG./DATE P.GOODMAN 2/9/93	DRAWING NUMBER PWD-5530-02-SMA-79-01	REV. B1
CHECKED/DATE A.OSGA 4/8/93	APPROVED/DATE	SCALE: 5=1	SHEET 1 of 1