



Chipsmall Limited consists of a professional team with an average of over 10 year of expertise in the distribution of electronic components. Based in Hongkong, we have already established firm and mutual-benefit business relationships with customers from,Europe,America and south Asia,supplying obsolete and hard-to-find components to meet their specific needs.

With the principle of "Quality Parts,Customers Priority,Honest Operation,and Considerate Service",our business mainly focus on the distribution of electronic components. Line cards we deal with include Microchip,ALPS,ROHM,Xilinx,Pulse,ON,Everlight and Freescale. Main products comprise IC,Modules,Potentiometer,IC Socket,Relay,Connector.Our parts cover such applications as commercial,industrial, and automotives areas.

We are looking forward to setting up business relationship with you and hope to provide you with the best service and solution. Let us make a better world for our industry!



Contact us

Tel: +86-755-8981 8866 Fax: +86-755-8427 6832

Email & Skype: info@chipsmall.com Web: www.chipsmall.com

Address: A1208, Overseas Decoration Building, #122 Zhenhua RD., Futian, Shenzhen, China



NOTES:

1.0 ELECTRICAL SPECIFICATIONS:

- 1.1 FREQUENCY RANGE: 0.5 to 18.0 GHz.
- 1.2 INSERTION LOSS: $(0.5 + 0.1f)$ dB
WHERE f = FREQUENCY IN GHz
- 1.3 ISOLATION: 15dB MIN.
- 1.4 VSWR (MAX): 1.50:1 0.5-8.0 GHz
1.70:1 8.0-12.0 GHz
1.90:1 12.0-18.0 GHz

1.5 OUTPUT UNBALANCE:

- 1.5.1 AMPLITUDE: 0.5dB MAX.
- 1.5.2 PHASE: 10° MAX.

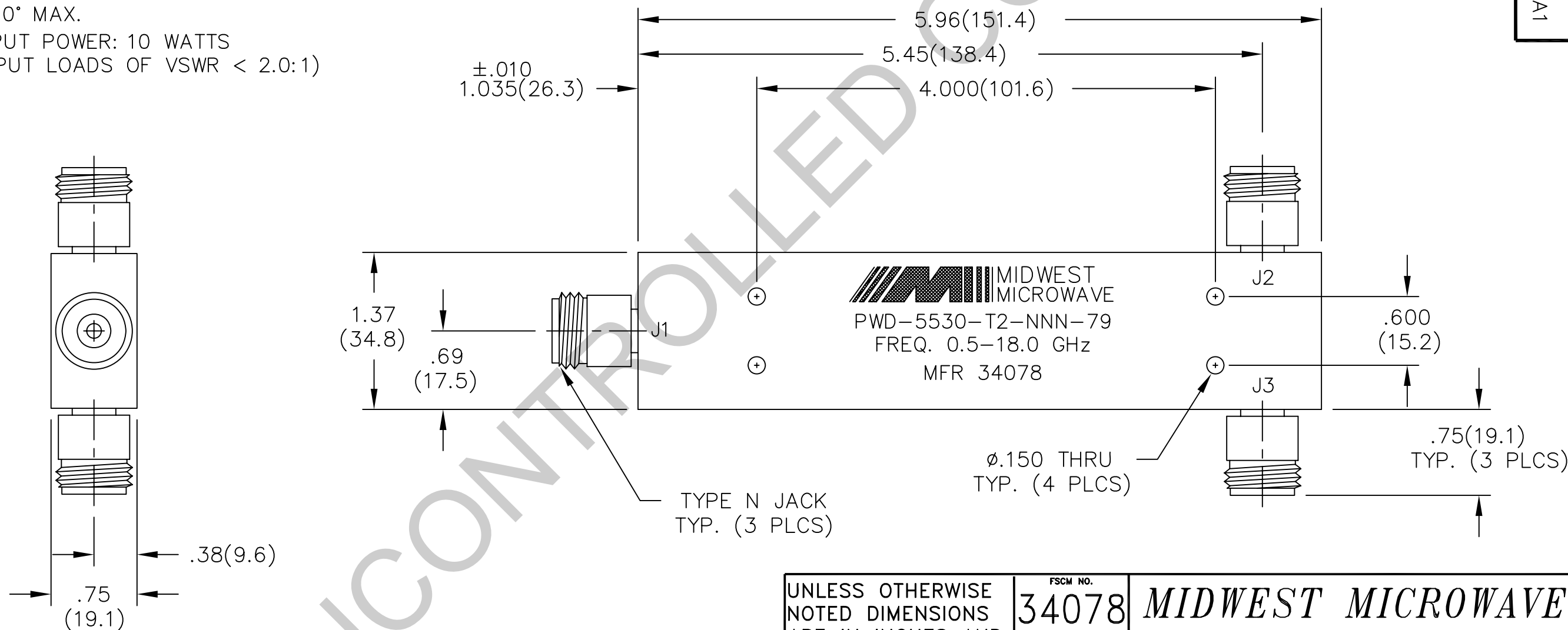
1.6 MAXIMUM INPUT POWER: 10 WATTS

(WITH OUTPUT LOADS OF VSWR < 2.0:1)

2.0 FINISH:

- 2.1 GREY PER MIL-E-15090 TYPE II, CLASS 2
OVER MIL-C-5541 CLASS 3A
MEETS MIL-F-14072
MEETS MIL-E-5400
- 2.2 MARKING: MARK UNIT AS SHOWN.
(REF.: SLK-08048-82-01)

3.0 DIMENSIONS IN PARENTHESIS ARE
IN MILLIMETERS.



MODEL NUMBER	PWD-5530-T2-NNN-79
REV.	A1

DATE	5/16/97	8/14/97	7/20/05
DESCRIPTION	RELEASED	ECN 16158	ADDED TITLEBLOCK
REV.	-	A	A1

UNLESS OTHERWISE NOTED DIMENSIONS ARE IN INCHES AND TOLERANCES ARE:		FSCM NO. 34078		MIDWEST MICROWAVE	
3 PLACE DECIMALS ±.005		NOTICE: The information contained in this drawing is proprietary and must not be used without the permission of Midwest Microwave		TITLE POWER DIVIDER	
2 PLACE DECIMALS ±.02		DRAWN/DATE J. VERNON 4/15/97		DRAWING NUMBER PWD-5530-T2-NNN-79	
FRACTIONS ±1/64		ENG./DATE P. GOODMAN 5/16/97		SCALE: 1=1	
PARALLELITY: T.I.R. _____		CHECKED/DATE		APPROVED/DATE	
FLATNESS: T.I.R. _____		ANGLES AND PERPENDICULARITY: ±1°		SHEET 1 of 1	
CONCENTRICITY: T.I.R. _____					