



Chipsmall Limited consists of a professional team with an average of over 10 year of expertise in the distribution of electronic components. Based in Hongkong, we have already established firm and mutual-benefit business relationships with customers from,Europe,America and south Asia,supplying obsolete and hard-to-find components to meet their specific needs.

With the principle of “Quality Parts,Customers Priority,Honest Operation,and Considerate Service”,our business mainly focus on the distribution of electronic components. Line cards we deal with include Microchip,ALPS,ROHM,Xilinx,Pulse,ON,Everlight and Freescale. Main products comprise IC,Modules,Potentiometer,IC Socket,Relay,Connector.Our parts cover such applications as commercial,industrial, and automotives areas.

We are looking forward to setting up business relationship with you and hope to provide you with the best service and solution. Let us make a better world for our industry!



## Contact us

Tel: +86-755-8981 8866 Fax: +86-755-8427 6832

Email & Skype: info@chipsmall.com Web: www.chipsmall.com

Address: A1208, Overseas Decoration Building, #122 Zhenhua RD., Futian, Shenzhen, China



NOTES:

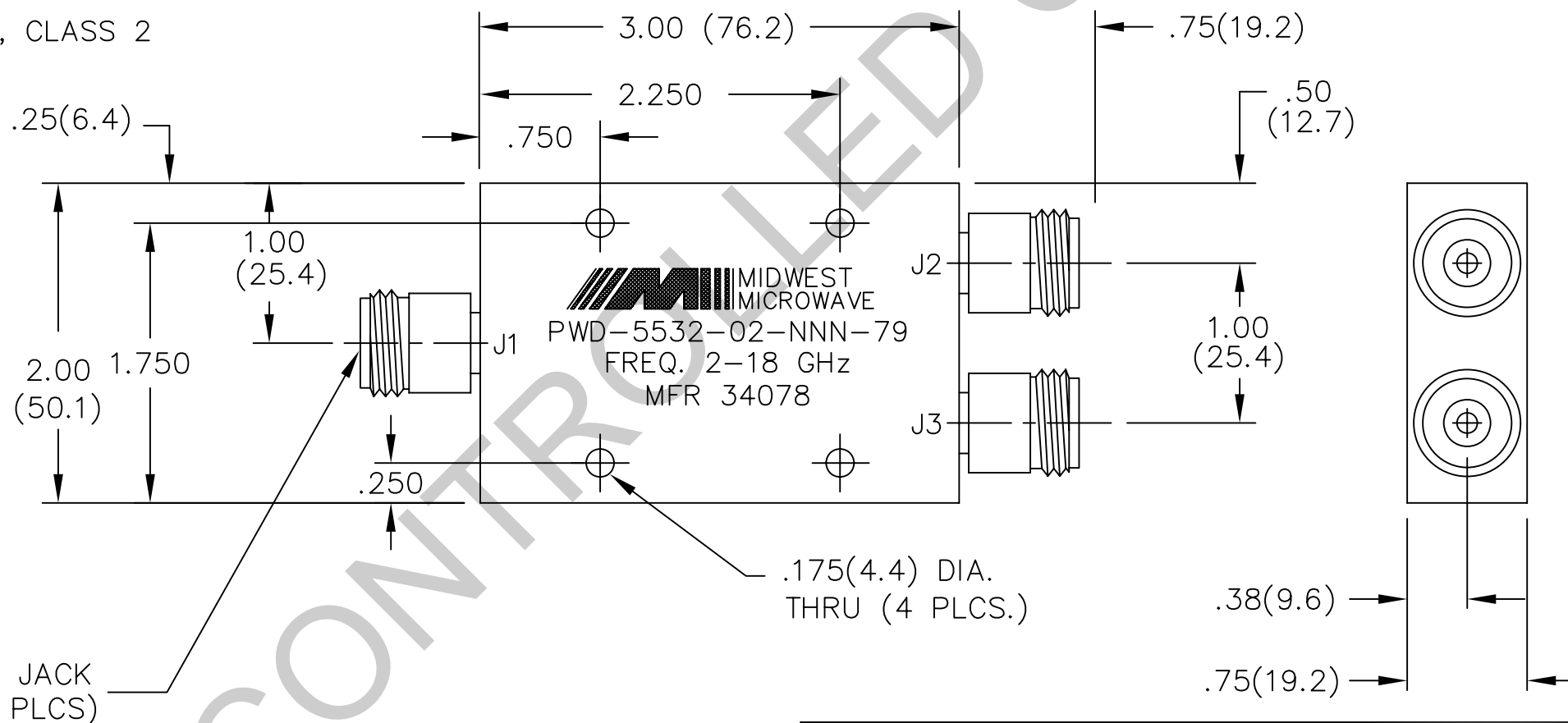
1.0 ELECTRICAL SPECIFICATIONS:

- 1.1 FREQUENCY RANGE: 2.0 to 18.0 GHz
- 1.2 INSERTION LOSS:  $(0.4+0.04*f)$ dB MAX, WHERE f IS FREQUENCY IN GHz.
- 1.3 ISOLATION: 15dB MIN.
- 1.4 VSWR (MAX): 1.50:1
- 1.5 OUTPUT UNBALANCE:
  - 1.5.1 AMPLITUDE: 0.30dB MAX.
  - 1.5.2 PHASE: 5° MAX.
- 1.6 MAXIMUM INPUT POWER: 3 WATTS

- 3.0 MARKING: MARK UNIT AS SHOWN (SLK-08092-82-03)
- 4.0 DIMENSIONS IN PARENTHESIS ARE IN MILLIMETERS.

2.0 FINISHING

GREY OVER MIL-E-15090 TYPE II, CLASS 2  
 OVER MIL-C-5541 CLASS 3A  
 MEETS MIL-F-14072  
 MEETS MIL-E-5400



MODEL NUMBER  
 PWD-5532-02-NNN-79  
 REV.  
 D

REV.	DESCRIPTION	DATE
-	RELEASED	3/13/95
A	ECN 16826	9/4/98
B	ECN 16924	12/4/98
C	ECN 17092	4/23/99
D	ECN 20249	12/17/04

UNLESS OTHERWISE NOTED DIMENSIONS ARE IN INCHES AND TOLERANCES ARE:		FSCM NO. <b>34078</b>		<b>MIDWEST MICROWAVE</b>	
3 PLACE DECIMALS ±.005		NOTICE: The information contained in this drawing is proprietary and must not be used without the permission of Midwest Microwave		TITLE  POWER DIVIDER	
2 PLACE DECIMALS ±.02					
FRACTIONS ±1/64		DRAWN/DATE A.BEATTY 3/2/95		ENG./DATE J.O'NEIL 3/13/95	
PARALLELITY: T.I.R. _____		CHECKED/DATE P.GOODMAN 3/6/95		APPROVED/DATE	
FLATNESS: T.I.R. _____		DRAWING NUMBER PWD-5532-02-NNN-79		SCALE: 1=1	
CONCENTRICITY: T.I.R. _____		ANGLES AND PERPENDICULARITY: ±1'		SHEET 1 of 1	