



Chipsmall Limited consists of a professional team with an average of over 10 year of expertise in the distribution of electronic components. Based in Hongkong, we have already established firm and mutual-benefit business relationships with customers from,Europe,America and south Asia,supplying obsolete and hard-to-find components to meet their specific needs.

With the principle of “Quality Parts,Customers Priority,Honest Operation,and Considerate Service”,our business mainly focus on the distribution of electronic components. Line cards we deal with include Microchip,ALPS,ROHM,Xilinx,Pulse,ON,Everlight and Freescale. Main products comprise IC,Modules,Potentiometer,IC Socket,Relay,Connector.Our parts cover such applications as commercial,industrial, and automotives areas.

We are looking forward to setting up business relationship with you and hope to provide you with the best service and solution. Let us make a better world for our industry!



## Contact us

Tel: +86-755-8981 8866 Fax: +86-755-8427 6832

Email & Skype: info@chipsmall.com Web: www.chipsmall.com

Address: A1208, Overseas Decoration Building, #122 Zhenhua RD., Futian, Shenzhen, China



NOTES:

1.0 ELECTRICAL SPECIFICATIONS:

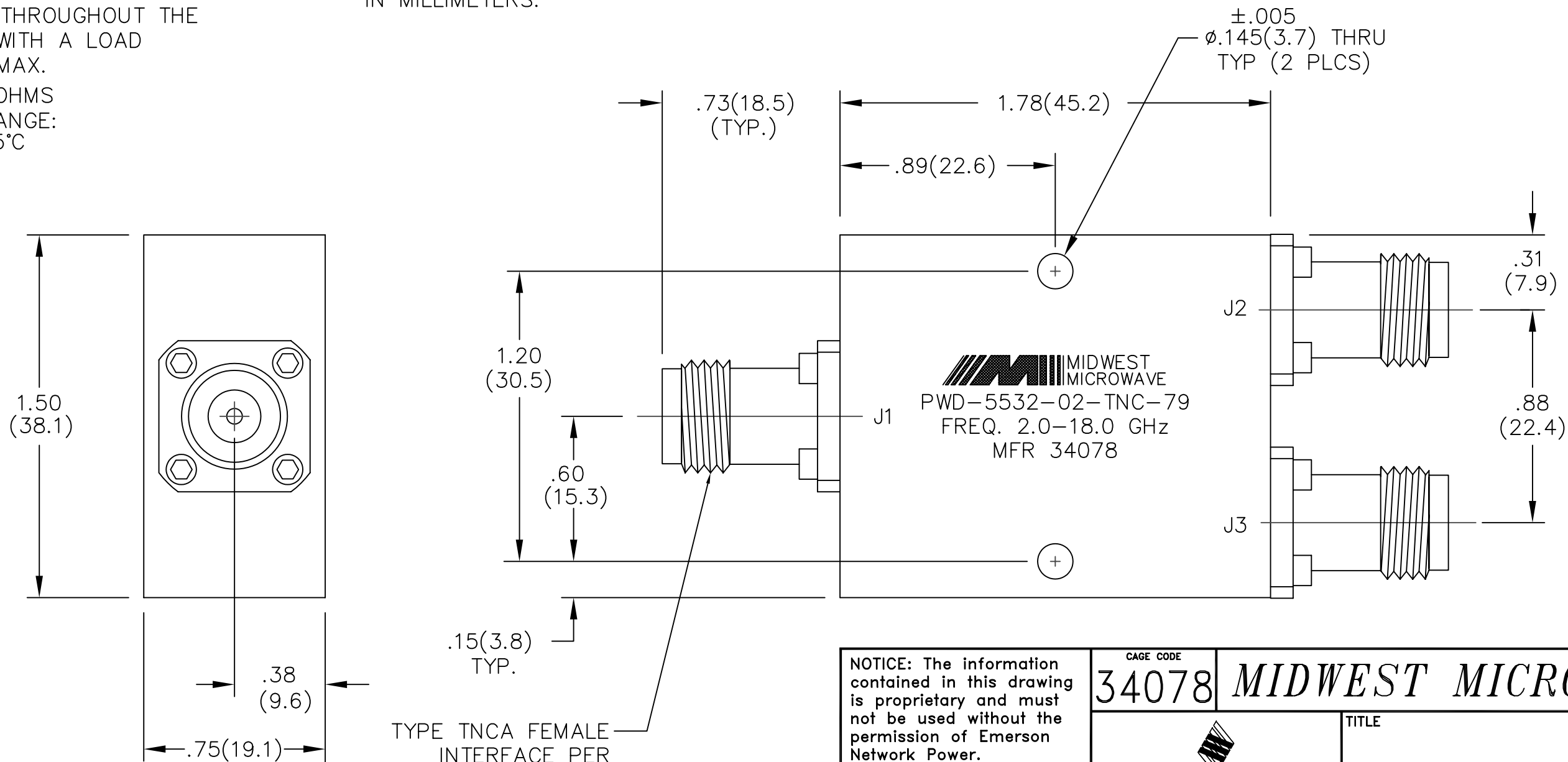
- 1.1 FREQUENCY RANGE: 2.0 to 18.0 GHz
- 1.2 INSERTION LOSS: 1.5dB MAX.
- 1.3 ISOLATION: 15dB MIN.
- 1.4 VSWR (MAX): 1.80:1
- 1.5 OUTPUT UNBALANCE:  
AMPLITUDE: 0.40dB MAX.  
PHASE: 10° MAX.
- 1.6 MAX. INPUT POWER:  
10 WATTS CW THROUGHOUT THE  
FREQ. RANGE WITH A LOAD  
VSWR OF 2:1 MAX.
- 1.7 IMPEDANCE: 50 OHMS
- 1.8 TEMPERATURE RANGE:  
-65°C to +125°C

2.0 FINISHING:

- 2.1 GREY PER MIL-E-15090 TYPE II, CLASS 2  
OVER MIL-C-5541 CLASS 3A  
MEETS MIL-F-14072  
MEETS MIL-E-5400

2.2 MARKING: MARK UNIT AS SHOWN

3.0 DIMENSIONS IN PARENTHESIS ARE  
IN MILLIMETERS.



TYPE TNCA FEMALE  
INTERFACE PER  
MIL-STD-348A  
FIG. 313-4  
(INTERFACE ALSO MEETS TYPE TNC 18.0 GHZ,  
GRADE 1, PER IEC 169-26, FIG. 2)  
TYP. (3 PLCS.)

**MIDWEST MICROWAVE**  
PWD-5532-02-TNC-79  
FREQ. 2.0-18.0 GHz  
MFR 34078

NOTICE: The information contained in this drawing is proprietary and must not be used without the permission of Emerson Network Power.

UNLESS OTHERWISE NOTED DIMENSIONS ARE IN INCHES AND TOLERANCES ARE:  
3 PLACE DECIMALS  $\pm .005$   
2 PLACE DECIMALS  $\pm .02$   
FRACTIONS  $\pm 1/64$   
PARALLELITY: T.I.R. \_\_\_\_\_  
FLATNESS: T.I.R. \_\_\_\_\_  
CONCENTRICITY: T.I.R. \_\_\_\_\_  
ANGLES AND PERPENDICULARITY:  $\pm 1^\circ$

CAGE CODE <b>34078</b>		<b>MIDWEST MICROWAVE</b>	
		TITLE POWER DIVIDER OUTLINE DRAWING	
		DRAWING NUMBER PWD-5532-02-TNC-79-01	
DRAWN/DATE A.BEATTY 3/13/96	ENG./DATE J.O'NEIL 3/19/96	DRAWING NUMBER PWD-5532-02-TNC-79-01	REV. D
CHECKED/DATE	APPROVED/DATE	SCALE: 5=1	SHEET 1 of 1

REV.	DESCRIPTION	DATE
-	RELEASED	11/3/96
-1	ADDED TITLEBLOCK	7/20/05
A	ECN 20777	3/23/06
C	ECO 22746	10/27/10
D	ECO 23013	12/15/10