



Chipsmall Limited consists of a professional team with an average of over 10 year of expertise in the distribution of electronic components. Based in Hongkong, we have already established firm and mutual-benefit business relationships with customers from,Europe,America and south Asia,supplying obsolete and hard-to-find components to meet their specific needs.

With the principle of “Quality Parts,Customers Priority,Honest Operation,and Considerate Service”,our business mainly focus on the distribution of electronic components. Line cards we deal with include Microchip,ALPS,ROHM,Xilinx,Pulse,ON,Everlight and Freescale. Main products comprise IC,Modules,Potentiometer,IC Socket,Relay,Connector.Our parts cover such applications as commercial,industrial, and automotives areas.

We are looking forward to setting up business relationship with you and hope to provide you with the best service and solution. Let us make a better world for our industry!



Contact us

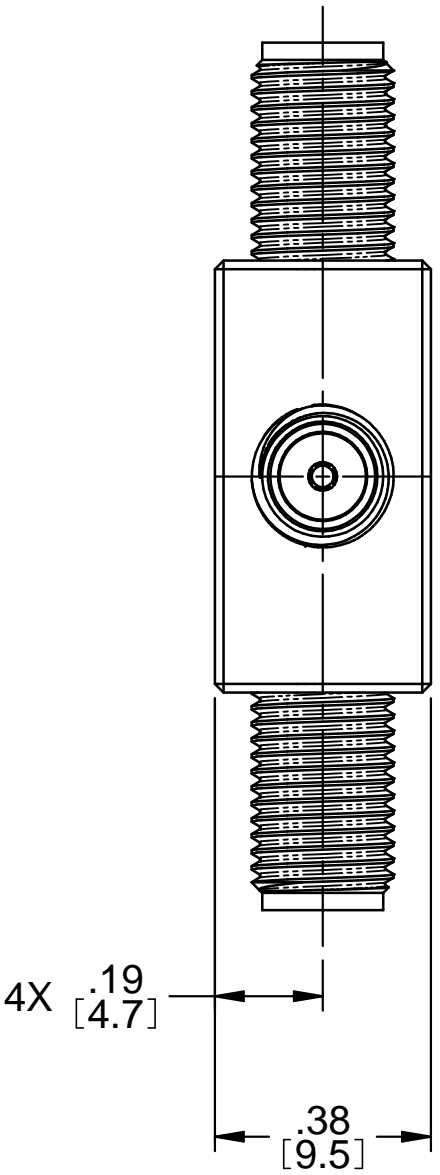
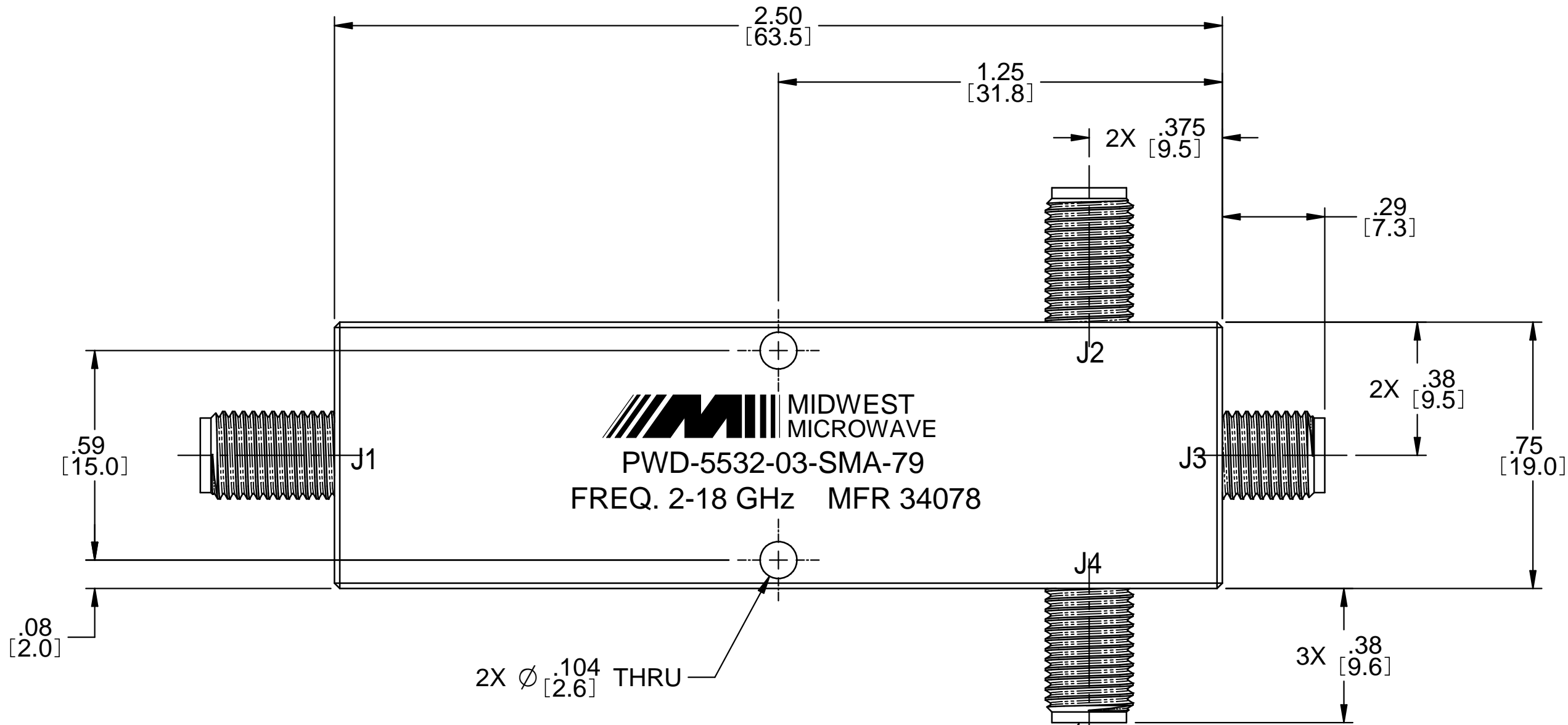
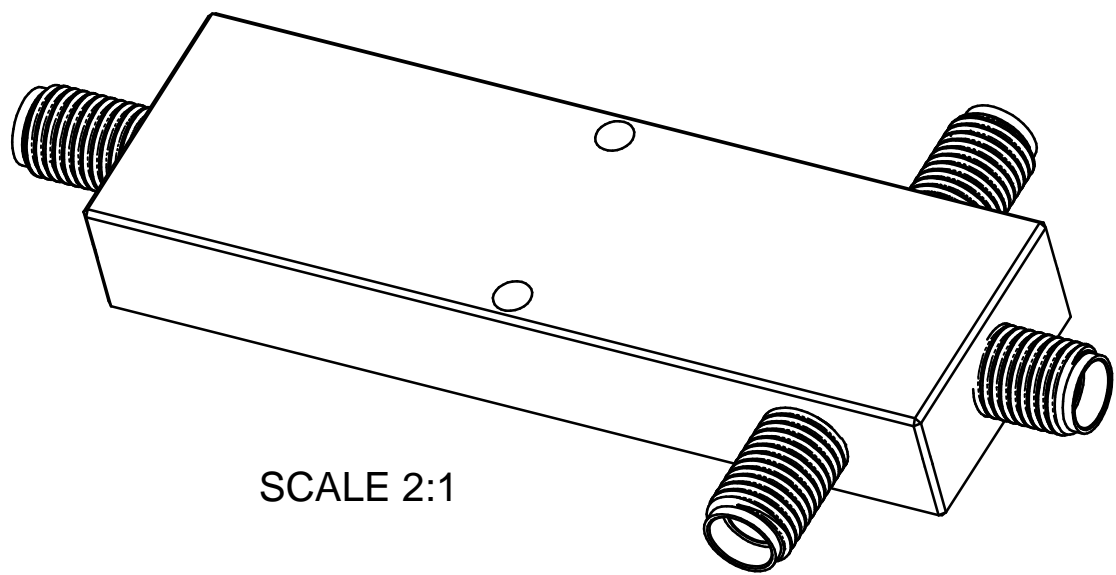
Tel: +86-755-8981 8866 Fax: +86-755-8427 6832

Email & Skype: info@chipsmall.com Web: www.chipsmall.com

Address: A1208, Overseas Decoration Building, #122 Zhenhua RD., Futian, Shenzhen, China



ZONE	REV	ECO	DESCRIPTION	APPR.	DATE
	C	18601			10/30/02
	D	23117			12/22/10
	E	24395		JRK	8/13/12



NOTES: UNLESS OTHERWISE SPECIFIED.

1. ELECTRICAL SPECIFICATIONS:
 - 1.1 FREQUENCY RANGE: 2.0 TO 18.0 GHz
 - 1.2 INSERTION LOSS: 1.0 dB MAX.
 - 1.3 ISOLATION: 20 dB MIN.
 - 1.4 VSWR: 1.50:1 MAX.
 - 1.5 OUTPUT UNBALANCE:
 - 1.5.1 AMPLITUDE: 0.5 dB MAX.
 - 1.5.2 PHASE: 5° MAX.
 - 1.6 MAXIMUM INPUT POWER:
 - 5 WATTS WITH OUTPUT LOAD VSWR ≤ 2.0:1
 - 10 WATTS WITH OUTPUT LOAD VSWR ≤ 1.5:1
 - 20 WATTS WITH OUTPUT LOAD VSWR ≤ 1.4:1
 - 30 WATTS WITH OUTPUT LOAD VSWR ≤ 1.2:1
 - 1.7 OPERATING TEMP. RANGE: -65°C TO +125°C

2. FINISHING: GRAY OVER MIL-E-15090 TYPE II, CLASS 2 OVER MIL-C-5541 CLASS 3A. MEETS MIL-F-14072 AND MIL-E-5400.
 - 2.1 MARK UNIT AS SHOWN.

3. DIMENSIONS IN BRACKETS ARE MILLIMETERS.

OUTLINE DRAWING

	Model No. PWD-5532-03-SMA-79		MIDWEST MICROWAVE		
	Cage Code 34078		Title POWER DIVIDER		Material
<small>This PROPRIETARY Document is property of Emerson Network Power Connectivity Solutions. It is confidential in nature, non-transferable, and issued with the clear understanding that it is not traced or copied without permission and is returnable upon demand.</small>	UNLESS OTHERWISE SPECIFIED UNITS: INCHES .XX ±.02 .XXX ±.005 ANGLES ±1°		3RD ANGLE PROJECTION - ⊕ -		Drawing No. PWD-5532-03-SMA-79-01
	Drawn by CWW	Date 10/3/12	Rev. E	Finish	
	Approved by JRK	Date 10/4/12	Size C	DO NOT SCALE DRAWING	Scale 3:1