



Chipsmall Limited consists of a professional team with an average of over 10 year of expertise in the distribution of electronic components. Based in Hongkong, we have already established firm and mutual-benefit business relationships with customers from,Europe,America and south Asia,supplying obsolete and hard-to-find components to meet their specific needs.

With the principle of “Quality Parts,Customers Priority,Honest Operation,and Considerate Service”,our business mainly focus on the distribution of electronic components. Line cards we deal with include Microchip,ALPS,ROHM,Xilinx,Pulse,ON,Everlight and Freescale. Main products comprise IC,Modules,Potentiometer,IC Socket,Relay,Connector.Our parts cover such applications as commercial,industrial, and automotives areas.

We are looking forward to setting up business relationship with you and hope to provide you with the best service and solution. Let us make a better world for our industry!



## Contact us

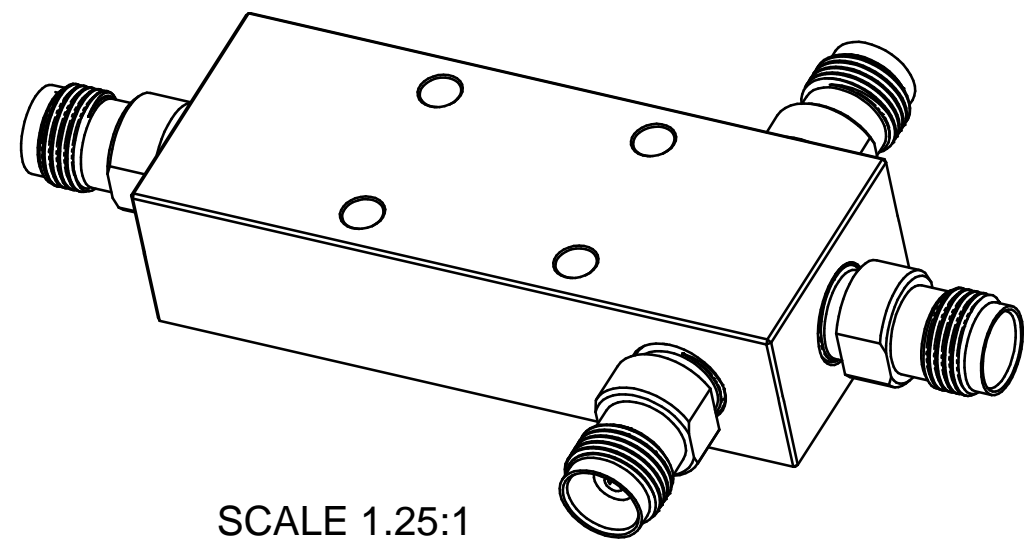
Tel: +86-755-8981 8866 Fax: +86-755-8427 6832

Email & Skype: info@chipsmall.com Web: www.chipsmall.com

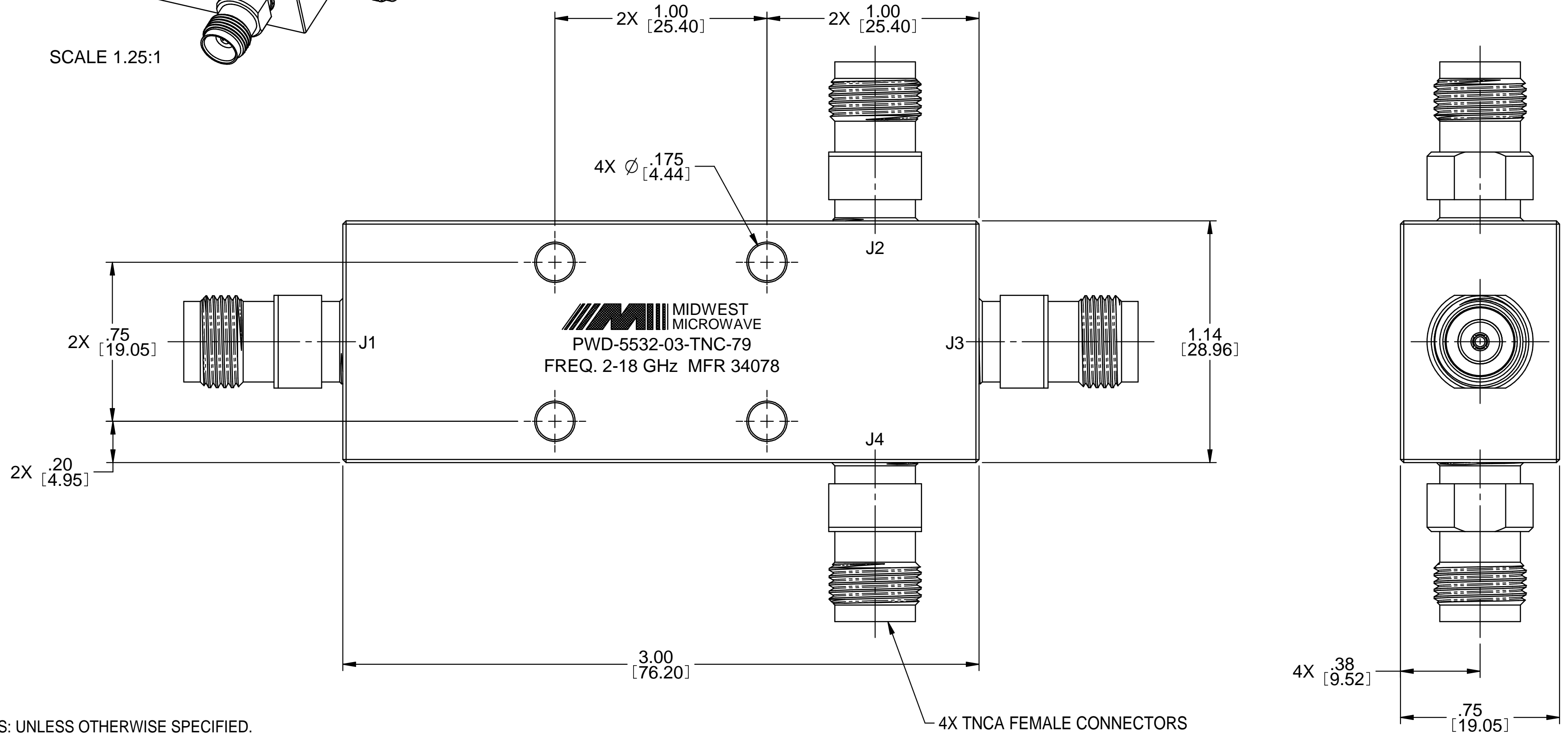
Address: A1208, Overseas Decoration Building, #122 Zhenhua RD., Futian, Shenzhen, China



REV	ECO	DATE
A	24442	9/16/12
B	24750	5/2/13



SCALE 1.25:1



NOTES: UNLESS OTHERWISE SPECIFIED.

1. ELECTRICAL SPECIFICATIONS:
  - 1.1 FREQUENCY RANGE: 2.0 TO 18.0 GHz
  - 1.2 INSERTION LOSS: 1.2 dB MAX.
  - 1.3 ISOLATION: 18 dB MIN.
  - 1.4 VSWR: 1.80:1 MAX.
  - 1.5 OUTPUT UNBALANCE:
    - 1.5.1 AMPLITUDE: 0.6 dB
    - 1.5.2 PHASE: 10° MAX.
  - 1.6 MAXIMUM INPUT POWER: 30.0 WATTS (WITH OUTPUT LOADS OF  $\leq$  2.0:1)
  - 1.7 OPERATING TEMP. RANGE: -65°C TO +125°C

2. FINISHING:
  - 2.1 GRAY OVER MIL-E-15090 TYPE II, CLASS 2 OVER MIL-C-5541 CLASS 3A. MEETS MIL-F-14072 & MIL-E-5400.
  - 2.1 MARK UNIT AS SHOWN.

3. DIMENSION IN BRACKETS ARE MILLIMETERS.

OUTLINE DRAWING

<p>This PROPRIETARY Document is property of Emerson Network Power Connectivity Solutions. It is confidential in nature, non-transferable, and issued with the clear understanding that it is not traced or copied without permission and is returnable upon demand.</p>	Model No. <b>PWD-5532-03-TNC-79</b>		<b>MIDWEST MICROWAVE</b>		
	Cage Code <b>34078</b>		Title <b>POWER DIVIDER</b>	Material	
	3RD ANGLE PROJECTION - ⊕ -		Drawing No. <b>PWD-5532-03-TNC-79-01</b>	Rev. <b>B</b>	Finish
	UNLESS OTHERWISE SPECIFIED UNITS: INCHES .XX ±.02 .XXX ±.005 ANGLES ±1°	Drawn by <b>CWW</b>	Date <b>8/13/13</b>	Size <b>C</b>	DO NOT SCALE DRAWING
Approved by <b>PAK</b>		Date <b>8/14/13</b>	Scale <b>2.5:1</b>	Sheet 1 of 1	