



Chipsmall Limited consists of a professional team with an average of over 10 year of expertise in the distribution of electronic components. Based in Hongkong, we have already established firm and mutual-benefit business relationships with customers from,Europe,America and south Asia,supplying obsolete and hard-to-find components to meet their specific needs.

With the principle of “Quality Parts,Customers Priority,Honest Operation,and Considerate Service”,our business mainly focus on the distribution of electronic components. Line cards we deal with include Microchip,ALPS,ROHM,Xilinx,Pulse,ON,Everlight and Freescale. Main products comprise IC,Modules,Potentiometer,IC Socket,Relay,Connector.Our parts cover such applications as commercial,industrial, and automotives areas.

We are looking forward to setting up business relationship with you and hope to provide you with the best service and solution. Let us make a better world for our industry!



Contact us

Tel: +86-755-8981 8866 Fax: +86-755-8427 6832

Email & Skype: info@chipsmall.com Web: www.chipsmall.com

Address: A1208, Overseas Decoration Building, #122 Zhenhua RD., Futian, Shenzhen, China





POWERWHITE DRIVER



FEATURES / BENEFITS

- ▲ **Universal input** 90 to 264VAC
- ▲ **High output power** 60 watts
- ▲ **Current options** 350mA or 700mA versions
- ▲ **High Reliability** No electrolytic capacitors
- ▲ **IP6X** Fully en-capsulated construction
- ▲ **ETL** UL1012 Pending
- ▲ **Lifesaver** LED thermal feedback protection
- ▲ **LED constant current driver**

OPERATING CONDITIONS

- ▲ Operating ambient -20°C to +50°C
- ▲ Storage temperature -40°C to +100°C
- ▲ Operating case temperature +85°C max
- ▲ Non-isolated output

APPLICATION

- ▲ Roadway lighting
- ▲ Street lighting
- ▲ Sign lighting
- ▲ Architectural lighting and display lighting

DESCRIPTIONS

- ▲ **USA Version:**
Black hard anodized die cast housing
encapsulation: UL recognized 94V-0 material
1x 6 pre-attached Micro fit 3connector
UL1015 18 gauge 105C primary wires (for US version)
(Black and White primary wires)
Prefitted earth ground screw (For US version)
#4 screws required for mounting
- ▲ **European version:**
Black hard anodized die cast housing
encapsulation: UL recognized 94V-0 material
1x 6 pre-attached Micro fit 3connector
Primary wires Colour Code
Wire 1 :Live
Wire 2 :Neutral
Green/Yellow: Earth
M4 screws required for mounting

MECHANICAL DIMENSIONS

- ▲ Actual size: 7.51" (191mm) x 2.08" (53mm) x 1.3" (33mm)
- ▲ Input cable length: 19.6" (500mm)
- ▲ Output cable length: 19.6" (500mm)
- ▲ All fixing points M4 diameter

see page 2 for recommended mounting layout

ORDERING INFORMATION

USA version Part Numbers:-

- PWD-60-1-35-P-US** (350mA output)
- PWD-60-1-70-P-US** (700mA output)

European version Part Numbers:-

- PWD-60-1-35-P** (350mA output)
- PWD-60-1-70-P** (700mA output)

Dialight reserves the right to make changes at any time in order to supply the best product possible.

Dialight Europe Ltd

Exning Road • Newmarket • Suffolk, United Kingdom, CB8 0AX
Tel : +44 (0)1638 666541 • www.dialight.com



Dialight Corporation

1501 Route 34 South • Farmingdale, NJ 07727 USA
Tel: (1) 732-919-3119 • Fax: (1) 732-751-5778 • www.dialight.com



MDEXLUMPWD_B

ELECTRICAL SPECIFICATIONS

Operating Voltage: 90 to 264VAC
 Frequency: 50/60Hz (47 to 63Hz)
 Power Factor: > .95
 Input Current: .68amps at 90 VAC
 at full load .27amps at 230 VAC
 THD: < 20%
 Thermistor Option: 4.7k NTC for 70°C +/- 5% cutoff
 10.0k NTC for 90°C +/- 5% cutoff

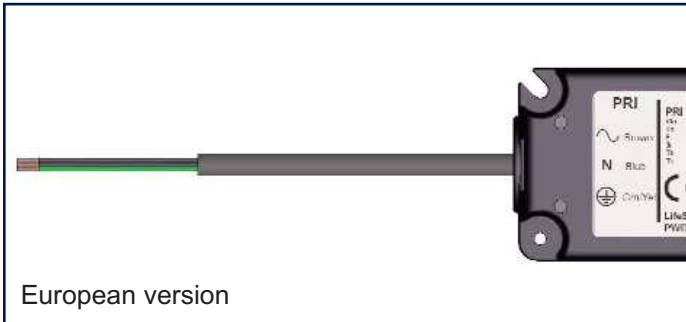
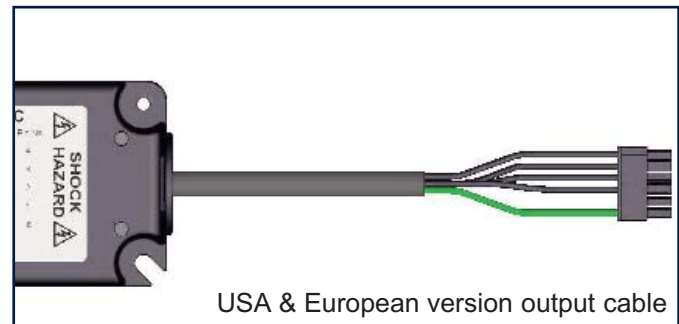
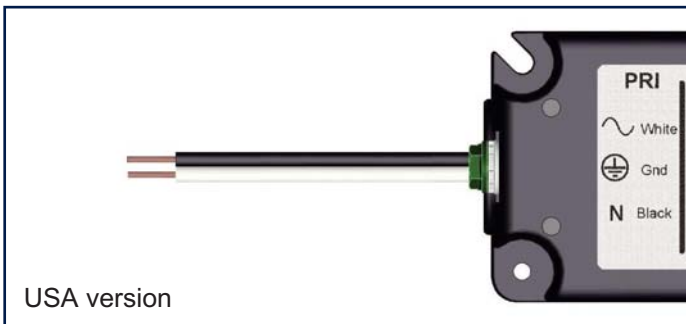
Output Voltage: 55 - 180VDC max at 350mA
 20 - 104VDC max at 700mA
 Min / Max Power: 20 - 60 watts
 Output Current : 350mA +/- 5% typical
 700mA +/- 5% typical
 Number of LEDs: 17 to 48 at 350mA*
 8 to 26 at 700mA*

**Based on a typical LED forward voltage of 3.2V - 3.5V*

Driver Efficiency at 350mA (230V INPUT)	
Number of LED's	Efficiency
18	85%
24	87%
48	89%

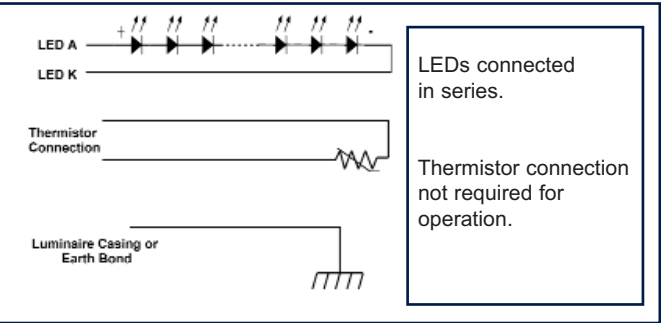
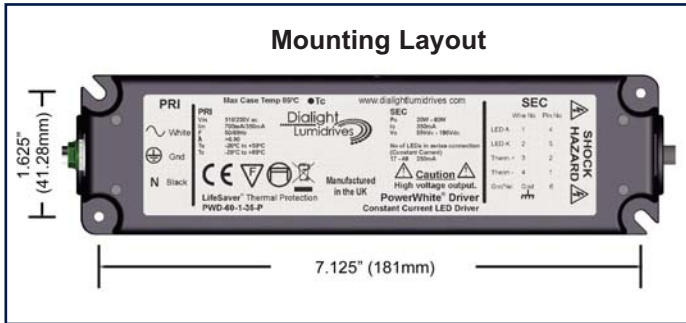
Driver Efficiency at 700mA (230V INPUT)	
Number of LED's	Efficiency
12	85%
18	89%
24	91%

WIRING DETAILS



The output cable is fitted with a 6x1 Micro-fit 3.0 Molex (Molex Part No. 436450600) connector (illustration shown) this can be removed if required. Output connection detail.

LED A (+)	Wire 1	Pin 4
LED K (-)	Wire 2	Pin 3
Therm +	Wire 3	Pin 2
Therm -	Wire 4	Pin 1
Ground	Grn/Yel	Pin 6



Dialight Europe Ltd

Exning Road • Newmarket • Suffolk, United Kingdom, CB8 0AX

Tel : +44 (0)1638 666541 • www.dialight.com



Dialight Corporation

1501 Route 34 South • Farmingdale, NJ 07727 USA

Tel: (1) 732-919-3119 • Fax: (1) 732-751-5778 • www.dialight.com



MDEXLUMPWD_B