



Chipsmall Limited consists of a professional team with an average of over 10 year of expertise in the distribution of electronic components. Based in Hongkong, we have already established firm and mutual-benefit business relationships with customers from,Europe,America and south Asia,supplying obsolete and hard-to-find components to meet their specific needs.

With the principle of "Quality Parts,Customers Priority,Honest Operation,and Considerate Service",our business mainly focus on the distribution of electronic components. Line cards we deal with include Microchip,ALPS,ROHM,Xilinx,Pulse,ON,Everlight and Freescale. Main products comprise IC,Modules,Potentiometer,IC Socket,Relay,Connector.Our parts cover such applications as commercial,industrial, and automotives areas.

We are looking forward to setting up business relationship with you and hope to provide you with the best service and solution. Let us make a better world for our industry!



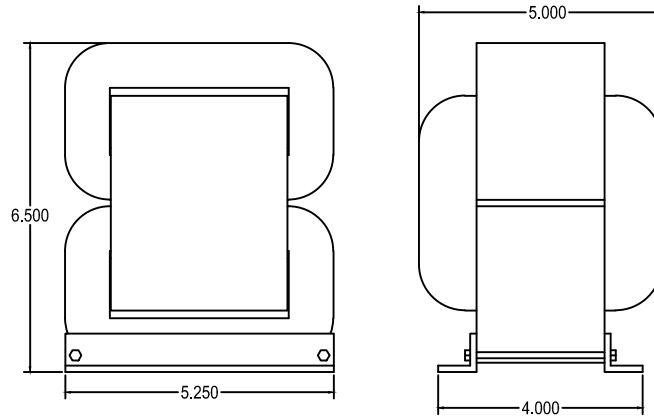
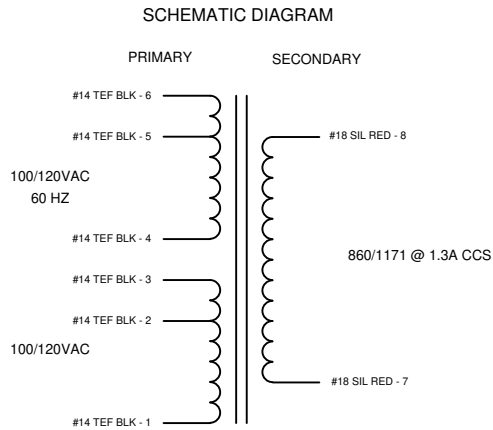
Contact us

Tel: +86-755-8981 8866 Fax: +86-755-8427 6832

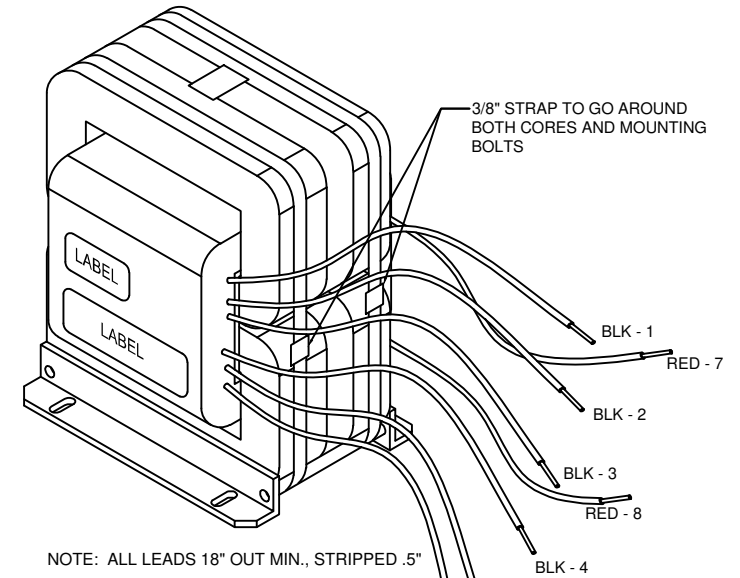
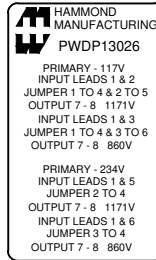
Email & Skype: info@chipsmall.com Web: www.chipsmall.com

Address: A1208, Overseas Decoration Building, #122 Zhenhua RD., Futian, Shenzhen, China

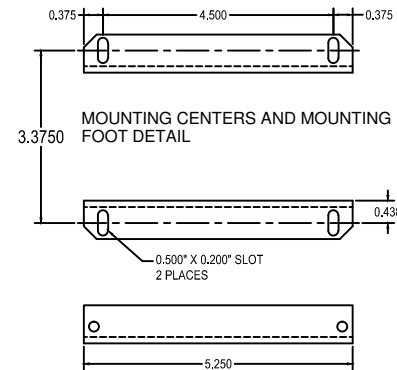




WIRES NOT SHOWN IN THIS VIEW



NOTE: ALL LEADS 18" OUT MIN., STRIPPED .5"



ELECTRICAL DATA:		
TESTS	CONDITIONS	ACCEPTANCE CRITERIA
SEC N.L.V.	@117V INPUT 1 - 2, JUMPER 1 TO 4 AND 2 TO 5	7 TO 8 = 1183V ±2%
	@117V INPUT 1 - 3, JUMPER 1 TO 4 AND 3 TO 6	7 TO 8 = 887V ±2%
	@234V INPUT 1 - 5, JUMPER 2 TO 4	7 TO 8 = 1183V ±2%
	@117V INPUT 1 - 6, JUMPER 3 TO 4	7 TO 8 = 887V ±2%
DCR	1 - 3 =	0.258 ±20%
IN OHMS	4 - 6 =	0.300 ±20%
	7 - 8 =	13.8 ±20%
HIPOT	PRIMARY - CORE	3500V, 60Hz, 1 SEC
	SEC - CORE	7000V, 60Hz, 1 SEC
	PRI - SEC	7000V, 60Hz, 1 SEC
	PRI - PRI	3500V, 60Hz, 1 SEC

PROPERTY AND COPYRIGHT NOTICE

THIS DRAWING AND THE INFORMATION IT CONVEYS ARE THE PROPERTY OF HAMMOND MANUFACTURING. IT MAY NOT BE REPRODUCED, TRANSMITTED OR USED IN ANY MANNER WHATSOEVER WITHOUT THE WRITTEN PERMISSION OF HAMMOND MANUFACTURING.

REV	NOTES	BY	DATE	REV	NOTES	BY	DATE
1	CORRECTED DIMENSION TABLE	CB	05/07/14				
2	REVISED MOUNTING BRACKET	CB	06/19/14				
3	REVISED MOUNTING BRACKET	CB	06/25/14				

HAMMOND MANUFACTURING ELECTRONIC DIVISION
52 RANKIN PLACE, WATERLOO, ONTARIO, N2J 3Z5
PHONE: 519.886.6181 FAX: 519.886.9540

EDB PWDP13026

DRAWN CBACIK	DATE 05/23/14	NUMBER PWDP13026
APPROVED	DATE	