



Chipsmall Limited consists of a professional team with an average of over 10 year of expertise in the distribution of electronic components. Based in Hongkong, we have already established firm and mutual-benefit business relationships with customers from,Europe,America and south Asia,supplying obsolete and hard-to-find components to meet their specific needs.

With the principle of “Quality Parts,Customers Priority,Honest Operation,and Considerate Service”,our business mainly focus on the distribution of electronic components. Line cards we deal with include Microchip,ALPS,ROHM,Xilinx,Pulse,ON,Everlight and Freescale. Main products comprise IC,Modules,Potentiometer,IC Socket,Relay,Connector.Our parts cover such applications as commercial,industrial, and automotives areas.

We are looking forward to setting up business relationship with you and hope to provide you with the best service and solution. Let us make a better world for our industry!



Contact us

Tel: +86-755-8981 8866 Fax: +86-755-8427 6832

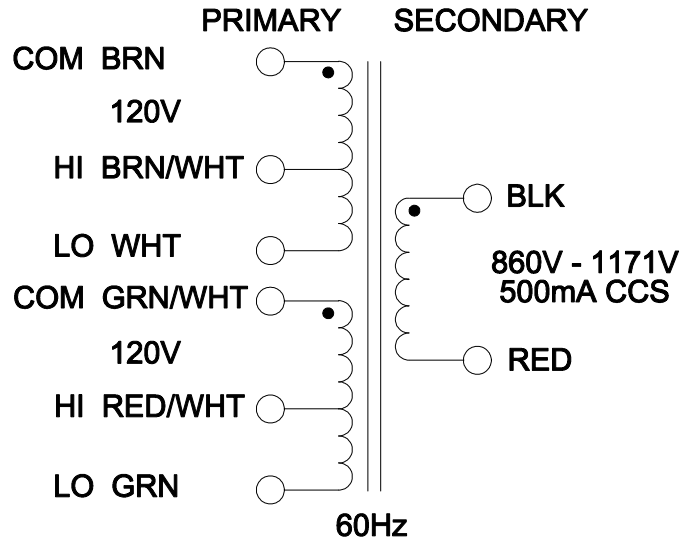
Email & Skype: info@chipsmall.com Web: www.chipsmall.com

Address: A1208, Overseas Decoration Building, #122 Zhenhua RD., Futian, Shenzhen, China

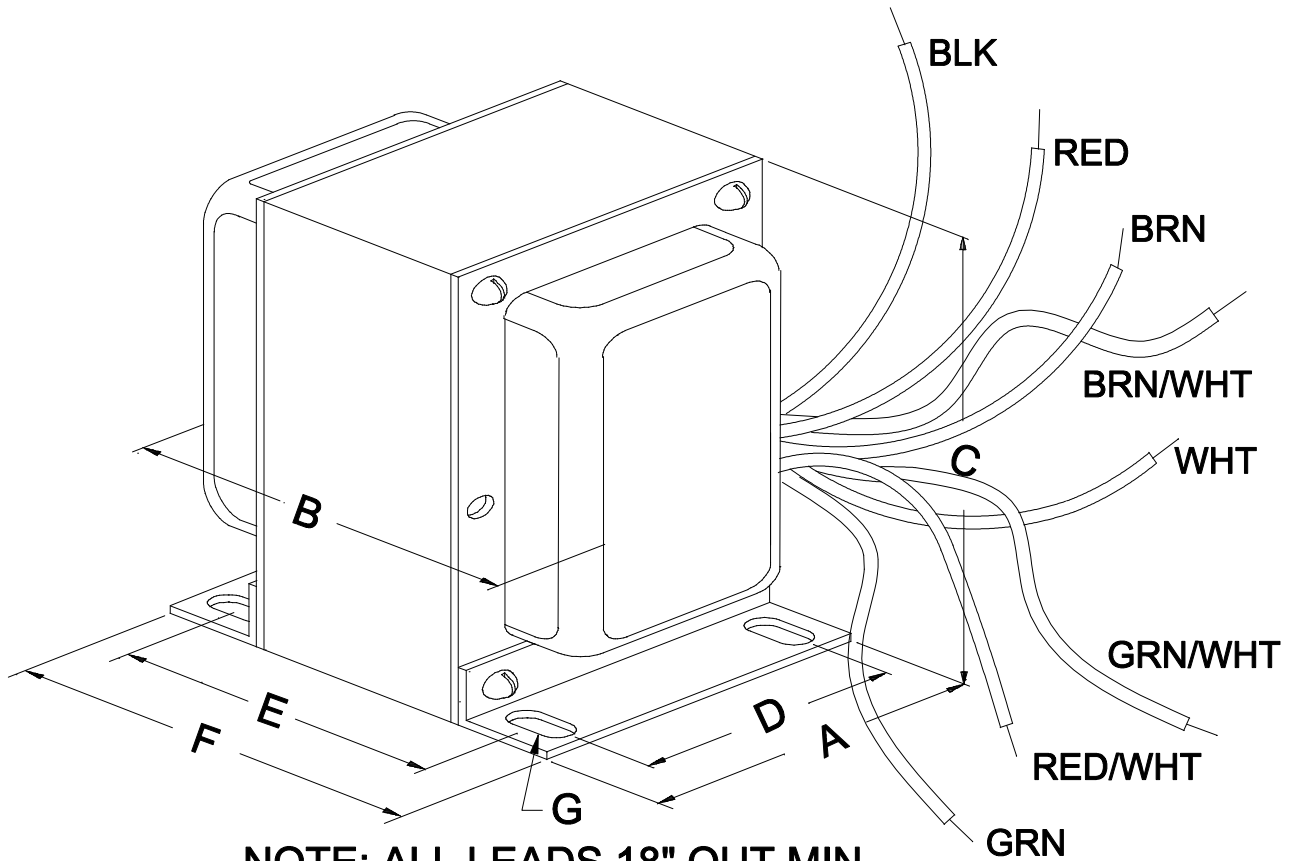


PWDP13034

DIMENSIONS:	
A	4.375" ±0.063
B	5.875" ±0.125
C	5.250" ±0.063
D	3.563" ±0.063
E	4.500" ±0.063
F	5.250" ±0.063
G	0.250" X 0.375" ±0.015



11 **PWDP13034**
HEATH SB-220 ORIGINAL
 PRI: 117V/234V 60Hz
 PRI #1: BRN: COM; BRN/WHT: HI; WHT: LO
 PRI #2: GRN/WHT: COM; RED/WHT: HI; GRN: LO
 SEC: BLK-RED: 860V - 1171V 500mA CCS
 MADE IN CANADA DATE



NOTE: ALL LEADS 18" OUT MIN.

11 **HAMMOND**
MANUFACTURING™

ELECTRONIC DIVISION
 52 RANKIN PLACE,
 WATERLOO, ONTARIO, N2J 3Z5
 PH # (519) 886-6181
 FAX # (519) 886-9540

TITLE

HEATH SB-220
 FACTORY ORIGINAL

NO	DATE	REVISION	DWG. BY
0	09/18/14	RELEASED. C.I.	CORINA ILIE
			DATE
			09/18/14
			DIM IN()MM()

PWDP13034