



Chipsmall Limited consists of a professional team with an average of over 10 year of expertise in the distribution of electronic components. Based in Hongkong, we have already established firm and mutual-benefit business relationships with customers from,Europe,America and south Asia,supplying obsolete and hard-to-find components to meet their specific needs.

With the principle of “Quality Parts,Customers Priority,Honest Operation,and Considerate Service”,our business mainly focus on the distribution of electronic components. Line cards we deal with include Microchip,ALPS,ROHM,Xilinx,Pulse,ON,Everlight and Freescale. Main products comprise IC,Modules,Potentiometer,IC Socket,Relay,Connector.Our parts cover such applications as commercial,industrial, and automotives areas.

We are looking forward to setting up business relationship with you and hope to provide you with the best service and solution. Let us make a better world for our industry!



Contact us

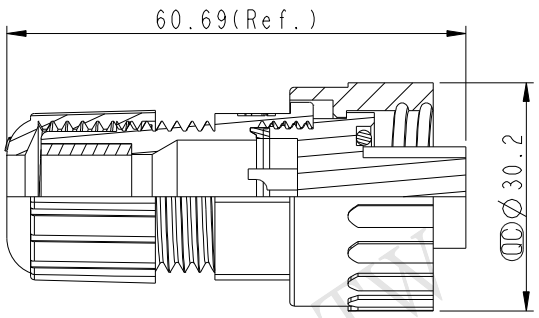
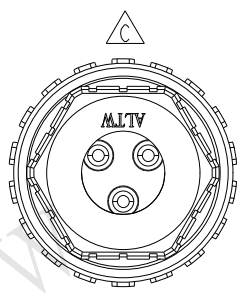
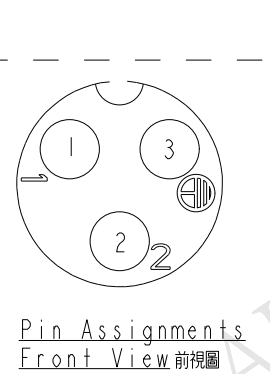
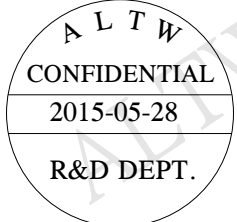
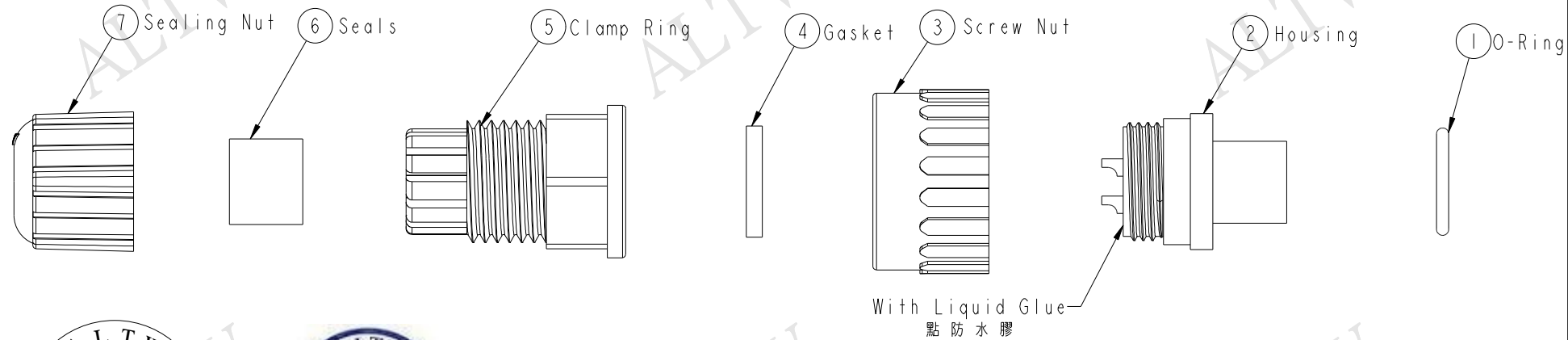
Tel: +86-755-8981 8866 Fax: +86-755-8427 6832

Email & Skype: info@chipsmall.com Web: www.chipsmall.com

Address: A1208, Overseas Decoration Building, #122 Zhenhua RD., Futian, Shenzhen, China



REV.	ECN NO.	DATE	SIGN	DESCRIPTION
B	LEN-870143	2008/07/25	Yuri	Update Drawing
C	LEN1580262	2015/05/28	Jinhai	Change Logo



- Note:
- * Waterproof Rate : IP67
 - * (CC) Important Dimension.
(CC 為重點檢驗尺寸)
 - * Seals for Cable OD: $\varnothing 5.5\text{mm} \sim \varnothing 10.8\text{mm}$
(防水墊圈限用線徑: $\varnothing 5.5\text{mm} \sim \varnothing 10.8\text{mm}$)
 - * One Set Unassembled in One LTW Sealed Bag
(每一組未組裝, 放置於一個LTW封口袋)
 - * Housing: Nylon+GF, Black
 - * Female Pin: Copper Alloy, Gold Plated
 - * O-ring: EPDM, Black
 - * Screw Nut: Nylon+GF, Black
 - * Gasket: Silicone, Black
 - * Clamp Ring: Nylon, Black
 - * Seals: EPDM, Black
 - * Sealing Nut: Nylon, Black

UNIT:mm		
TOLERANCE		
±0.5 mm		

TITLE Power, Assy Screw 3Pin F Conn F Pin			
SCALE 1:1	SIZE A4	SHEET 1 OF 1	
REV. C	WC-REV. A.2	(CC): Inspection item	

Amphenol LTW
安費諾亮泰企業股份有限公司

ITEM NO PWF-03BFFA-SL7001	DRAWN BY Jinhai	DATE 2015-05-28
DWG NO PWF-03BFFA-SL7001	CHECKED BY Tom	DATE 2015-05-28
CUSTOMER ALTW	APPROVED BY Jerry	DATE 2015-05-28

THIS DOCUMENT IS SUBJECT TO CHANGE WITHOUT NOTICE. IT IS CONFIDENTIAL AND A PROPERTY OF AMPHENOL LTW. DISCLOSURE TO THIRD PARTY HAS TO BE AUTHORIZED BY AMPHENOL LTW.